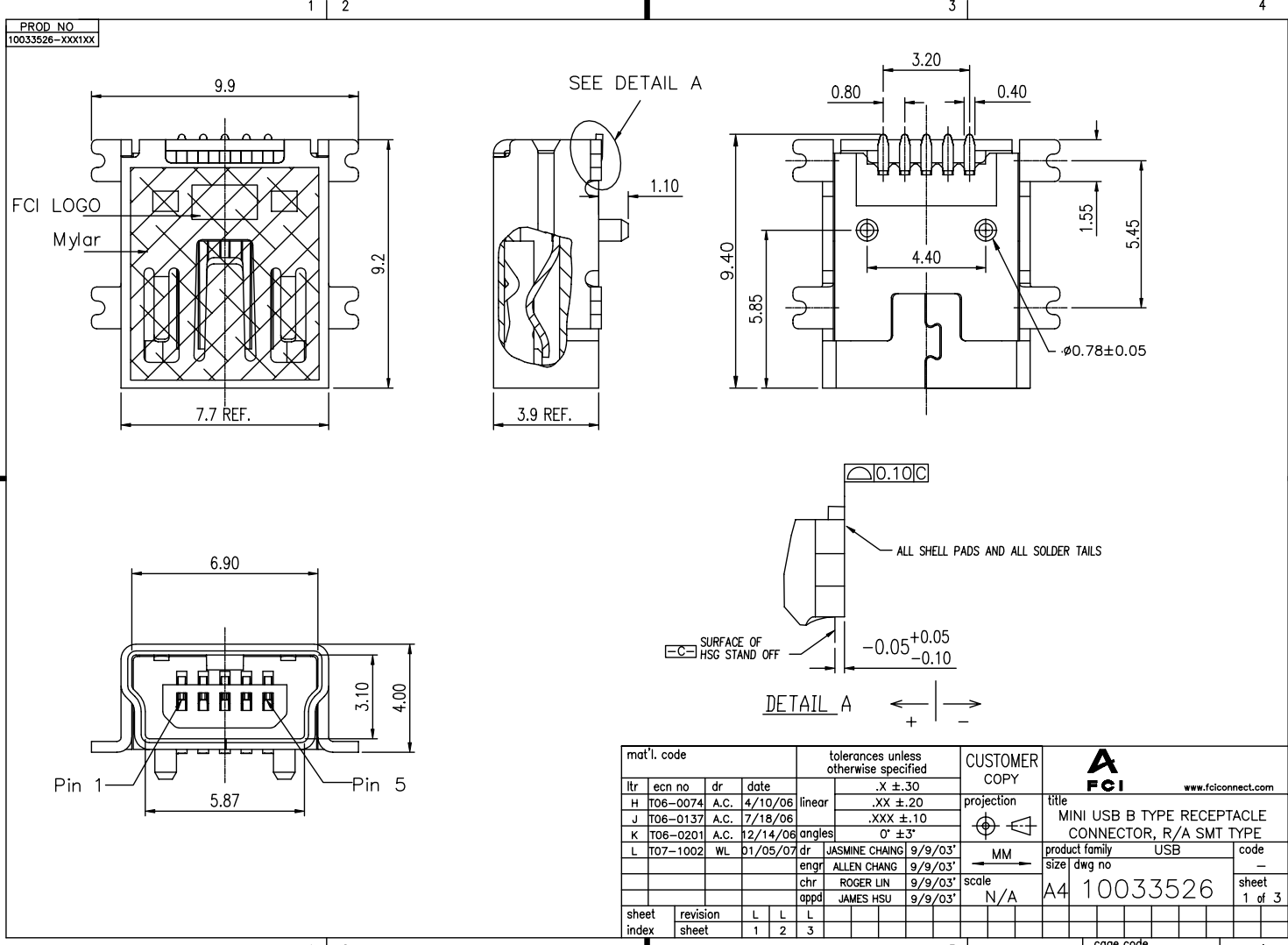


Tous droits strictement réservés. Reproduction ou communication à des tiers interdite sous quelque forme que ce soit sans autorisation écrite du propriétaire. Propriété de © FCI. Droits de reproduction FCI.

All rights strictly reserved. Reproduction or issue to third parties in any form whatever is not permitted without written authority from the proprietor. Property of FCI. Copyright FCI.



mat'l. code				tolerances unless otherwise specified		CUSTOMER COPY		FCI	
ltr	ecn no	dr	date	linear	.X ±.30	projection	title	www.fciconnect.com	
H	T06-0074	A.C.	4/10/06		.XX ±.20		MINI USB B TYPE RECEPTACLE CONNECTOR, R/A SMT TYPE		
J	T06-0137	A.C.	7/18/06		.XXX ±.10				
K	T06-0201	A.C.	12/14/06	angles	0° ±3°		product family USB	code	
L	T07-1002	WL	01/05/07	dr	JASMINE CHANG 9/9/03'			size	dwg no
				enrg	ALLEN CHANG 9/9/03'	MM			
				chr	ROGER LIN 9/9/03'	scale			
				appd	JAMES HSU 9/9/03'	N/A	A4	10033526	sheet 1 of 3
sheet index	revision sheet	L	L	L				cage code	
		1	2	3				22526	4

ACAD PDM: Rev:L STATUS Released 22526 Printed: Oct 08, 2008

Tous droits strictement réservés. Reproduction ou communication a des tiers interdite sous quelque forme que ce soit sans autorisation écrite du propriétaire. Property of FCI. Droits de reproduction FCI.

All rights strictly reserved. Reproduction or issue to third parties in any form whatever is not permitted without written authority from the proprietor. Property of FCI. Copyright FCI.

PROD NO
SEE NOTES

1 | 2

3

4

NOTES:

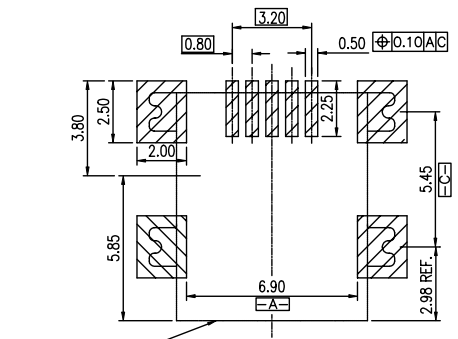
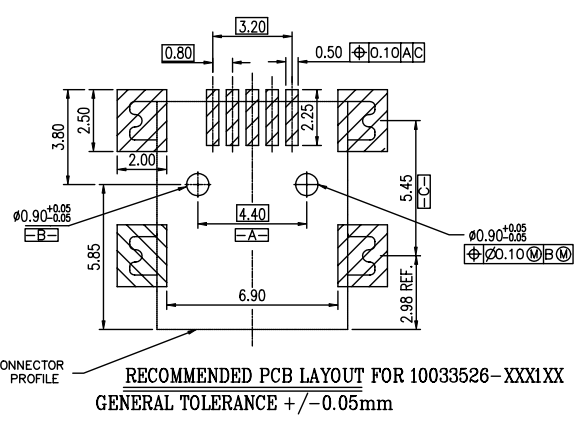
1. MATERIAL:
HOUSING: THERMOPLASTIC. UL 94V-0 RATED, COLOR: BLACK.
CONTACT: COPPER ALLOY.
SHELL: COPPER ALLOY
MYLAR: KAPTON TAPE.
2. FINISH:
CONTACT: UNDERPLATED 50u" MIN. NICKEL OVERALL
100u" MIN. MATTE TIN PLATED ON SOLDERING AREA,
SELECTIVE GOLD PLATED ON CONTACT AREA.
SHIELD: CODE N: PLATED NICKEL WITH 40u" MIN. THICK,
OVER 100u" THICKNESS Cu.
3. 10033526-N3212XLF MEETS THE EUROPEAN UNION DIRECTIVE AS DESCRIBE
IN GS-22-008 AND ITS HSG WILL WITHSTAND EXPOSE TO 260 DEGREE C
PEAK TEMPERATURE FOR 10 SECONDS IN A IR REFLOW APPLICATION.
4. PRODUCT SPEC: GS-12-174 ; PACKAGE SPEC: GS-14-873.

5. PRODUCT ORDERING DATA :

FOR LEAD-FREE

10033526 - N X X X X M LF LF: Lead Free

- M: WITH MYLAR
BLANK: WITHOUT MYLAR
- PACKAGING METHOD:
2: TAPE & REEL PACKAGING
- POST OPTION:
1: WITH PLASTIC POST.
2: WITHOUT PLASTIC POST.
- HSG MATERIAL:
2: HIGH TEMP THERMOPLASTIC
- PLATING IN CONTACT AREA:
3: 30u" Au.
N: NICKEL.



mat'l. code				tolerances unless otherwise specified		CUSTOMER COPY		 www.fciconnect.com	
ltr	ecn no	dr	date	linear	.X ±.30	projection	title		
L					.XX ±.20		MINI USB B TYPE RECEPTACLE CONNECTOR, R/A SMT TYPE		
				angles	.XXX ±.10		product family	code	
				dr	0' ±3'	MM	USB		
				enr	JASMINE CHANG 9/9/03'		size	dwg no	
				chr	ALLEN CHANG 9/9/03'		A4	10033526	sheet 2 of
				appd	ROGER LIN 9/9/03'	scale	N/A		
sheet index	revision sheet				JAMES HSU 9/9/03'				

1 | 2

3

4

ACAD

PDM: Rev:L

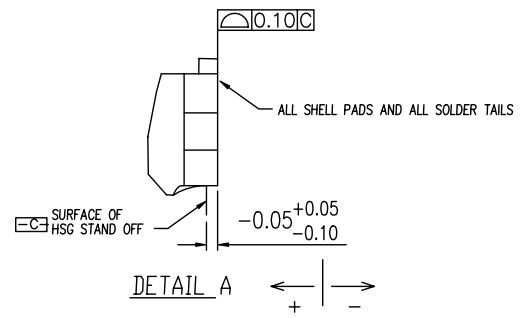
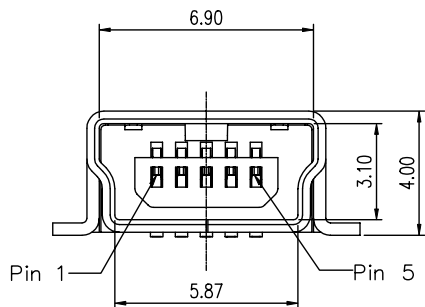
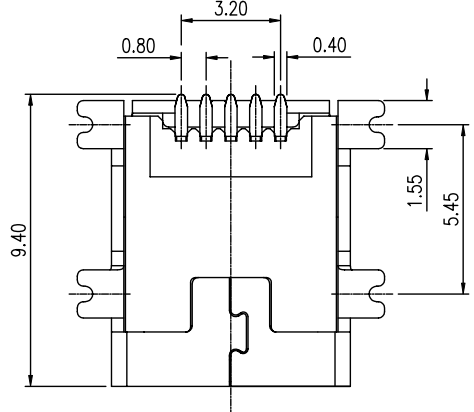
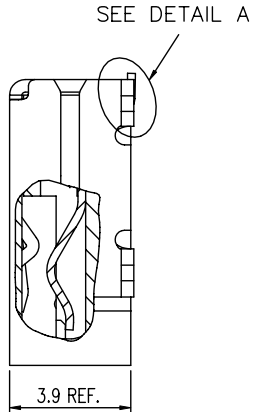
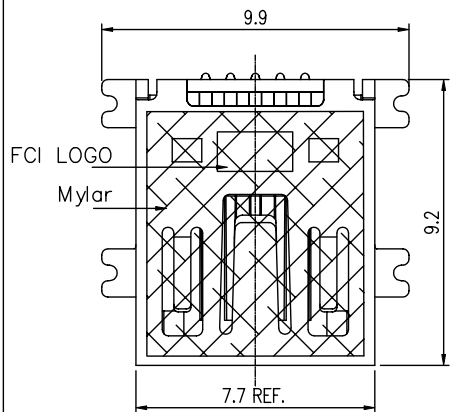
STATUS Released 2008.10.08

cage code 28526

Tous droits strictement reserves. Reproduction ou communication a des tiers interdite sous quelque forme que ce soit sans autorisation ecrite du proprietaire. Property of FCI. Droits de reproduction FCI.

All rights strictly reserved. Reproduction or issue to third parties in any form whatever is not permitted without written authority from the proprietor. Property of FCI. Copyright FCI.

PROD NO
10033526-xxx2xx



mat'l. code		tolerances unless otherwise specified		CUSTOMER COPY		 www.fciconnect.com	
ltr	ecn no	dr	date	linear	.X ±.30	projection	title
L					.XX ±.20	 MM	MINI USB B TYPE RECEPTACLE CONNECTOR, R/A SMT TYPE
				angles	.XXX ±.10		product family
				dr	0° ±3°	size	dwg no
				engr		scale	A4
				chr	JASMINE CHANG 9/9/03'	N/A	10033526
				appd	ALLEN CHANG 9/9/03'		sheet 3 of
sheet index	revision sheet				JAMES HSU 9/9/03'		

ACAD PDM: Rev:L 3 STATUS Released 22026 Oct 08, 2008