



RoHS
Ready 

Products Designed for DisplayPort™ Standard

DESCRIPTION

DisplayPort is a universal interface specification designed for internal and external system solutions that reduce device complexity by significantly improving performance for high bandwidth audio and video data transfer over one cable. The need for LVDS electronics is removed, which allows for a significantly smaller form factor in notebooks and LCD displays. DisplayPort connectors are designed in conjunction with VESA DisplayPort 1.1a standards to be used primarily within the notebook and PC markets and are considered, "The HDMI connector, of the PC World."

APPLICATIONS

- PCs
- External display interconnects
 - TV monitors
 - Panels
 - Set-Top Boxes
 - Projectors
- DVD players
- Game consoles
- Mobile Devices
- Personal Video records
- Optical disc players

Internet

<http://tycoelectronics.com/products/DisplayPort>

 **Tyco Electronics**

Our commitment. Your advantage.

KEY FEATURES

- Future foundation for new display usages featuring higher color depths, display resolutions and fresh rates
- User-friendly and cost effective
- Smaller footprint takes up less PCB space yet provides scalable performance in terms of resolution
- Reduces numbers of wires required
- Supports embedded clock
- Superior shielding against EMI
- Replace DVI & VGA interfaces
- Optional latching feature prevents longer cables from detaching

MECHANICAL

- Ratings
 - Voltage Rating: 40 vac (rms)
 - Current Rating: Signal application only, 0.5 ampere maximum per contact
 - Temperature Rating: -40°C to +85°C unless limited by cable or overmold

MATERIAL

- Contact:
 - Copper alloy: gold plating on contact area
 - Tin plating on solder area all over nickel plating
- Housing:
 - Thermoplastic, black, UL94V-0
- Shell:
 - Copper alloy, Nickel plating or tin cover nickel plating

STANDANDARDS AND SPECIFICATION

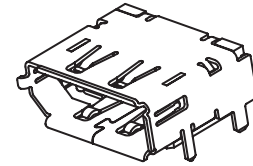
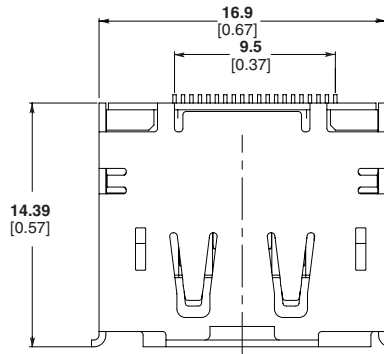
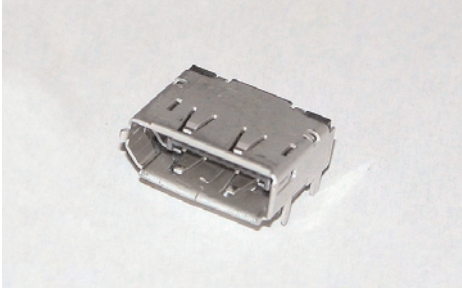
- Application Specification
- Product Specification 108-78515
- Test Report: 501-5912
- Industry Standards: VESA DisplayPort 1.1a standards

Internet

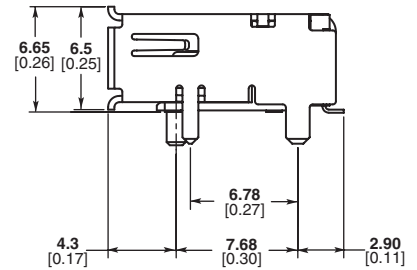
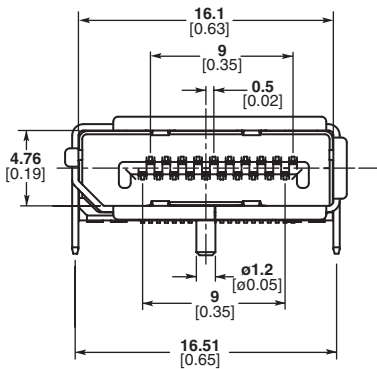
<http://tycoelectronics.com/products/DisplayPort>

RECEPTACLES

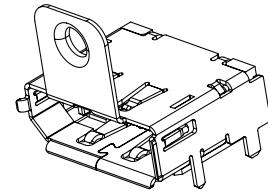
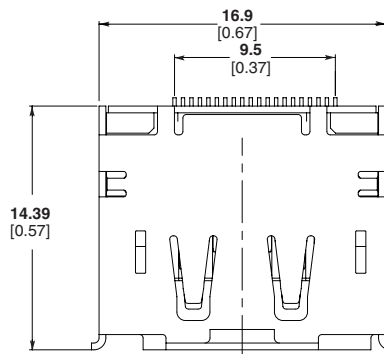
SMT Receptacle without Flange, Thru Hole Legs



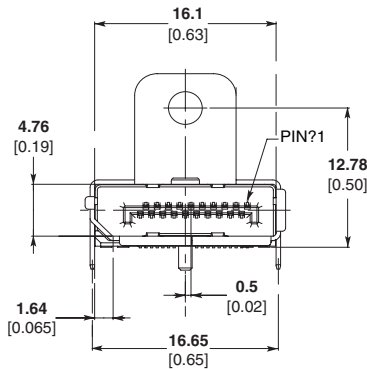
Part Number	
Description	Part Number
Tin	2013655-5
Nickel	2013655-1



SMT Receptacle with Flange, Thru Hole Legs



Part Number	
Description	Part Number
Matte Tin	2040204-5
Nickel	2040204-1

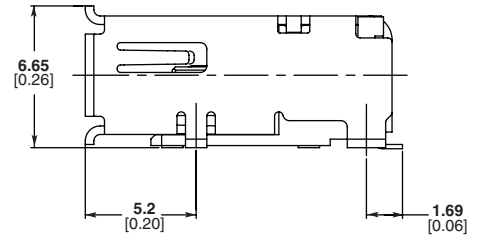
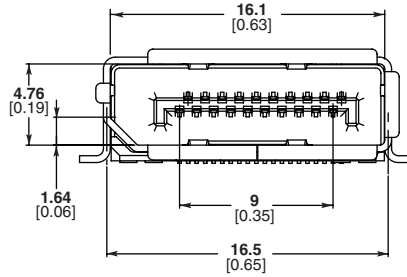
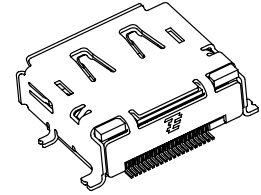
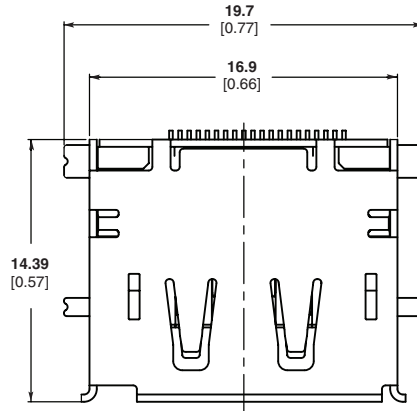


Internet
<http://tycoelectronics.com/products/DisplayPort>

RECEPTACLES

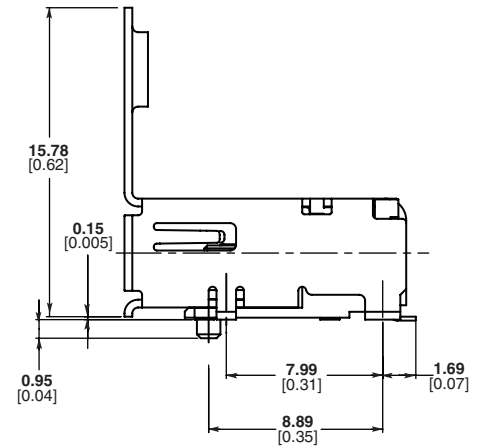
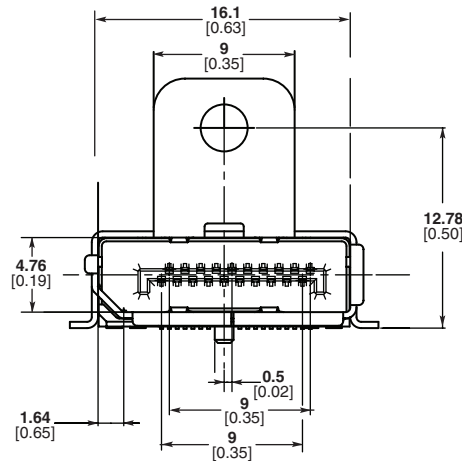
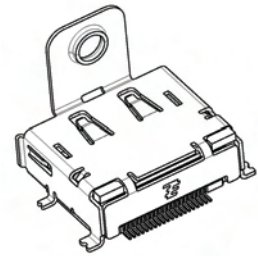
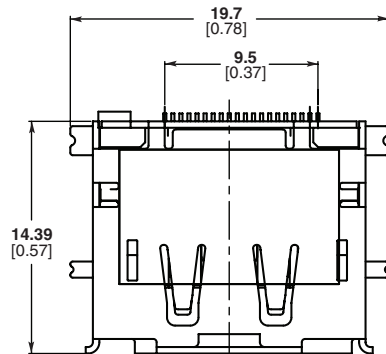
SMT Receptacle without Flange, SMT Hold Downs

Part Number 2040388-5



SMT Receptacle with Flange, SMT Hold Downs

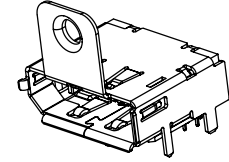
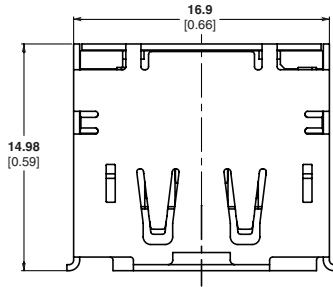
Part Number: 2040247-5



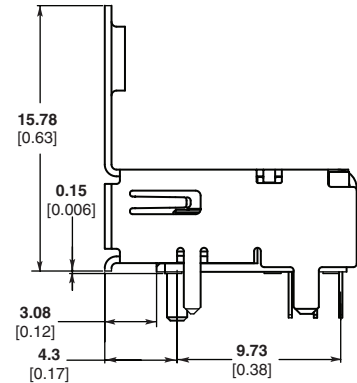
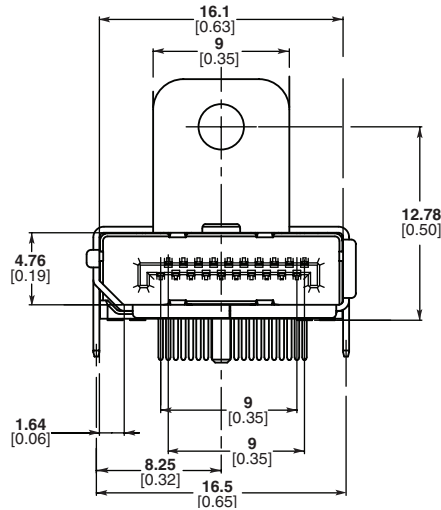
Internet
<http://tycoelectronics.com/products/DisplayPort>

RECEPTACLES

Receptacle with Flange



Part Number	Description	Part Number
	Tin Nicke	2040210-1
	Tin	2040210-5



DisplayPort Cable Assembly

DisplayPort Cable Assembly

(Shown with PVC Jacket, Latch, and no Ferrite Core)



DisplayPort Cable Assembly

(Shown with Halogen-Free Jacket, Latch, and Ferrite Core)



Part Number	Length	Description
2040685-2	2 meters	PVC, With Latch, Without Ferrite Core
2069230-2	2 meters	PVC, Without Latch, Without Ferrite Core
2006454-2	2 meters	PVC, With Latch, With Ferrite Core
2006457-2	2 meters	PVC, Without Latch, With Ferrite Core
2040687-2	2 meters	Halogen-Free, With Latch, Without Ferrite Core
2040686-2	2 meters	Halogen-Free, Without Latch, Without Ferrite Core
2006453-2	2 meters	Halogen-Free, With Latch, With Ferrite Core
2006459-2	2 meters	Halogen-Free, Without Latch, With Ferrite Core

Internet

<http://tycoelectronics.com/products/DisplayPort>

DISPLAYPORT CABLE ASSEMBLY

DisplayPort to DVI Cable Adapter



Part Number	Length	Description
1-1899423-4	2 meter	PVC, With latch, Without Ferrite Core

FOR MORE INFORMATION

Technical Support Center

Phone: 1-800-522-6752
E-mail: product.info@amp.com

US Connectors Product Manager —

Eric L Himelright
Phone: 717-986-3750
E-mail: elhimelright@tycoelectronics.com

US Cable Assemblies Product Manager —

John D Montgomery
Phone: 717-986-3139
E-mail: monty@tycoelectronics.com

Europe Product Manager —

Peter Groels
Phone: 73-6246494
E-mail: P.Groels@tycoelectronics.com

Asia Product Manager —

James Chang
Phone: 2-87682788EXT396
E-mail: james.chang@tycoelectronics.com

Restriction on the use of Hazardous Substances (RoHS)

At Tyco Electronics, we're ready to support your RoHS requirements. We've assessed more than 1.5 million end items/components for RoHS compliance, and issued new part numbers where any change was required to eliminate the restricted materials. Part numbers in this catalog are identified as:

RoHS Compliant — Part numbers in this catalog are RoHS Compliant, unless marked otherwise. These products comply with European Union Directive 2002/95/EC as amended 1 January 2006 that restricts the use of lead, mercury, cadmium, hexavalent chromium, PBB, and PBDE in certain electrical and electronic products sold into the EU as of 1 July 2006.

NOTE: For purposes of this Catalog, included within the definition of RoHS Compliant are products that are clearly "Out of Scope" of the RoHS Directive such as hand tools and other non-electrical accessories.

Non-RoHS Compliant — These part numbers are identified with a "I" symbol. These products do not comply with the material restrictions of the European Union Directive 2002/95/EC.

NOTE: Information regarding RoHS compliance is provided based on reasonable inquiry of our suppliers and represents our current actual knowledge based on the information provided by our suppliers. This information is subject to change. For latest compliance status, refer to our website referenced at right.

Internet

<http://tycoelectronics.com/products/DisplayPort>

Getting the Information You Need

Our comprehensive on-line RoHS Customer Support Center provides a forum to answer your questions and support your RoHS needs. A RoHS FAQ (Frequently Asked Questions) is available with links to more detailed information. You can also submit RoHS questions and receive a response within 24 hours during a normal work week. The Support Center also provides:

- Cross-Reference from Non-compliant to Compliant Products
- Ability to browse RoHS Compliant Products in our on-line catalog
- Downloadable Technical Data Customer Information Presentation
- More detailed information regarding the definitions used above
- So whatever your questions when it comes to RoHS, we've got the answers at www.tycoelectronics.com/leadfree

RoHS
Customer
Support
Center

© Copyright 2008 by Tyco Electronics Corporation. All International Rights Reserved.

TE LOGO and TYCO ELECTRONICS are trademarks.

VESA, VESA Logo, and DisplayPort Certified Logo are trademarks of the Video Electronics Standards Association

Other products, logos, and company names mentioned herein may be trademarks of their respective owners.

1-1773453-3 CC&CE—PDF—08/08

Dimensions are millimeters over inches unless otherwise specified.

 **Tyco Electronics**
Our commitment. Your advantage.