

mat'l. code	tolerances unless otherwise specified		CUSTOMER COPY	FCI	www.fci.com
lit	ech no	dr	date	line dr	title
B	T03-0386	J.C	9/9/03		MINI USB AB TYPE RECEPTACLE
C	T04-0020	J.C	3/10/04		CONNECTOR, R/A SMT TYPE
D	T05-0261	W.L	11/15/05	angles	
E	T06-0030	A.C	2/16/06	dr	JASMINE CHANG 9/9/03
F	T06-0074	A.C	4/10/06	engr	ALLEN CHANG 6/16/06
G	T08-0201	A.C	12/14/06	chr	ROGER LIN 6/16/06
H	T03-0386	J.H	6/22/08	uppd	JAMES HSU 6/16/08
sheet	revision	H	H		scale
Index	sheet	1	2		1:1

AC:AD

code code

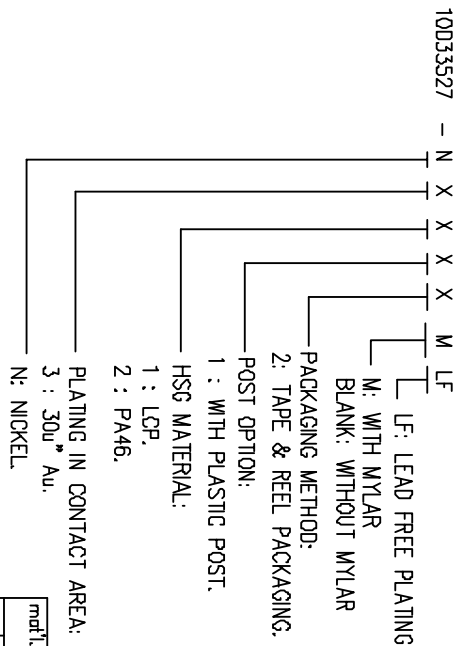
10033527

code sheet 1 of 2

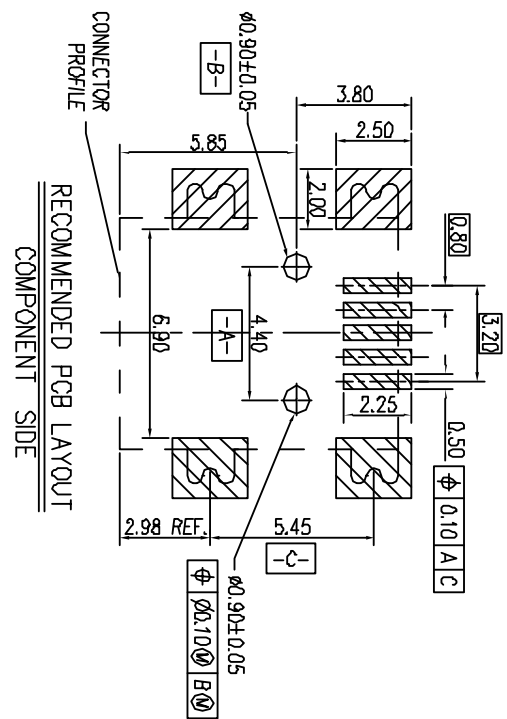
PROD NO.  
SEE NOTES

NOTES:

1. MATERIAL:  
HOUSING: HIGH TEMP THERMOPLASTIC, GLASS FIBER FILLED.  
UL 94V-0 RATED, COLOR IN BLACK  
CONTACT: COPPER ALLOY,  
SHELL: COPPER ALLOY.
2. FINISH:  
CONTACT: UNDERPLATED 50u" MIN. NICKEL OVER ALL  
100u" MIN. MATTE TIN PLATED IN SOLDERING AREA FOR LEAD FREE VERSION.  
SELECTIVE GOLD PLATED IN CONTACT AREA.  
SHELL: 8 NICKEL, PLATED WITH 40u" MIN. THICK  
OVER 100u" THICKNESS Cu.
3. 10033527-N3212XLF: THE HOUSING WILL WITHSTAND EXPOSURE TO 260°  
PEAK TEMPERATURE FOR 10 SECONDS IN A IR REFLOW APPLICATION,  
AND THIS PRODUCT MEETS EUROPEAN UNION DIRECTIVES AND OTHER  
COUNTRY REGULATIONS AS DESCRIBED IN QS-22-008.
4. PRODUCT ORDERING DATA :



5. PRODUCT SPEC: QS-12-174; PACKAGE SPEC: QS-14-873



matl. code	tolerances unless otherwise specified	CUSTOMER COPY	FCI	www.fci.com
lit	XX ± 0.20	projection	MINI USB AB TYPE RECEPTACLE	
H	.XXX ± 0.10	dr	CONNECTOR, R/A SMT TYPE	
	0° ± 3°	engr		
		chr		
		appr		
sheet		scale	product family	code
revision		1:1	USB	TWN
sheet			Size dng no	sheet
index			10033527	2 of 2

1 2 ACAD

1 2 3 4