

4

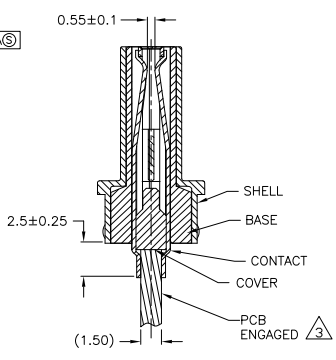
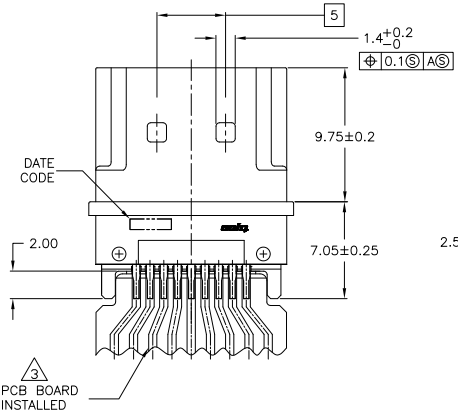
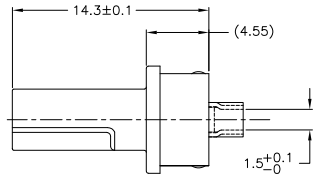
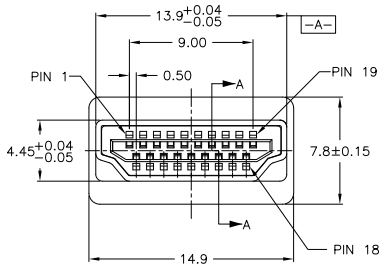
3

2

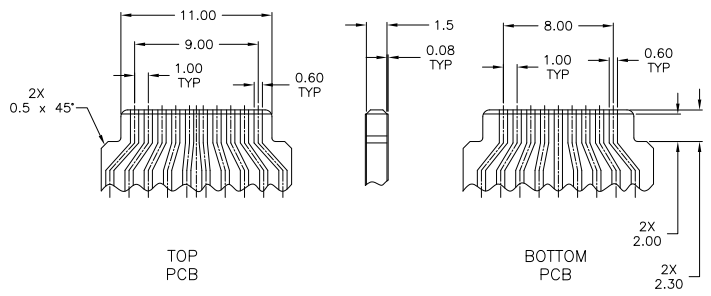
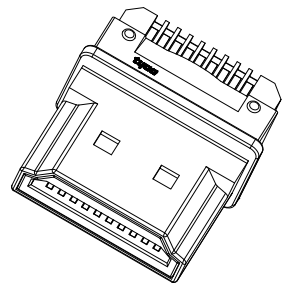
1

THIS DRAWING IS UNPUBLISHED. RELEASED FOR PUBLICATION  
 BY TYCO ELECTRONICS CORPORATION. ALL RIGHTS RESERVED.

LOC		DIST		REVISIONS			
GP	00	F	LN	DESCRIPTION	DATE	BY	APPD
		B		REVISED PER ECO-07-016002	10JUL07	JDP	SLB



- 1 MATERIAL:  
CONTACTS: PHOSPHOR BRONZE.  
BASE & COVER: LCP, UL94V0, COLOR-BLACK.  
SHELL: ZINC ALLOY
- 2 FINISH:  
CONTACT: 0.381µm MIN GOLD PLATE IN MATING AREA,  
2.54µm MIN MATTE TIN PLATE IN SOLDER AREA, 1.27µm MIN NICKEL UNDERPLATE ON ENTIRE CONTACT.  
SHELL: 2.03µm MIN NICKEL PLATE OVER 2.54µm MIN COPPER UNDERPLATE.
- 3 PCB TO BE SUPPLIED BY CUSTOMER AND IS SHOWN FOR REFERENCE.



1888510-1  
PART NUMBER

THIS DRAWING IS A CONTROLLED DOCUMENT.		DM S. MCMASTER	24MAY08	Tyco Electronics Corporation Harrisburg, PA 17105-3608	
DIMENSIONS: mm		DRW W. MILLHIMES	24MAY08	NAME	
TOLERANCES UNLESS OTHERWISE SPECIFIED:		PRODUCED BY	24MAY08	PLUG STRADDLE MOUNT, 19 POSITION, HDMI	
0 PLG	± 0.3	APPLICATION SPEC		SIZE	CAGE CODE DRAWING NO
1 PLG	± 0.3	WEIGHT		A2	00779 C=1888510
2 PLG	± 0.008			CUSTOMER DRAWING	SCALE 5:1 SHEET 1 of 1 REV B
3 PLG	± 0.3				
4 PLG	± 0.3				
ANGLES	± 1°				