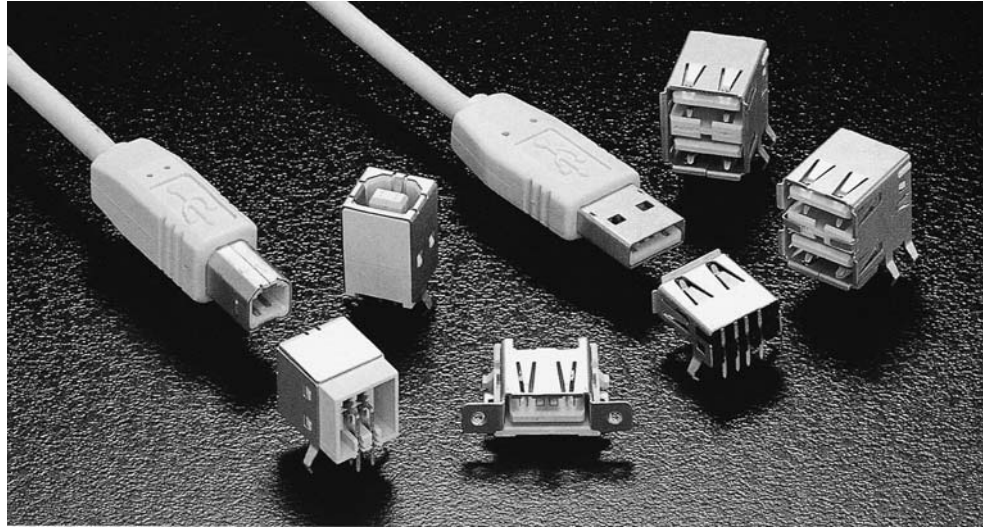


Product Facts

- Plug and Play capability
- Hot pluggable, permits attaching or detaching peripherals without power down or reboot
- Single 4-position connector, polarized for proper orientation
- Complete family of board-mount receptacles, including right-angle, thru-hole, thru-hole type B, side-by-side, and stacked
- Cable mount overmold plug kits for both standard and type B applications
- Consolidates serial parallel, keyboard, mouse and game ports
- Compatible with asynchronous and isochronous data transfer methods



The Tyco Electronics Connector System will accommodate the two differentially driven data wires that provide bi-directional, simultaneous signals for full speed 12Mbps or for low speed 1.5Mbps used in Universal Series Bus (USB) Systems. The Tyco Electronics USB System is a complete inter-

connection technology for I/O devices, including: key-boards, mice, game port, serial port devices, digital audio, printers, scanners, modems, joy sticks, and other telecommunication devices. Designed for outside-of-box, user friendly applications, the Tyco Electronics system

consists of a single 4-position boardmount receptacle and mating cable mount overmolded plug. Boardmount receptacles are available in standard, Type B, stacked and side-by-side configurations, adding to the system's versatility to meet all USB applications.

Table of Contents

Standard USB

- Series A Receptacle Assemblies 2-10
- Series B Receptacle Assemblies 11-12
- Cable Assemblies 13

Mini USB

- Connectors 14-16
- Plugs 17
- Cable Assembly 18

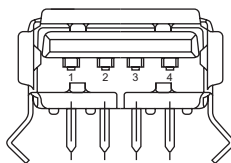
RJ45 Over USB 19

MAG45 Modular Jacks with Integrated Magnetics 20

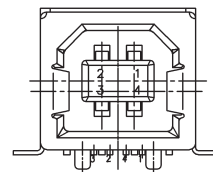
USB/IEEE Combo 21

Part Matrix

Product	Series	Part Number	RoHS Compliant	Orientation	SMT/ Thru-Hole	Page Number
Header	A	787616-1	202303-1	Right-Angle	Thru-Hole	2
		440260-1	292336-1	Right-Angle	Thru-Hole	2
Header	A	353929-1	5353929-1	Panel Mount, RA	SMT	3
		353928-1	1734038-1	Panel Mount, RA	SMT	4
Header	A	787617-1	5787617-1	Double Stack, RA	Thru-Hole	5
Header	A	440448-1	1-1734181-2	Triple Stack, RA	Thru-Hole	6
Header	A	1470007-2	1-1734383-2	Quad Stack, RA	Thru-Hole	7
Header	A	1364428-1	1734366-1	Vertical	Thru-Hole	8
		1470697-1	1734080-1	Edge Mount	SMT	9
Plug	A	1470695-1	1734028-1	Edge Mount	SMT	9
		Plug Kit	A	1364978-1	1734372-1	Cable Appl.
Header	B	787780-1	292304-1	Right-Angle	Thru-Hole	11
Header	B	787834-1	5787834-1	Vertical	Thru-Hole	11
Header	B	1734346-1	1734346	Right-Angle	SMT	12
Plug Shell	B	796007-2	796007-3	Cable Appl.		12
Plug Housing	B	796006-4	5796006-4	Cable Appl.		12



Series A



Series B

©2006 by Tyco Electronics Corporation. All Rights Reserved.

AMP, MAG45 and Tyco are trademarks.

Other products, logos, and company names mentioned herein may be trademarks of their respective owners.

Series A Receptacle Assemblies

Right-Angle, Thru-Hole

Part Number
202303-1
 Loose Piece

Performance Data

USB Connector System

Voltage Rating — 30VAC (rms)
Current Rating — Signal application only, 1 amp per contact
Temperature Rating — -55 to 85°C (unless limited by cable or overmold)

Termination Resistance — 30mΩ, max.

Insulation Resistance — 1,000 MΩ, min.

Dielectric Withstanding Voltage — 750VAC

Capacitance — 2pF max.

Durability — 1,500 cycles

Mating Force — 35N per contact, max.

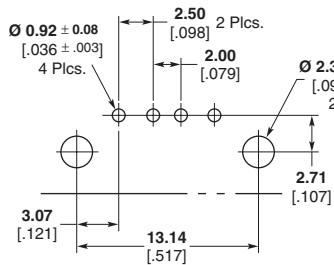
Unmating Force — 10N per contact, max.

Universal Series Bus

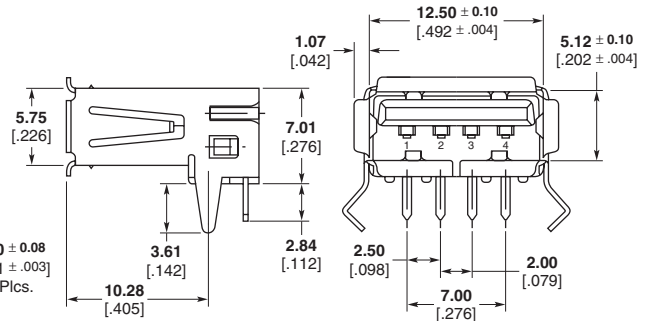
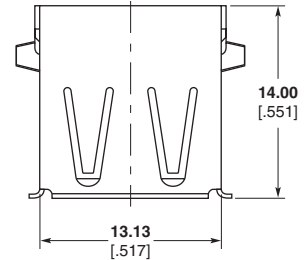
Speed — 12 Mb/s
Max. No. of Peripherals — 63
Max. Distance — 5m max.
Data Transfer — Asynchronous

Solder Tail Length — 2.84 [.112]
Recommended PCB Thickness — 1.57 [.062]

Product Specification
108-1586



Recommended PCB Layout

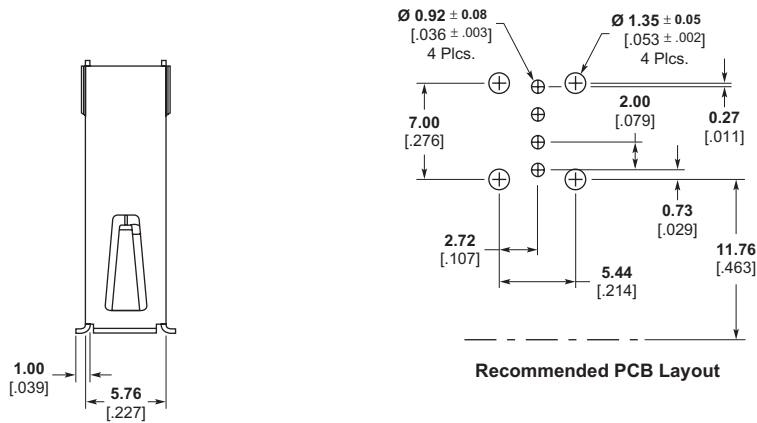


Right-Angle, Thru-Hole, Flag

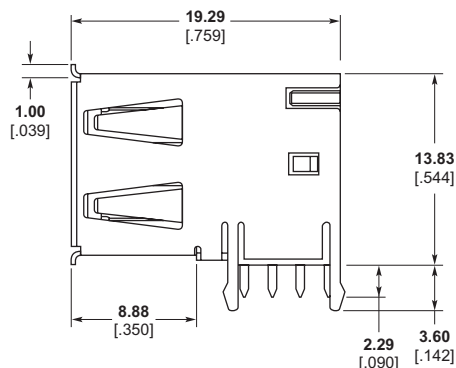
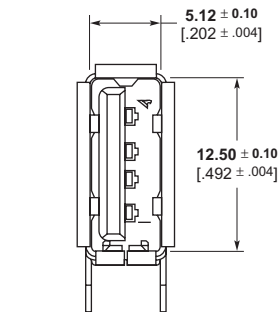
Part Number
292336-1
 Loose Piece

Solder Tail Length — 2.29 [.090]
Recommended PCB Thickness — 1.57 [.062]

Product Specification
108-1586



Recommended PCB Layout



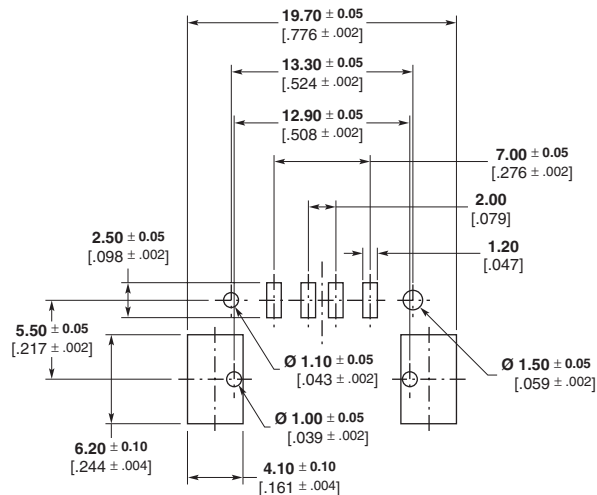
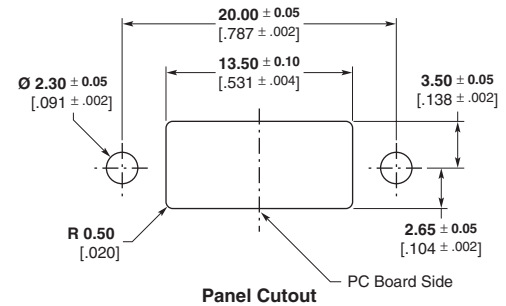
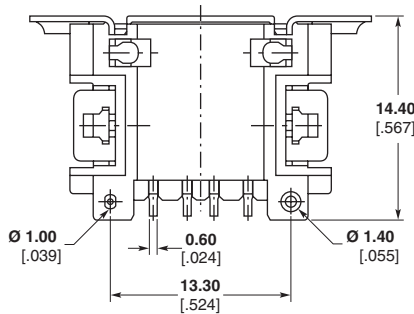
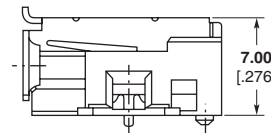
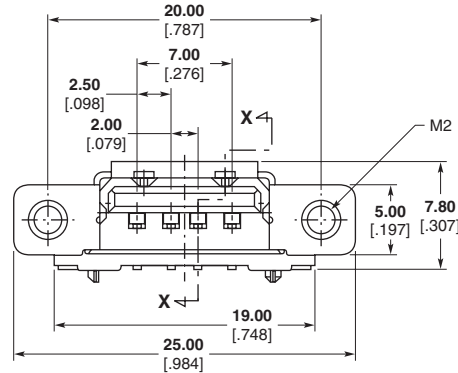
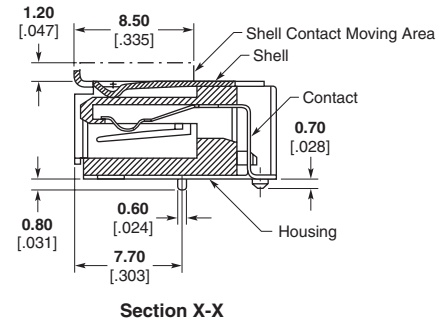
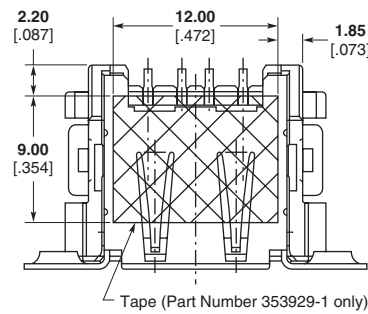
Series A Receptacle Assemblies (Continued)

Panel Mount Right Angle SMT Type

Part Number
5353929-1
 Emboss Tape Mounted, ea. 350
Tape Width — 44.00 [1.732]

Part Number
353583-1
 Tray Pack, ea. 55

Product Specification
108-5563



Recommended PCB Layout
 (Component Side)

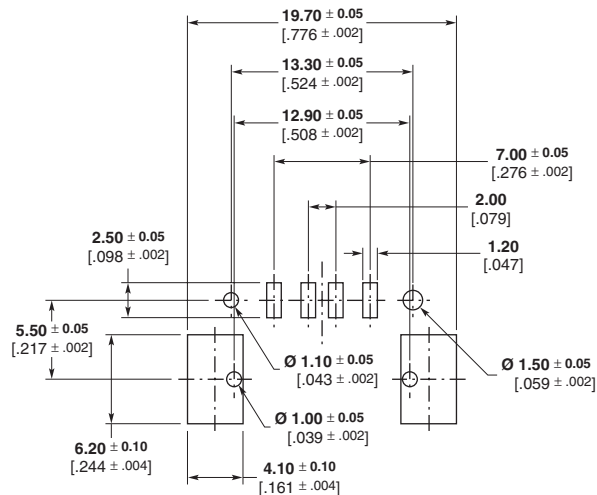
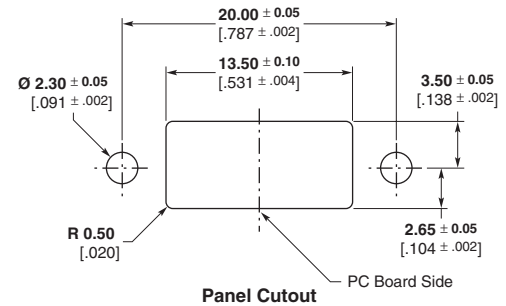
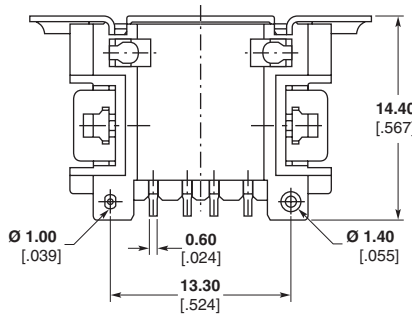
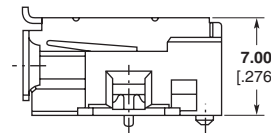
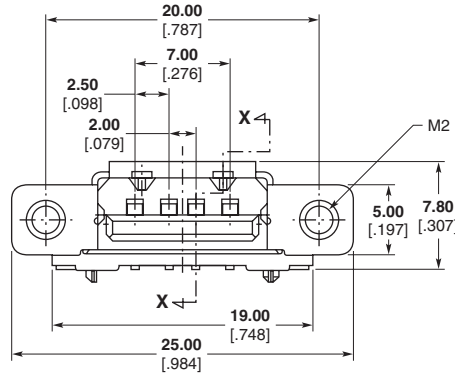
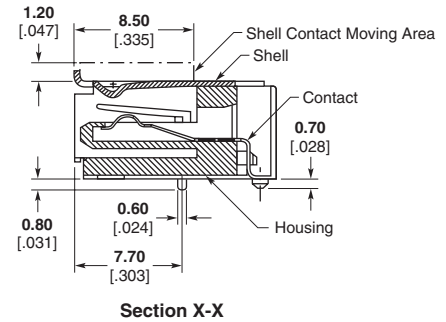
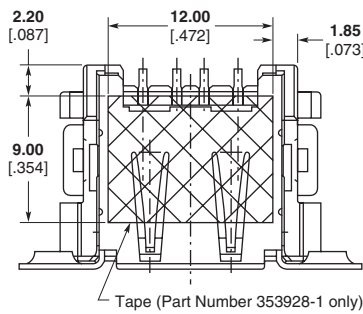
Series A Receptacle Assemblies (Continued)

Panel Mount Right Angle SMT Type, Reverse Mating

Part Number
1734038
 Emboss Tape Mounted, ea. 350
Tape Width — 44.00 [1.732]

Part Number
353576-1
 Tray Pack, ea. 55

Product Specification
108-5563



Recommended PCB Layout (Component Side)

Series A Receptacle Assemblies (Continued)

Right Angle Stacked, Thru-Hole

Part Number
5787617-1

Loose Piece

Solder Tail Length — 2.84 [.112]

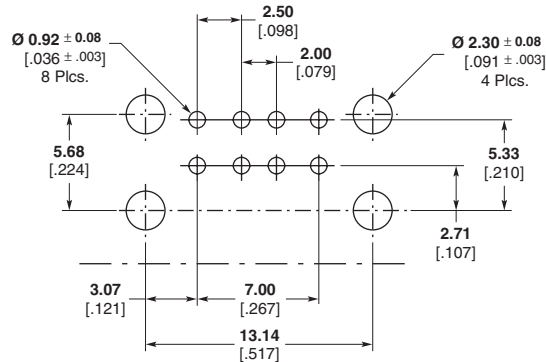
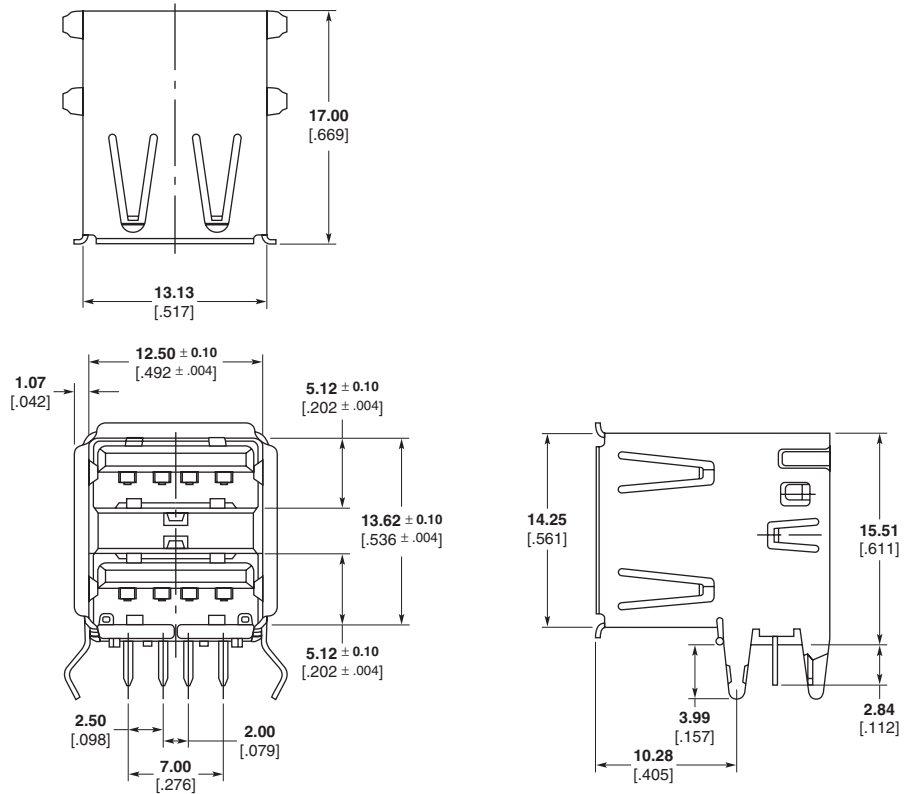
Recommended PCB Thickness — 1.57 [.062]

Material and Finish

Housing — Thermoplastic, UL94V-0

Shell — Copper alloy, plated bright tin

Contacts — Copper alloy, plated 0.076µm min. gold over 0.76µm min. palladium-nickel on the mating end, 3.8µm min. tin lead on solder tails all over 1.27µm min. nickel underplating or 0.076µm min. Gold on the mating end, 3.8µm min. tin lead on solder tails all over 1.27µm min. nickel underplating.



Recommended PCB Layout

Series A Receptacle Assemblies (Continued)

Right-Angle, Triple Stack Thru-Hole with Panel Grounds

Part Number
1-1734181-2

Material and Finish

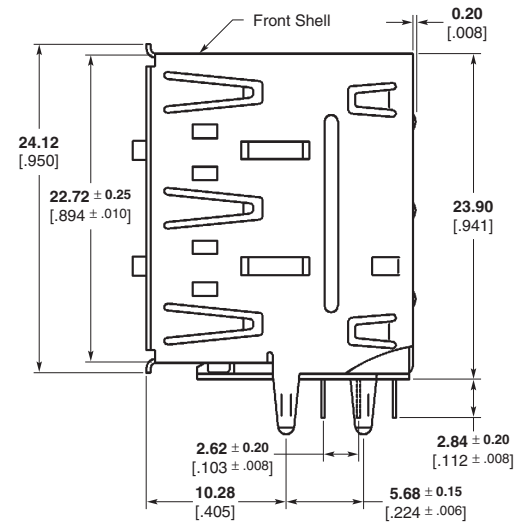
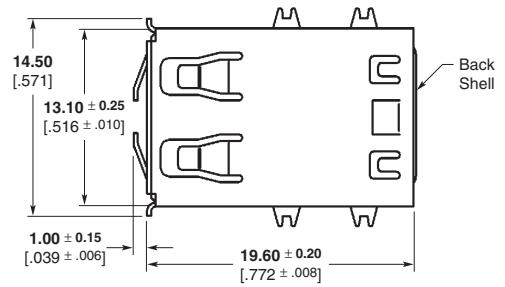
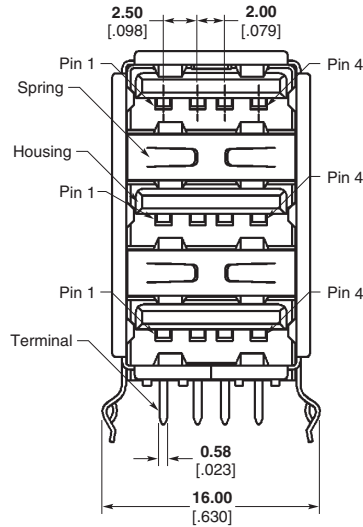
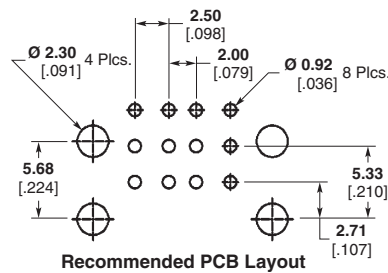
Housing — Thermoplastic, UL94V-0, white

Contact — Phosphor bronze, plated gold on contact area and tin on solder-tails, nickel underplated

Front Shell — Brass, nickel plated, copper underplated

Back Shell — SPCC, nickel plated, copper underplated

Product Specification
108-57113



Series A Receptacle Assemblies (Continued)

Right Angle, Quad Stack, Thru-Hole with Panel Grounds

Part Number
1-1734383-2

Material and Finish

Housing (1) — Thermoplastic with 30% G/F, UL94V-0, color black

Housing (2) — High temperature thermoplastic with 30% G/F, UL94V-0, color black

Contact — Phosphor bronze, gold plated in contact area, tin on solder tails, nickel underplated overall

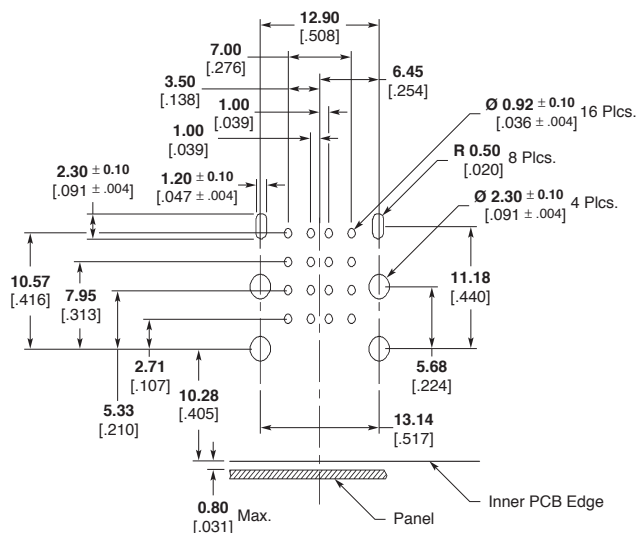
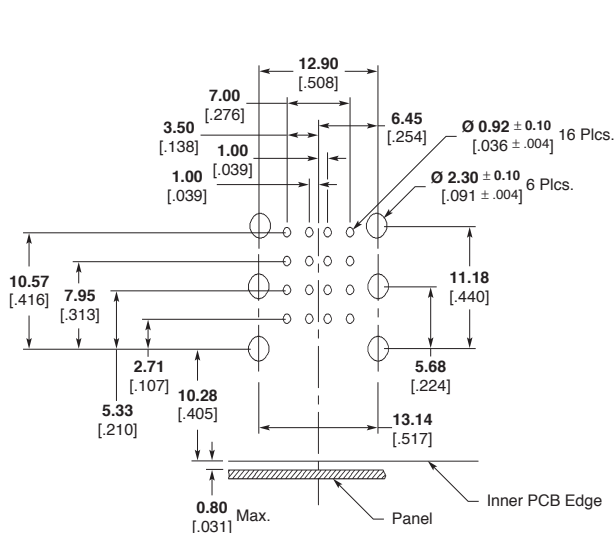
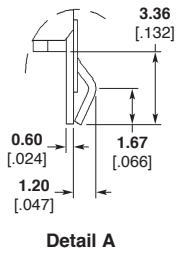
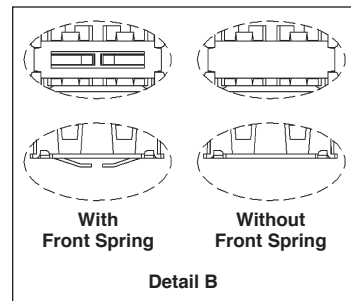
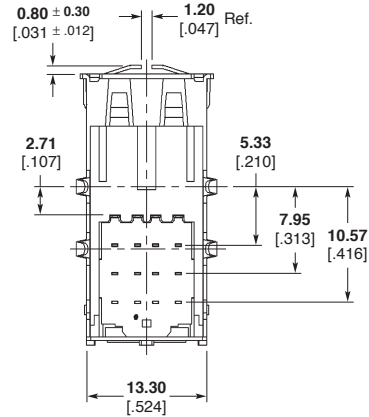
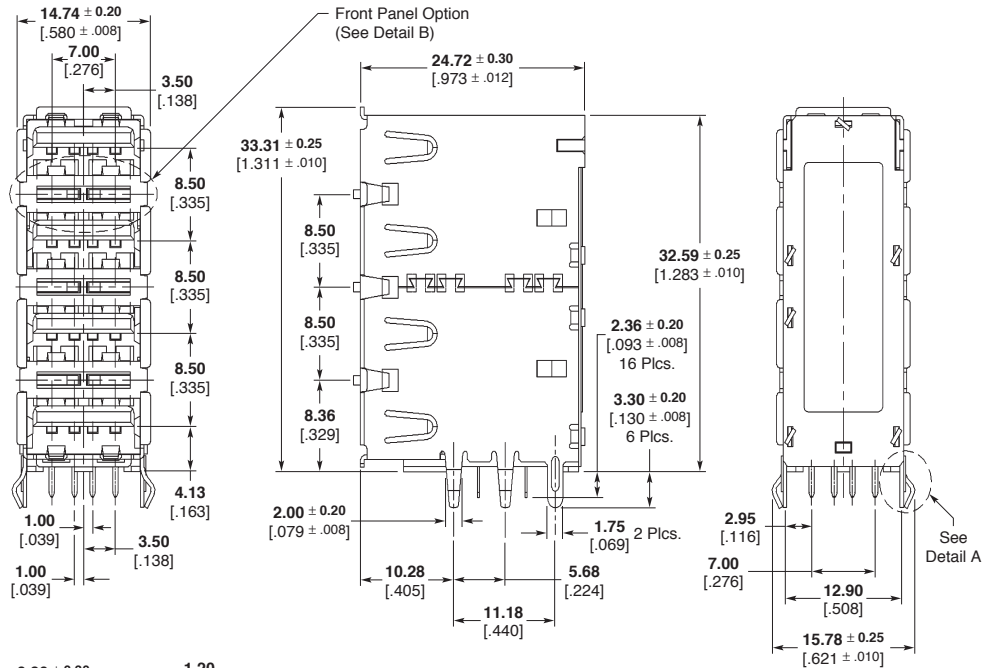
Front Shield — Brass, tin plated on entire, nickel underplated overall

Rear Shield — Brass, nickel plated

Ground Finger — Brass, tin plated on entire, nickel underplated overall

Recommended PCB Thickness — 1.60 [0.63]

Product Specification
108-57391

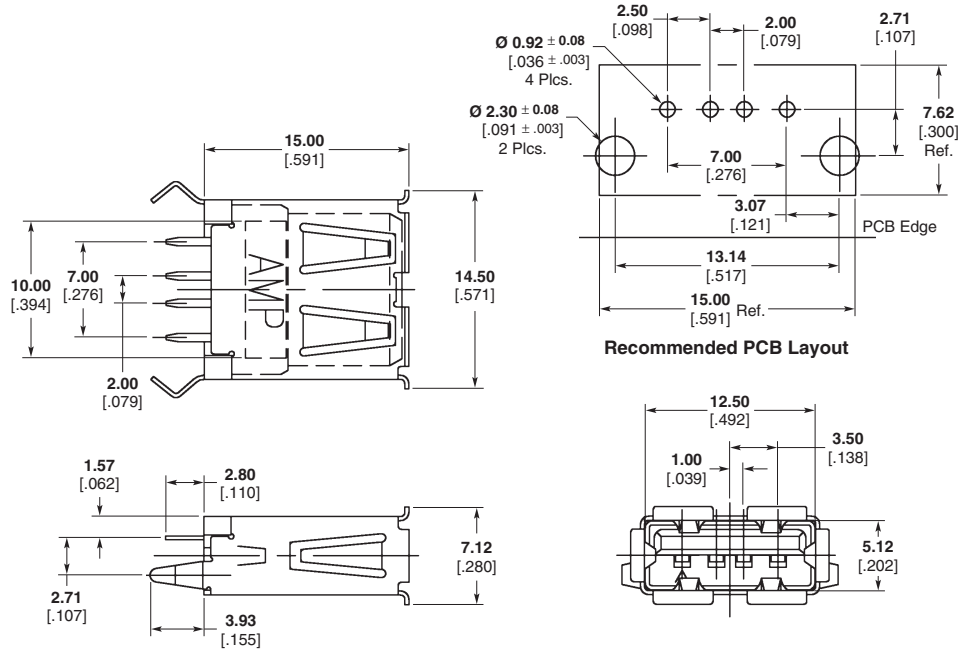


Series A Receptacle Assemblies (Continued)

Vertical, Thru-Hole

Part Number
1734366-1

Product Specification
108-57547



Series A Plug Assemblies

Edge Mount, SMT

Part Number
1734080-1

Material and Finish

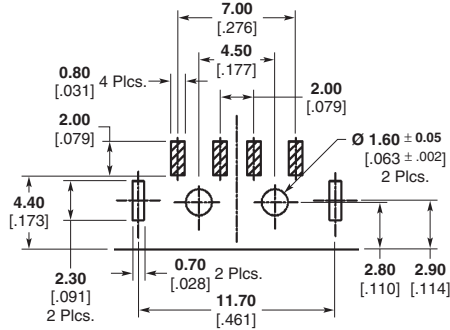
Housing — High temperature thermoplastic, UL94V-0, black or white

Contact — Brass, plated gold on contact area and tin-lead on soldertails, nickel underplated

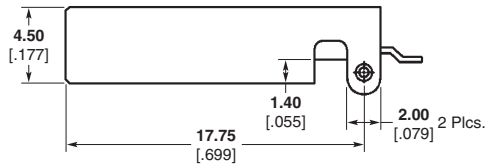
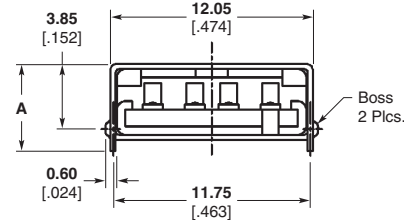
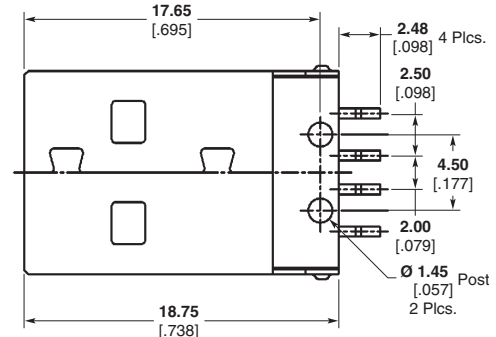
Shield — Steel, nickel plated, copper underplated

Product Specification
108-57304

Dim. A	Part Number
5.85 .230	1470697-1
	1470697-2
	1-1470697-1 1-1470697-2
5.05 .199	2-1470697-1 thru 7-1470697-2



Recommended PCB Layout



Edge Mount, SMT

Part Number
1734028-1

Material and Finish

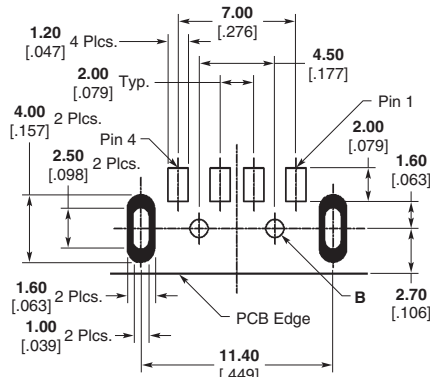
Housing — Thermoplastic, UL94V-0, black or natural

Contact — Brass, plated gold on contact area and tin-lead on soldertails, nickel underplated

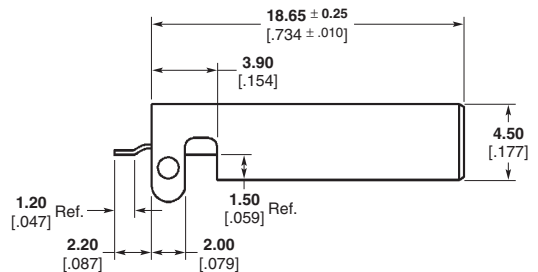
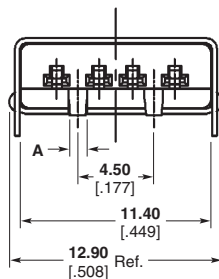
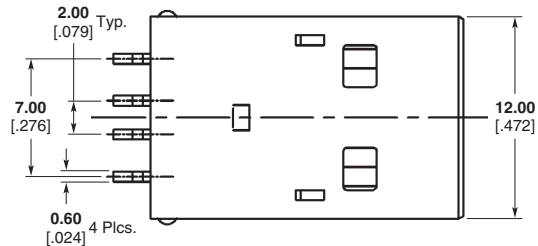
Shield — Steel, nickel plated, copper underplated

Product Specification
108-57306

Dim. B	Part Number
1.10 .043	1734028-1
1.50 .059	1734028-2
1.10 .043	1734028-3
1.50 .059	1734028-4



Recommended PCB Layout



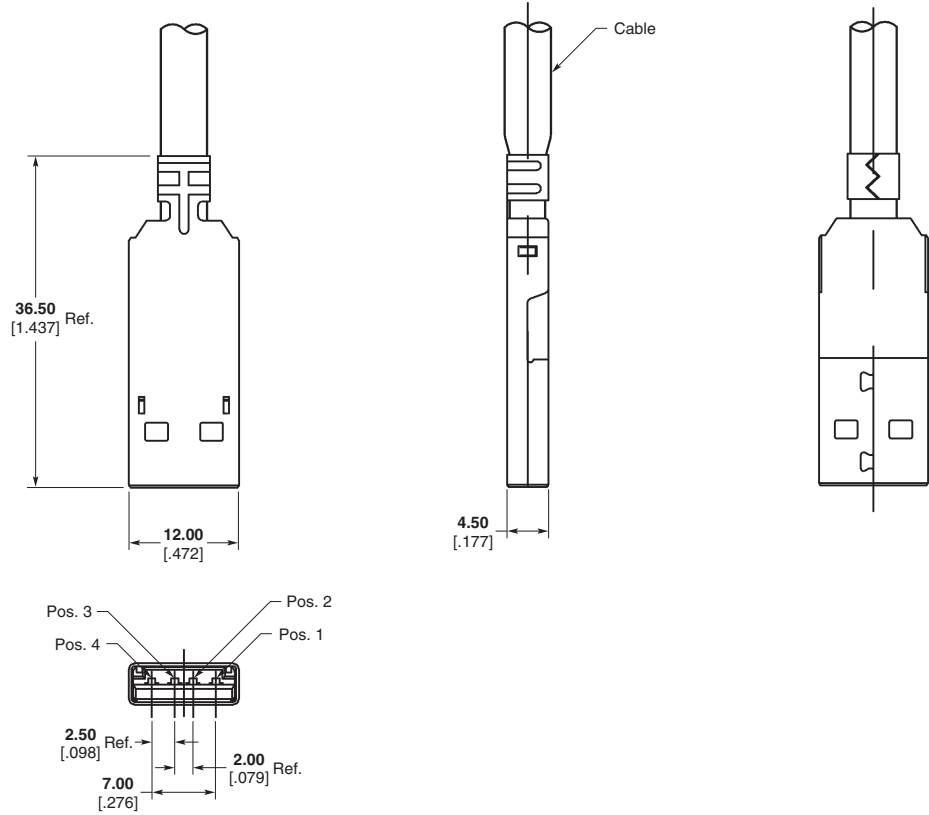
Series A Plug Assemblies (Continued)

Cable Plug

Kit includes Housing with contacts cover, front and back shells

**Part Number
1734372-1**

**Product Specification
108-57547**



Series B Receptacle Assemblies

Right Angle, Thru-Hole

Part Number
292304-1

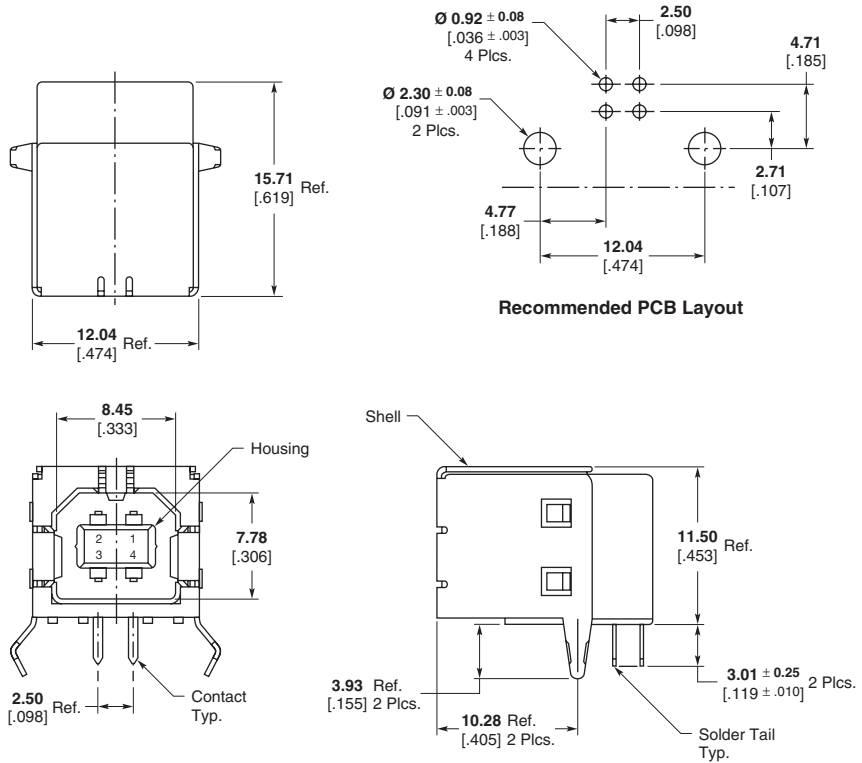
Loose Piece

Material and Finish

Housing — Thermoplastic, UL94V-0
Shell — Copper alloy, plated bright tin
Contacts — Copper alloy, plated 0.076µm min. gold over 0.76µm min. palladium-nickel on the mating end, 3.8µm min. tin lead on solder tails all over 1.27µm min. nickel underplating or 0.076µm min. gold on the mating end, 3.8µm min. tin lead on solder tails all over 1.27µm min. nickel underplating.

Recommended PCB Thickness —
1.57 [.062]

Product Specification
108-1586



Vertical Thru-Hole

Part Number
5787834-1

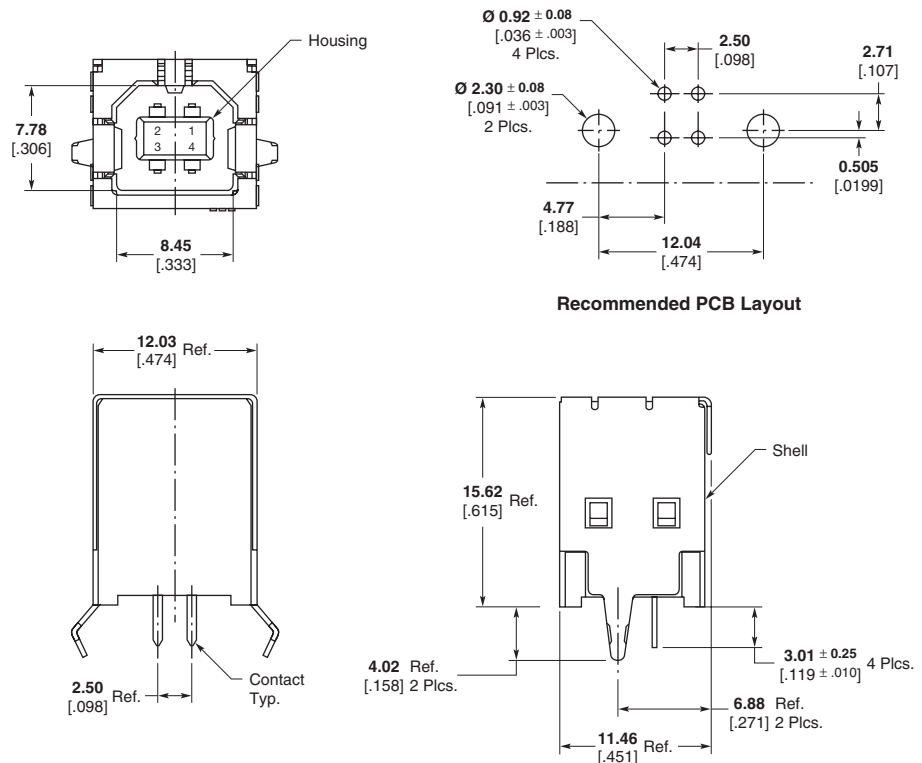
Loose Piece

Material and Finish

Housing — Thermoplastic, UL94V-0
Shell — Copper Alloy, plated bright Tin
Contacts — Copper Alloy, plated 0.076µm min. Gold over 0.76µm min. palladium-nickel on the mating end, 3.8µm min. Tin lead on solder tails all over 1.27µm min. nickel underplating or 0.076µm min. Gold on the mating end, 3.8µm min. Tin lead on solder tails all over 1.27µm min. nickel underplating.

Recommended PCB Thickness —
1.57 [.062]

Product Specification
108-1586



Series B Receptacle Assemblies (Continued)

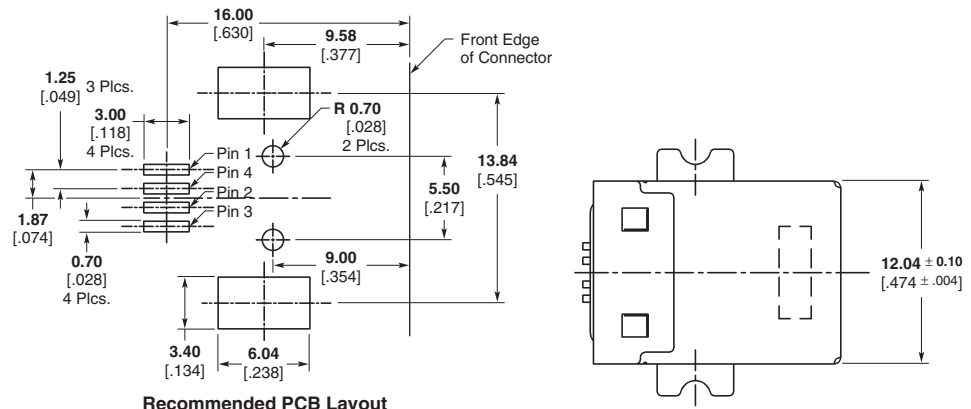
Right-Angle, SMT

Part Number
1734346

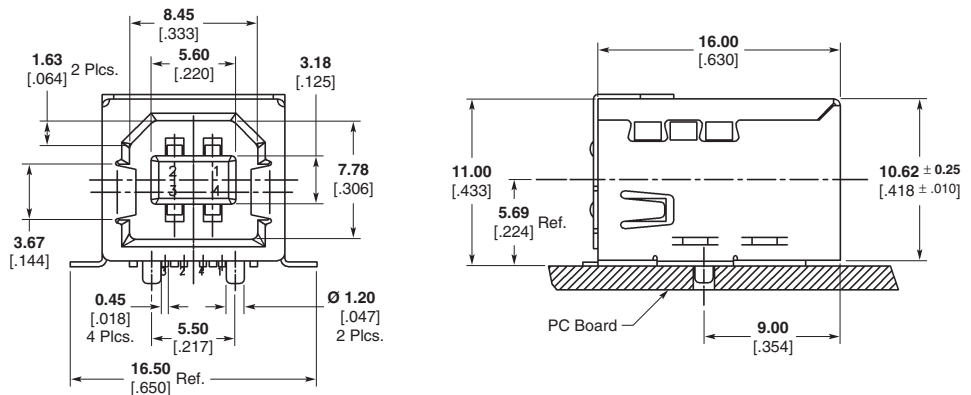
Material and Finish

- Housing** — High temperature thermoplastic, UL94V-0, black
- Contact** — Phosphor bronze, plated gold on contact area and tin-copper on soldertails, nickel underplated
- Front Shell** — Phosphor bronze, nickel plated
- Back Shell** — Stainless steel, nickel plated

Product Specification
108-57538



Recommended PCB Layout



Cable Plug

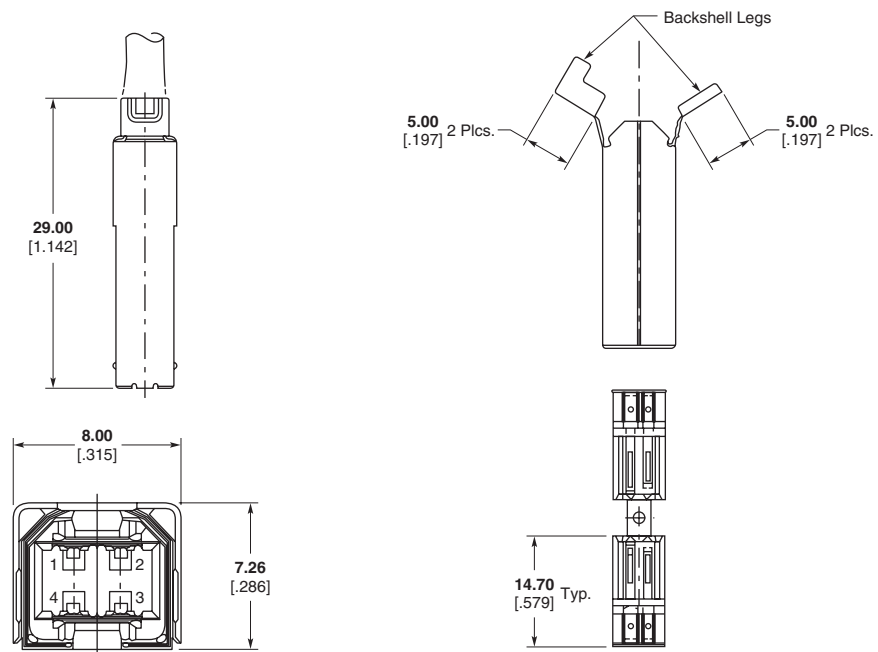
Part Numbers
796007-3
796006-4

Plug Housing & Contact Assembly (Loose Piece)

Material and Finish

- Housing** — Thermoplastic, UL94V-0
- Shell** — Copper alloy, plated bright tin
- Contacts** — Copper alloy, plated 0.076µm min. gold over 0.76µm min. palladium-nickel on the mating end, 3.8µm min. tin lead on solder tails all over 1.27µm min. nickel underplating or 0.076µm min. gold on the mating end, 3.8µm min. tin lead on solder tails all over 1.27µm min. nickel underplating.

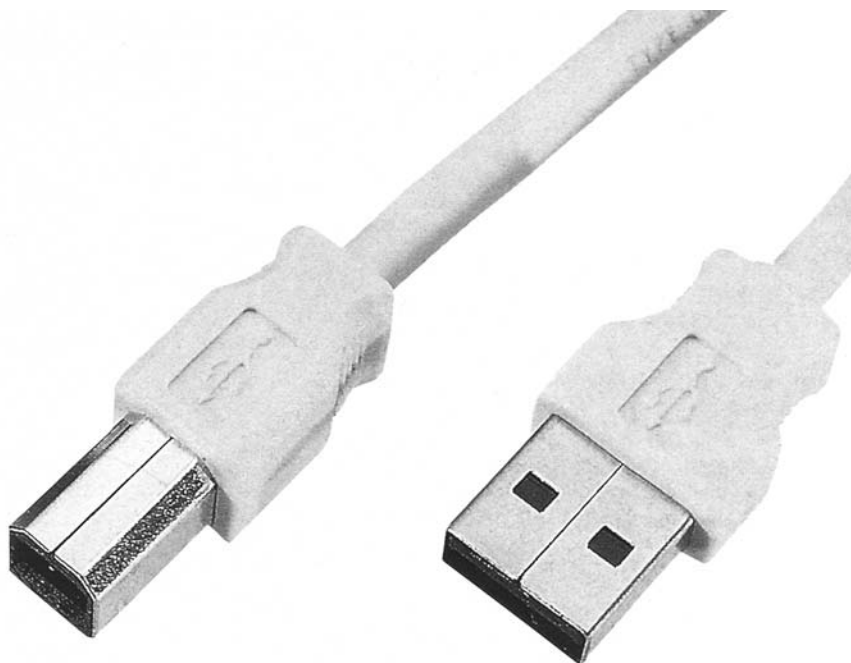
Product Specification
108-1586



USB Cable Plug Cable Assemblies

Product Facts

- Support latest technology for personal computer Plug and Play peripheral connectivity
- Uses Serial Bus technology to connect USB equipped personal computer to keyboards, mice, printers, video camera, etc
- Requires personal computer equipped with an "A" receptacle, Universal Serial Port
- Larger wire sizes are required for longer lengths to meet USB specifications for maximum current load and millivolt drop



Standard Universal Serial Bus (USB) Cable Assemblies Bus Extender Cable Assemblies



Cable Construction	Length* m [ft]	Part Number
2/AWG28 (0.08mm ²), 2/AWG28 (0.08mm ²), Shielded	500 [1,640]	1487594-1
2/AWG28 (0.08mm ²), 2/AWG26 (0.15mm ²), Shielded	250 [820]	1487594-2
2/AWG28 (0.08mm ²), 2/AWG24 (0.20mm ²), Shielded	162 [531]	1487594-3
2/AWG28 (0.08mm ²), 2/AWG22 (0.40mm ²), Shielded	310 [1,017]	1487594-4
2/AWG28 (0.08mm ²), 2/AWG20 (0.60mm ²), Shielded	4.0 [13]	974329-1
2/AWG28 (0.08mm ²), 2/AWG20 (0.60mm ²), Shielded	5.0 [16]	974329-2

Blunt End-Cut Assemblies for connecting to devices, such as keyboard, mice, etc.



Cable Construction	Length* m [ft]	Part Number
2/AWG28 (0.08mm ²), 2/AWG28 (0.08mm ²), Shielded	0.83 [2.7]	974538-1
2/AWG28 (0.08mm ²), 2/AWG26 (0.15mm ²), Shielded	1.0 [3.3]	974539-1
2/AWG28 (0.08mm ²), 2/AWG24 (0.20mm ²), Shielded	2.0 [6.6]	974540-1

*Indicates preferred lengths.

Mini USB Connector and Cable Assemblies Input/Output

Product Facts

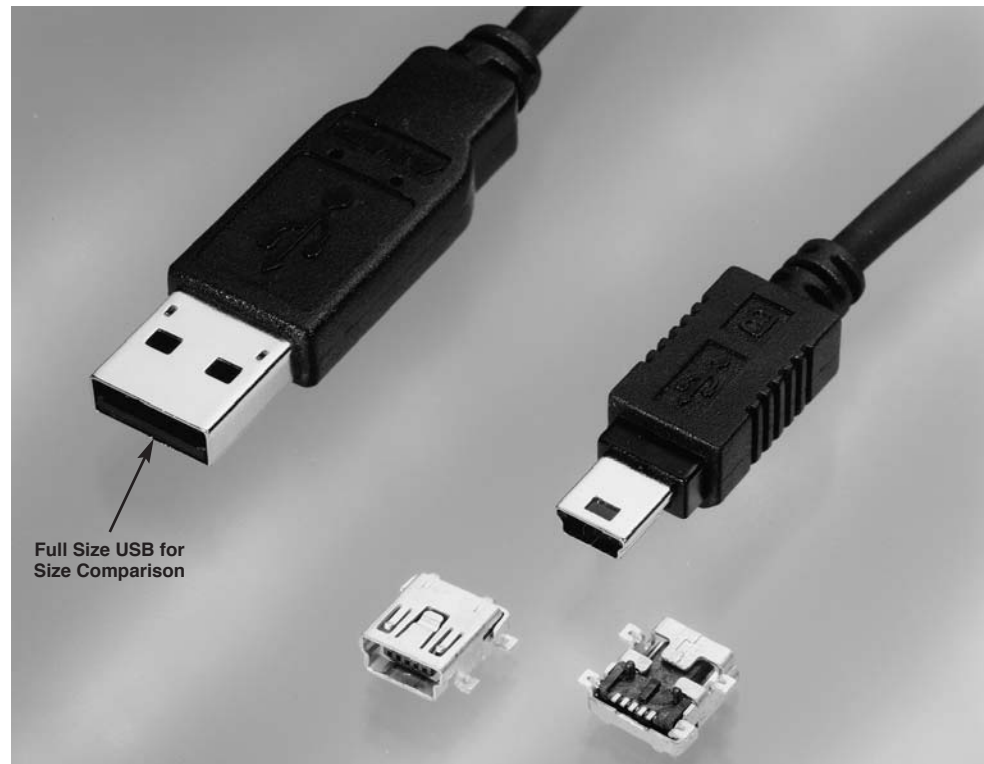
- Designed to meet the USB 2.0 specifications
- Single 5-Position (one ID pin) receptacle connector polarized for proper orientation
- Used in next generation high density computer peripherals, PDA's, palm tops and cell phones
- Designed for 480MB/s transfer rate

Mini USB Types

- High density design, allows for all the benefits of USB in a smaller package than traditional USB connectors
- **Mini-A** receptacle is keyed to allow a device to act as the host. It has four solder hold downs, which provide stability in mating and unmating by preventing stress on SMT connector leads
- **Mini-B** receptacle is keyed to allow device to act as a peripheral
- **Mini-AB** receptacle is keyed for devices that can act as a host or peripheral

Applications

- Supports latest technology for personal computer Plug and Play peripheral connectivity
- Uses serial bus technology to connect USB personal computers to PDA's, cell phones, video cameras, scanners, printers, keyboard and mouse

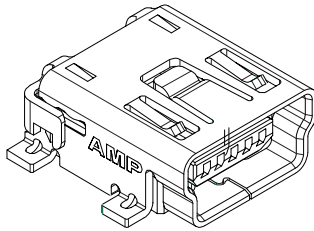


Part Matrix

Product	Series	Part Number	RoHS Compliant	Packaging	Page Number
Header	Mini-A	440478-1	1734327-1	Tray	15
		440478-2	1734327-2	T/R	15
	Mini-B	440247-1	1734035-1	Tray	16
		440247-2	1734035-2	T/R	16
	Mini-AB	440479-1	1734328-1	Tray	15
		440479-2	1734328-2	T/R	15
Plug	Mini-A	440315	—	Loose Piece	17
	Mini-B	—	1734205-1	Loose Piece	17

Mini USB Receptacle Assemblies (Continued)

Right Angle SMT



Part Numbers

Mini-A	1734327-1	Tray
	1734327-2	T/R
Mini-B	440247-1	Tray
	440247-2	T/R
Mini-AB	440479-1	Tray
	440479-2	T/R

Performance Data

Electrical


Dielectric Withstanding Voltage — 100 VAC

Current Rating — 1.5A @ 250VAC min.

Insulation Resistance — 100 megaohms min.

Contact Resistance — 50 milliohms max.

Contact Capacitance — 2pf max per contact

Safety Certification — Recognized under the Component Program of Underwriters Laboratories, Inc.  File No. E81956

Mechanical

Durability — 5,000 cycles

Mating Force — 3.57 kg. max.

Unmating Force — .31 kg. min.

Recommended PCB Board Thickness — 1.57 [.062] and 0.80 [.031]

Materials

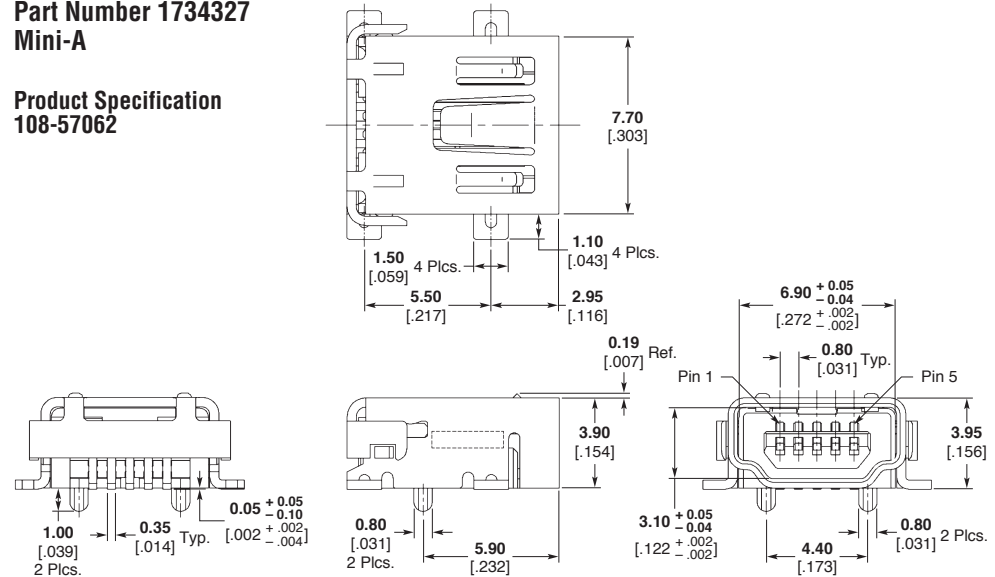
Housing — High temperature, thermoplastic glass filled; UL-94-V-0 rated; color black

Shell — Copper alloy

Contacts — .76 microns Au mating end, tin or tin/lead on solder tails as needed

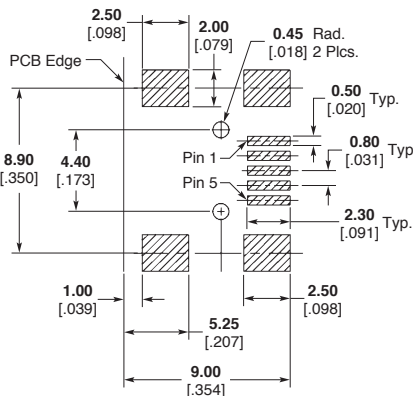
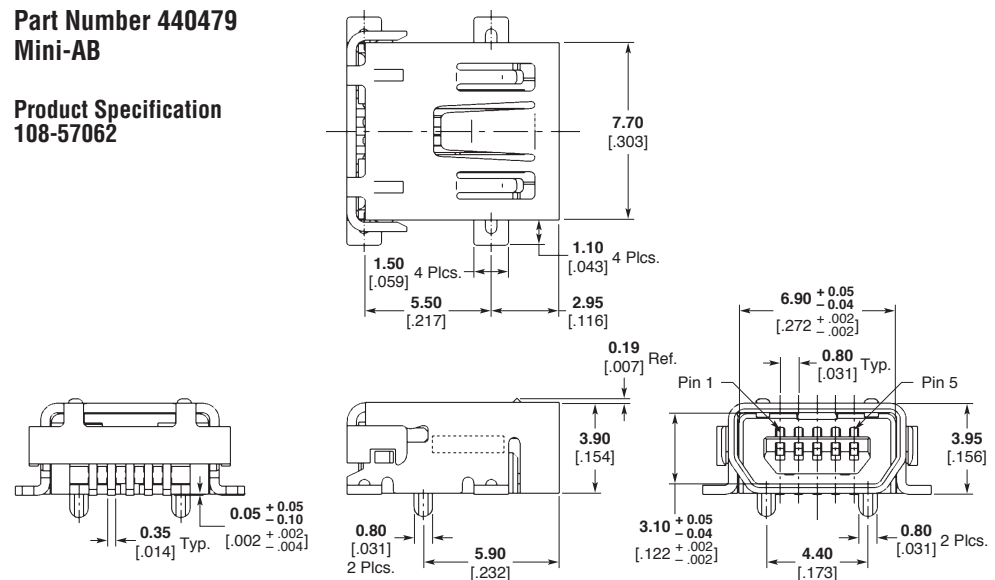
Part Number 1734327
Mini-A

Product Specification
108-57062



Part Number 440479
Mini-AB

Product Specification
108-57062



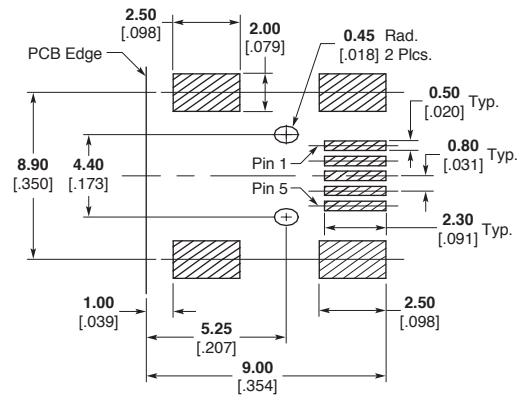
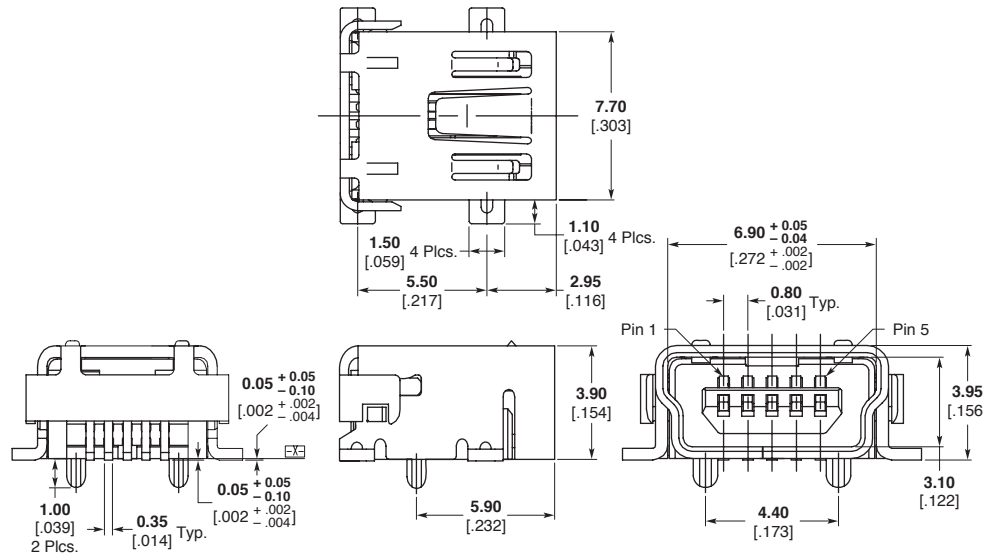
Recommended PCB Layout (Mounting Side)
for Part Numbers 440478 and 440479
Thickness 1.57 [.062]

Mini USB Receptacle Assemblies (Continued)

**Right Angle, SMT
Mini-B**

Part Numbers: 440247
RoHS Compliant: 1734035

**Product Specification
108-57062**

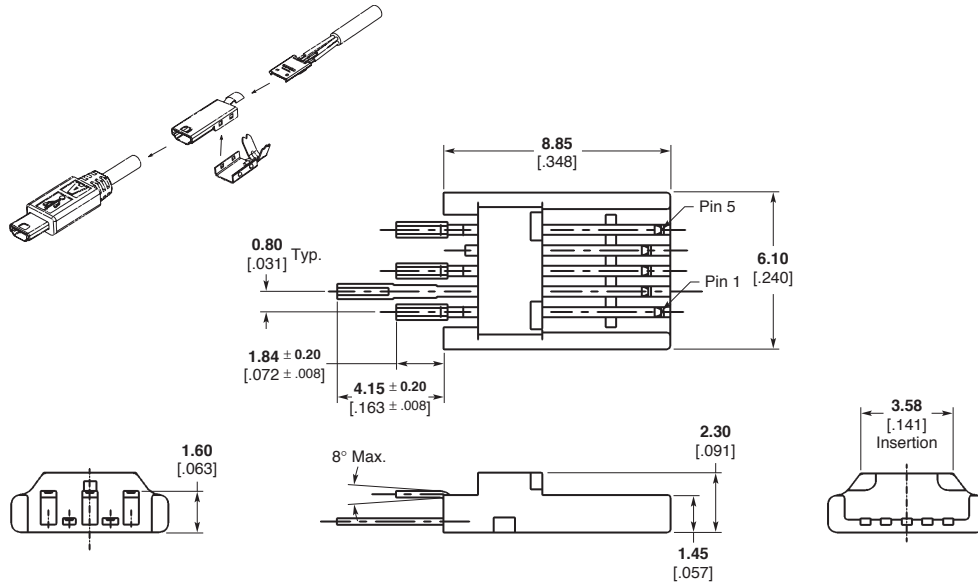


Mini USB Plug Assemblies

**Cable Plug
Mini USB Type A**

**Part Number: 440315-1
Lower Shell: 440315-2
Upper Shell: 440315-3, &
1-440315-3**

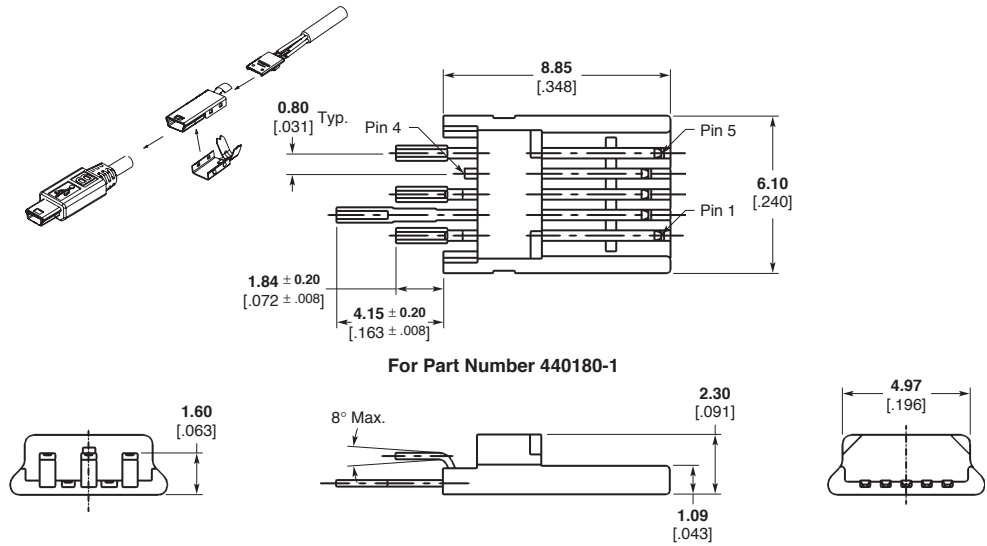
**Product Specification
108-57062**



**Cable Plug
Mini USB Type B**

**Part Number 1734205-1
Lower Shell and Upper
Shell**

**Product Specification
108-57062**

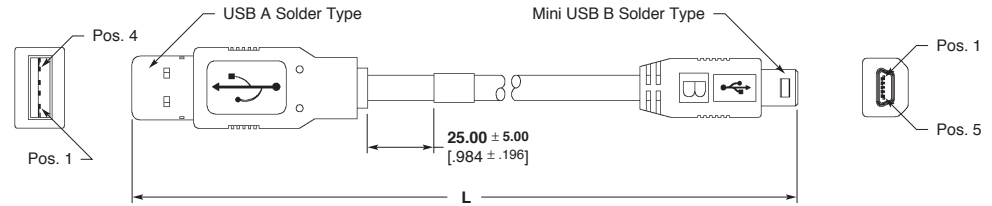


For Part Number 440180-1

For Part Number 1-440180-1

Cable Assembly

We currently offer a number of customer specials, but still only one standard cable assembly.





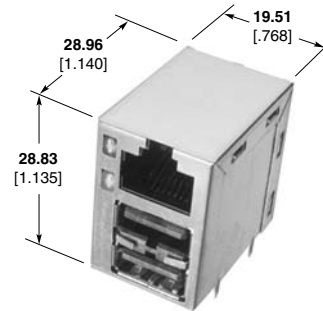
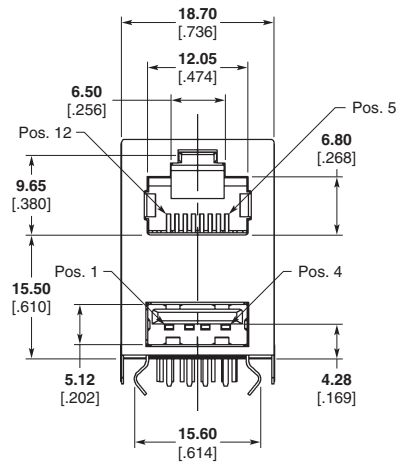
Part Number	Description	Dim. L (Cable Length)
1487586-1	Standard USB-A to Mini-B Assembly	0.500 m
1487586-2	Standard USB-A to Mini-B Assembly	0.250 m
1487586-3	Standard USB-A to Mini-B Assembly	0.162 m
1487586-4	Standard USB-A to Mini-B Assembly	0.310 m
1487587-1	Standard USB-A to Mini-B Assembly	1.000 m
1487587-2	Standard USB-A to Mini-B Assembly	1.300 m
1487587-3	Standard USB-A to Mini-B Assembly	0.830 m
1487588-1	Standard USB-A to Mini-B Assembly	2.000 m
1487588-2	Standard USB-A to Mini-B Assembly	1.500 m
1487588-3	Standard USB-A to Mini-B Assembly	1.829 m
1487589-1	Standard USB-A to Mini-B Assembly	3.000 m
1487589-2	Standard USB-A to Mini-B Assembly	2.500 m
1487590-1	Standard USB-A to Mini-B Assembly	4.000 m
1487590-2	Standard USB-A to Mini-B Assembly	5.000 m
1487591	Standard USB-A to NC Assembly	0.780 – 0.830 m
1487592	Standard USB-A to NC Assembly	0.950 – 1.000 m
1487593-1	Standard USB-A to NC Assembly	2.000 m
1487593-2	Standard USB-A to NC Assembly	1.500 m
1487594-1	Standard USB-A to Mini-B Assembly	0.500 m
1487594-2	Standard USB-A to Mini-B Assembly	0.250 m
1487594-3	Standard USB-A to Mini-B Assembly	0.162 m
1487594-4	Standard USB-A to Mini-B Assembly	0.310 m
1487595-1	Standard USB-A to Mini-B Assembly	1.000 m
1487595-2	Standard USB-A to Mini-B Assembly	1.300 m
1487595-3	Standard USB-A to Mini-B Assembly	0.830 m
1487596-1	Standard USB-A to Mini-B Assembly	2.000 m
1487596-2	Standard USB-A to Mini-B Assembly	1.500 m
1487596-3	Standard USB-A to Mini-B Assembly	1.829 m
1487596-4	Standard USB-A to Mini-B Assembly	1.000 m
1487597-1	Standard USB-A to Mini-B Assembly	3.000 m
1487597-2	Standard USB-A to Mini-B Assembly	2.500 m
1487597-3	Standard USB-A to Mini-B Assembly	3.500 m
1487598-1	Standard USB-A to Mini-B Assembly	4.000 m
1487598-2	Standard USB-A to Mini-B Assembly	5.000 m
1487599	Standard USB-A to NC Assembly	0.780 – 0.830 m
1487600	Standard USB-A to NC Assembly	0.950 – 1.000 m
1487601-1	Standard USB-A to NC Assembly	2.000 m
1487601-2	Standard USB-A to NC Assembly	1.500 m
1496476-1	Standard USB-A to Mini-B Assembly	1.000 m
1496476-2	Standard USB-A to Mini-B Assembly	1.500 m
1496476-3	Standard USB-A to Mini-B Assembly	2.000 m
1496476-4	Standard USB-A to Mini-B Assembly	3.000 m
1496476-5	Standard USB-A to Mini-B Assembly	5.000 m
1496476-6	Standard USB-A to Mini-B Assembly	12"

RJ45 Over USB Series A

Stacked, Thru-Hole

Product Facts

- Meets or exceeds FCC Part 68 rules and regulations; REA PE-76; and UL 1863, Communication Circuit Accessories
- Meets 1000 volt dielectric requirement Contact to Contact
- 20 dB shielding effectiveness from 30 MHz to 400 MHz
- Selectively gold plated contacts for lower cost
- All jacks are UL 94V-0 flame retardant polyester, standard color black, unless specified otherwise
- Listed by Underwriters Laboratories Inc., File No. E81956 
- Certified by Canadian Standards Association, File No. LR 7189A 
- Produced under a Quality Management System Certified to ISO 9001
A copy of the certificate is available upon request



Specifications

Electrical

Current Rating — 1.5 amp max. @ 25°C, derated to 0.2 amp max. @ 70°C ambient
Voltage Rating — 150 volts AC max.
Dielectric Withstanding Voltage — 1000 VAC, RMS, 60 Hz, 1 min. Contact to Contact

Mechanical

PC Board Retention — will not dislodge from pc board when subjected to 1 lb. [4.4N] pull before soldering and 10 lb. [44N] pull after soldering
Durability — 750 mating cycles

Material and Finish

Housing — Through-hole: Polyester (wave solder compatible), UL 94V-0 rated; Surface Mount: Polyphenylene Sulfide, or High Temp Nylon, UL 94V-0 rated
RJ45/2USB Contact — 0.36 [.014] thk. Phosphor bronze; plated 0.00127 [.000050] gold in contact area and 0.00381 [.000150] tin-lead on solder tails, over 0.00127 [.000050] nickel underplate
RJ45/1USB Contact — Gold flash plating on contact area and 0.00254 [.000100] tin on solder tails, over 0.00127 [.000050] nickel underplate

Technical Documents

- Application Specifications**
 114-02048
 114-6040
Product Specifications
 108-01163
 108-01163-1
 108-01163-3
 108-01163-4
 108-01163-7

No. of Ports	Part Number	Positions/Contacts	LEDs	Shielded	Performance	Panel Stops	Inverted	Ground Options
RJ45/1USB	1775855-1	8/8	Without	Yes	Cat 3	Without	No	PCB
RJ45/2USB	1116151-2	8/8	With	Yes	Cat 3	Without	No	PCB
RJ45/2USB	1116151-3	8/8	Without	Yes	Cat 3	Without	No	PCB
RJ45/2USB	1116640-2	8/8	With	Yes	Cat 3	Without	No	PCB

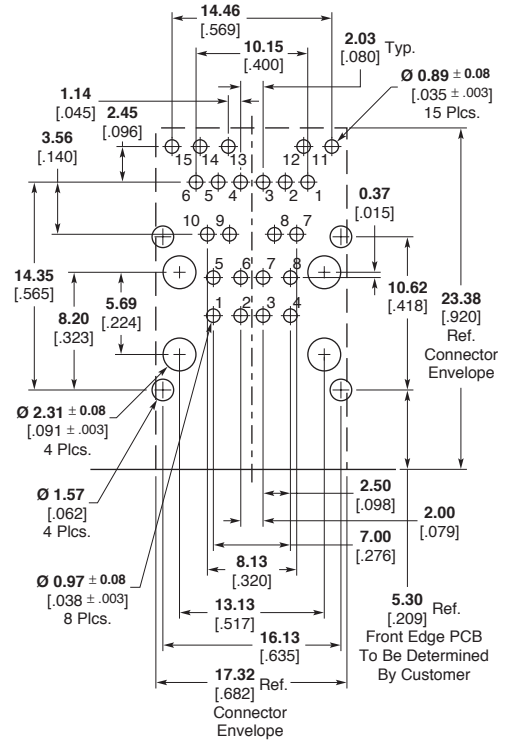
Note: Consult Tyco Electronics Customer Drawing for additional Part Numbers.

MAG45 Modular Jacks with Integrated Magnetics Over Stacked USB Series A

**Stacked, Thru-Hole
USB/RJ45
(10/100 Base-T or Gigabit)**

Product Facts

- USB/RJ45 with integrated magnetics
- 10/100 or Gigabit applications
- Stacked USB type A included
- UL Recognized
- Available with LEDs
- IEEE 802.3 & ANSI X3.263 Compliant
- USB 2.0 Compliant
- Numerous circuit options available
- Supports all appropriate and available PHY Chips and applications
- For assistance in part selection, please refer to the Tyco Electronics E-Catalog
- Your Tyco Electronics Sales Representative or one of the Product Information Centers listed below are also available to assist



PCB Footprint

USB/RJ45*

	10/100 Base-T	10/100 PoE	Gigabit	Gigabit PoE
	✓	No	✓	No

*multiple LED colors with and without resistors available.

10/100	10/100 RoHS Compliant	Gigabit	Gigabit RoHS Compliant
1620004-1	6620004-1	1368162-1	6368162-1
1620002-1	6620002-1	1368472-1	6368472-1
1368532-1	6368532-1	1620009-1	6620009-1

IEEE Over Stacked USB Series A

Stacked, DIP Type

Part Number
1775813

Material and Finish

Housing/Cover/Frame — High temperature thermoplastic, UL94V-0, color black

Contacts —

Shield — Brass with 100µ" min. nickel plating overall, tin hot dipped on solder area;

USB Contact — Phosphor bronze with gold flash plating on contact area, 150µ" bright tin plating on solder tail area, 50µ" min. nickel underplating overall;

USB Shell — Phosphor bronze with 120µ" min. bright tin plating overall, 50µ" min. nickel underplating overall;

USB Clip — Stainless steel;

IEEE1394 Shell — Phosphor bronze with 100µ" min. nickel plating overall;

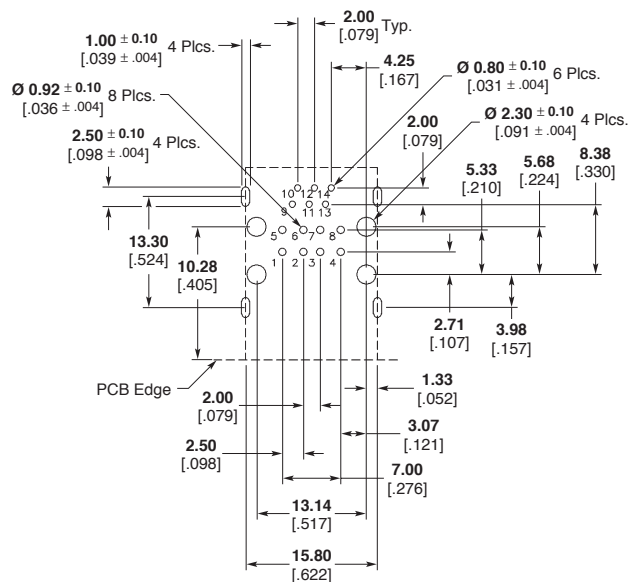
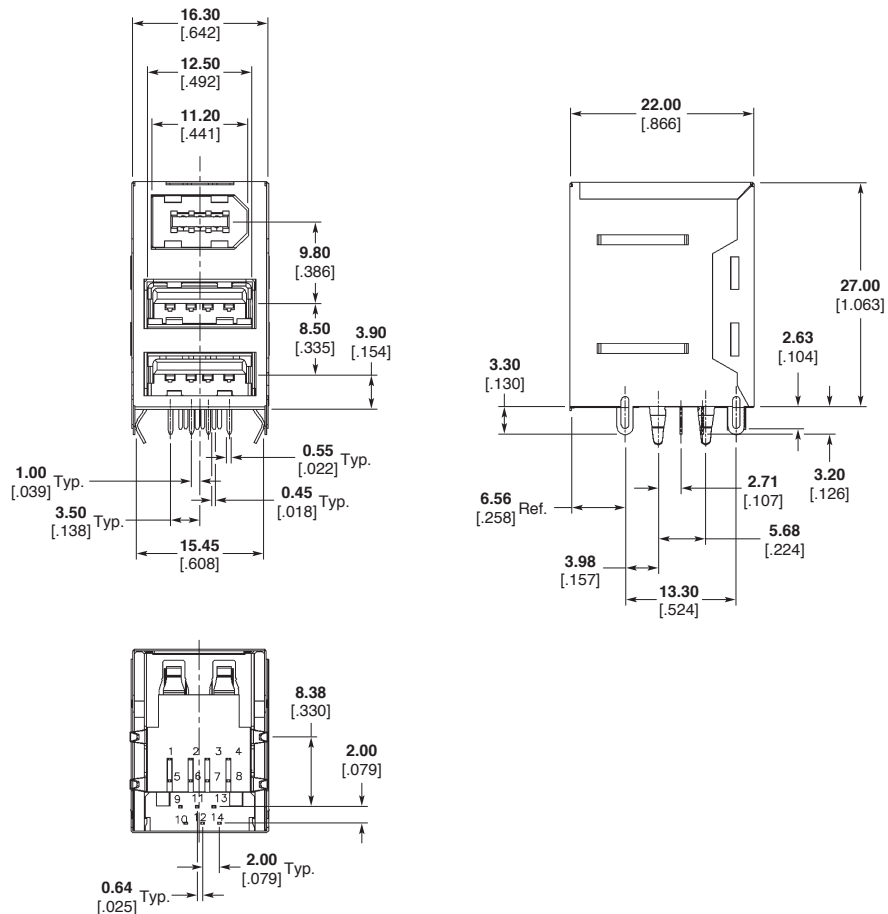
IEEE1394 Contact — Phosphor bronze with 15µ" min. gold plating on contact area, 150µ" min. bright tin plating on solder tail area, 50µ" min. nickel underplating overall.

Recommended PCB Thickness — 1.57 [.062]

Disclaimer

While Tyco Electronics Corporation and its affiliates referenced herein ("Tyco Electronics") have made every reasonable effort to ensure the accuracy of the information in this catalog, Tyco Electronics does not guarantee that it is error-free, nor does Tyco Electronics make any other representation, warranty or guarantee that the information is accurate, correct, reliable or current.

Tyco Electronics reserves the right to make any adjustments to the information contained herein at any time without notice. Tyco Electronics expressly disclaims all implied warranties regarding the information contained herein, including, but not limited to, any implied warranties of merchantability or fitness for a particular purpose. Tyco Electronics' only obligations are those in the Tyco Electronics Standard Terms and Conditions of Sale, and in no case will Tyco Electronics be responsible for any incidental, indirect, or consequential damages arising from the sale, resale, use, or misuse of its products. Users should independently evaluate the suitability of, and test each product for, their application.



Americas

Argentina – Buenos Aires
Phone: +54-11-4733-2200
Fax: +54-11-4733-2211

Brazil – São Paulo
Phone: +55-11-3611-1311
Fax: +55-11-3611-0397

Canada – Toronto
Phone: +905-475-6222
Fax: +905-474-5520

Product Information Center: (Technical Support)
Phone: +905-470-4425
Fax: +905-474-5525

Colombia – Bogota
Phone: +57-1-231-9398
Fax: +57-1-660-0206

Mexico – Mexico City
Phone: +52-55-1106-0800
Fax: +52-5-361-8545

United States – Harrisburg, PA
Phone: +717-564-0100
Fax: +717-986-7575
Product Information Center: (Technical Support)
Phone: +800-522-6752
Fax: +717-986-7575

For Latin/South American Countries not shown
Phone: +54-11-4733-2015
Fax: +54-11-4733-2083

Asia/Pacific

Australia – Sydney
Phone: +61-2-9554-2600
Fax: +61-2-9502-2556
Product Information Center: (Technical Support)
Phone: +61-2-9840-8200
Fax: +61-2-9634-6188

India – Bangalore
Phone: +91-80-285-40800
Fax: +91-80-285-40820

Indonesia – Jakarta
Phone: +65-6482-0311
Fax: +65-6482-1012

Japan – Toyko
Phone: +81-44-844-8111
Fax: +81-44-812-3207
Raychem & Identification Products
Phone: +81-44-844-8183
Fax: +81-44-844-8184
Product Information Center: (Technical Support)
Phone: +81-44-844-8013
Fax: +81-44-812-3200

Korea – Seoul
Phone: +82-2-3415-4500
Fax: +82-2-3486-3810

Malaysia – Kuala Lumpur
Phone: +60-3-78053055
Fax: +60-3-78053066

New Zealand – Auckland
Phone: +64-9-634-4580
Fax: +64-9-634-4586

Philippines – Makati City
Phone: +632-848-0171
Fax: +632-867-8661

People's Republic of China
Hong Kong
Phone: +852-2735-1628
Fax: +852-2735-0243

Shanghai
Phone: +86-21-64857333/64850602
Fax: +86-21-64856222/54260190

Singapore – Singapore
Phone: +65-6482-0311
Fax: +65-6482-1012
Raychem Products
Phone: +65-4866-151
Fax: +65-6545-514
Identification Products
Phone: +65 (0) 6482-0311
Fax: +65 (0) 6481-5514

Taiwan – Taipei
Phone: +886-2-8768-2788
Fax: +886-2-8768-2268

Thailand – Bangkok
Phone: +66-2-955-0500
Fax: +66-2-955-0505

Vietnam and Indochina –
Ho Chi Minh City
Phone: +84-8 930-5546
Fax: +84-8 930-3443

Europe/Middle East/Africa

Austria – Vienna
Phone: +43-1 90 5 60-0
Fax: +43-1 90 5 60-1333

Belgium – Kessel-Lo
Phone: +32-16-35-23-00
Fax: +32-16-35-23-52

Bulgaria – Sofia
Phone: +359-2-971-2152
Fax: +359-2-971-2153

Czech Republic – Kurim
Phone: +420-5-41-162-111
Fax: +420-5-41-162-223

Denmark – Glostrup
Phone: +45-43-480-452
Fax: +45-43-441-414

Egypt – Cairo
Phone: +20-2-417-76-47
Fax: +20-2-419-23-34

Finland – Helsinki
Phone: +358-95-12-34-20
Fax: +358-95-12-34-250

France – Cergy-Pontoise
Phone: +33-1-3420-8888
Fax: +33-1-3420-8600
Product Information Center: (Technical Support)
Phone: +33-1-3420-8943
Fax: +33-1-3420-8623

Germany – Bensheim
Phone: +49-6251-133-0
Fax: +49-6251-133-1600
Product Information Center: (Technical Support)
Phone: +49-6251-133-1999
Fax: +49-6251-133-1988

Germany – Langen
Phone: +49-6103-709-0
Fax: +49-6103-709-1223

Germany – Speyer
Phone: +49-6232-30-0
Fax: +49-6232-30-2243

Germany - HTS Division – Neunkirchen
Phone: +49-2247-305-0
Fax: +49-2247-305-122

Great Britain –
Stanmore Middlesex
Phone: +44-8706-080-208
Fax: +44-1793-572-109
Product Information Center: (Technical Support)
Freephone GB: 0800-267-666
Phone: +44-208-420-8341 or 8343
+44-208-420-8081

Great Britain – Raychem & Identification Products
Phone: +44-1793-528171
Fax: +44-1793-572-516

Greece – Athens
Phone: +30-1-9370-396/397
Fax: +30-1-9370-655

Hungary – Budapest
Phone: +36-1-289-1000
Fax: +36-1-289-1010

Ireland – Dublin
Phone: +353-1-820-3000
Fax: +353-1-820-9790

Israel – Yokneam
Phone: +972-4-959-0508
Fax: +972-4-959-0506

Italy – Collegno (Torino)
Phone: +39-011-4012-111
Fax: +39-011-4031116

Lithuania – Vilnius
Phone: +370-5-2131-402
Fax: +370-5-2131-403

Netherlands – 's-Hertogenbosch
Phone: +31-73-624-62-46
Fax: +31-73-621-23-65
Product Information Center: (Technical Support)
Phone: +31-73-6246-999
Fax: +31-73-6246-998

Norway – Nesbru
Phone: +47-66-77-8886
Fax: +47-66-77-8855

Poland – Warsaw
Phone: +48-22-45-76-700
Fax: +48-22-45-76-720

Romania – Bucharest
Phone: +40-21-311-3479/3596
Fax: +40-21-312-0574

Russia – Moscow
Phone: +7-095-926-5506/07/08/09
Fax: +7-095-926-5505

Russia – St. Petersburg
Phone: +7-812-718-8192
Fax: +7-812-718-8193

Slovenia – Ljubljana
Phone: +386-1561-3270
Fax: +386-1561-3240

South Africa – Port Elizabeth
Phone: +2741-503-4500
Fax: +2741-581-0440

Spain – Barcelona
Phone: +34-93-291-0330
Fax: +34-93-201-7879
Product Information Center: (Technical Support):
Phone: +34-93-291-0330
Fax: +34-93-200-3779

Sweden – Upplands Väsby
Phone: +46-8-50-72-50-00
Fax: +46-8-50-72-50-01

Switzerland – Steinach
Phone: +41-71-447-0447
Fax: +41-71-447-0444

Turkey – Istanbul
Phone: +90-212-281-8181/2/3
Fax: +90-212-281-8184

Ukraine – Kiev
Phone: +380-044-206-2265
Fax: +380-044-206-2264

For Middle East/African Countries Not Shown
Phone: +33-1-3420-8866
Fax: +33-1-3420-8300

Need more information?

Call Technical Support at the numbers listed below.

Technical Support is staffed with specialists well versed in Tyco Electronics products. They can provide you with:

- Technical support
- Catalogs
- Technical Documents
- Product Samples
- Authorized Distributor Locations