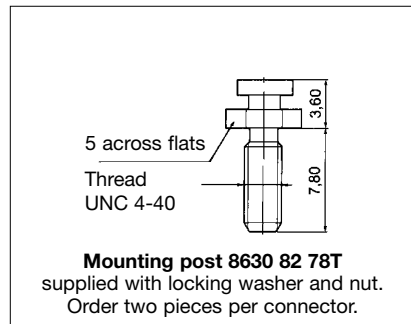
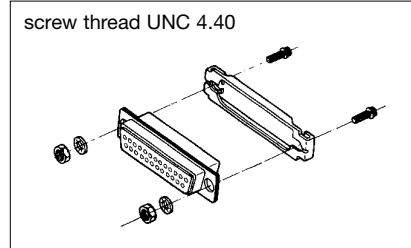
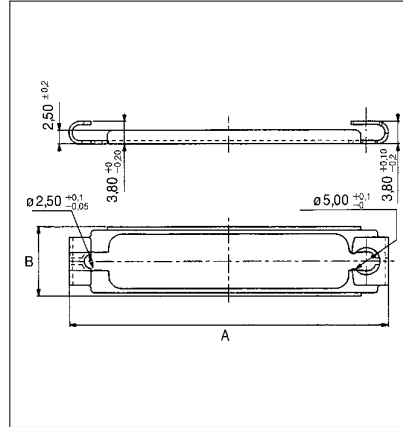


D.Subminiatures connectors and accessories





12. Slide locks (reinforced plate)



Shell size	Part numbers standard plate	Part numbers plate with short screws for mounting on straight spill connector with harpoon	A ± 0,25	B ± 0,05 / 0,40
E	8630-77A	8655-2163	35.70	12.50
A	8630-78A	8655-2164	44	12.50
B	8630-79A	8655-2165	57.75	12.50
C	8630-80A	8655-2166	74.25	12.50
D	8630-81A	8655-2167	71.85	15.00

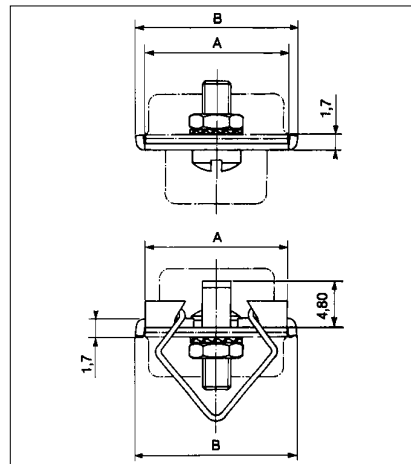
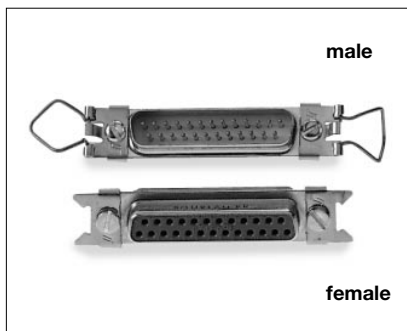
Material: steel

Plating: tin

Packaging: per 100 pieces

Mounting post 8630 82 78T
supplied with locking washer and nut.
Order two pieces per connector.

13. Lever locks



Shell size	A	B	M3 thread		UNC 4.40 thread	
			Female	Male	Female	Male
E, A, B, C	12.50	14.30	8630-3425	8655-2096	8630-3425-060	8655-2098
D	15.30	17.10	8630-3426	8655-2097	8630-3426-060	8655-2099

Material: steel

Plating: passivated

Packaging: per 100 pieces

14. Specific lever locks for straight Delta D serie with harpoons

Shell size	M3 thread		UNC 4.40 thread	
	Female	Male	Female	Male
E, A, B, C	8630-3425	8655-20961A	8630-3425-060	8655-20981A
D	8630-3426	8655-20971A	8630-3426-060	8655-20991A