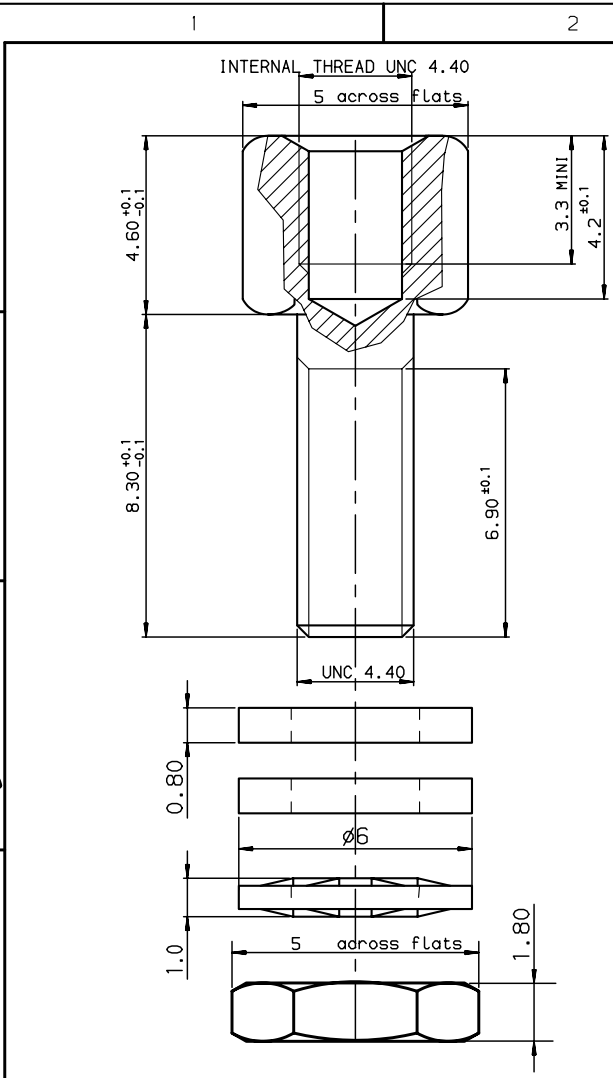


Copyright FCI.



TECHNICAL CHARACTERISTICS :

Female screw locks: brass, tin lead
 Compensating washer: steel, tin lead
 Nuts: steel, tin lead
 Corrosion resistance: 24 hours.

NOTE:RoHS INFORMATIONS

- The "LF" products meet European union Directives and other country regulations as described in G5-22-008.
- Plating Sn (pure bright) over copper
- Packaging spec: see G5-14-920

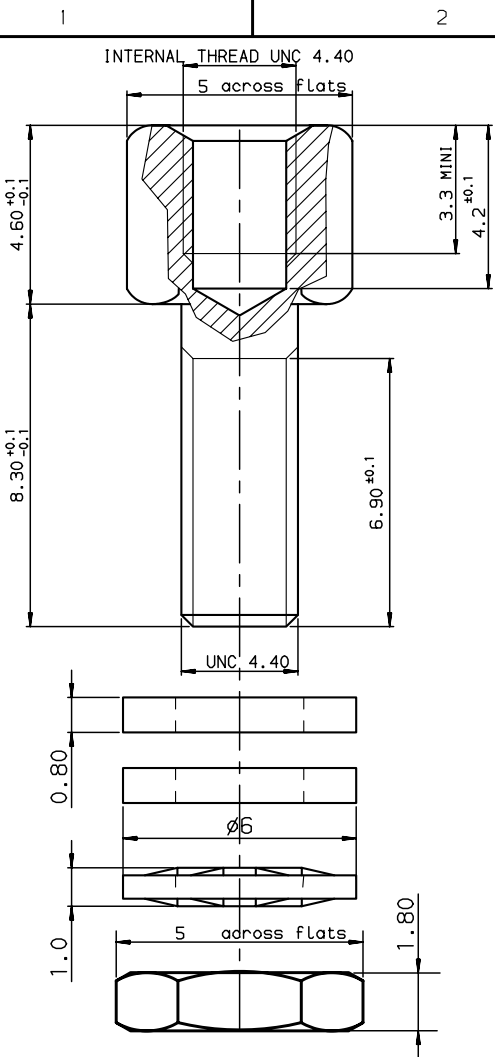
Core range	
PART NUMBER	863001060TLF
PACKAGING:	per 100 pieces

rev	ecn no	dr	date
C	-	SBA	2003/04/15
D	LS05-0026	LMA	2005/02/09
E	LS06-0097	LGO	2006/07/28
F	LS08-0192	MPE	2008/09/12
G	LS09-0006	PCR	2009/01/08
H	LS09-00E3	PCR	2009/03/25
-	-	-	-

www.fciconnect.com		surface ISO 1302	tolerance std ISO 406 ISO 1101	projection A3	mm
TOLERANCES UNLESS OTHERWISE SPECIFIED					
Dr	JOUBERT	1996/01/28	ANGULAR	0.X	±0.1
Eng	JOUBERT	1996/01/28	LINEAR	0.XX	±0.1
Chr	LEGARE	1996/01/28	0.III'	0.XXX	±0.1
Appr	LEGARE	1996/01/28	Product family D-SUB Spec ref -		
Title		FEMALE SCREW LOCK		Rev.	
D SUB ACCESSORIES		catalog no		Rev.	
		avg no	C01-8655-0697-1	Rev.	H
		CUSTOMER sheet 1 of 2			

REV F - 2006-04-17

PDM: Rev:H STATUS:Released Printed: Jan 18, 2011



TECHNICAL CHARACTERISTICS :

- Female screw Locks: brass, tin lead
- Compensating washer: steel, tin lead
- Nuts : steel, tin lead
- Corrosion resistance : 24 hours .

NOTE:RoHS INFORMATIONS

- The "LF" products meet European union Directives and other country regulations as described in 65-22-008.
- Plating 5n (pure bright) over copper
- Packaging spec: see 65-14-920

Core range
 LEAD FREE NUMBER 86552029TLF PACKAGING:per 1000 pieces

European Views

www.fciconnect.com		surface ISO 1302	tolerance std ISO 406 ISO 1101	projection A3	mm
TOLERANCES UNLESS OTHERWISE SPECIFIED					
Dr	JOUBERT	1996/01/26	ANGULAR	0.X	±0.1
Eng	JOUBERT	1996/01/26	LINEAR	0.XX	±0.1
Chr	LEGARE	1996/01/26	0.III' ±2'	0.XXX	±0.1
Appr	LEGARE	1996/01/26	Product family D-SUB Spec ref -		
Title FEMALE SCREW LOCK		Dwg no C01-8655-0697-2		Rev. F	
D SUB ACCESSORIES		catalog no		CUSTOMER sheet 2 of 2	

rev	ecn no	dr	date
C	-	SBA	2003/04/15
D	LS05-0026	LMA	2005/02/09
E	LS06-0097	LGO	2006/07/28
F	LS09-0006	PCR	2009/01/08
G	LS09-0063	PCR	2009/03/25
-	-	-	-
-	-	-	-

Copyright FCI.

REV F - 2006-04-17