

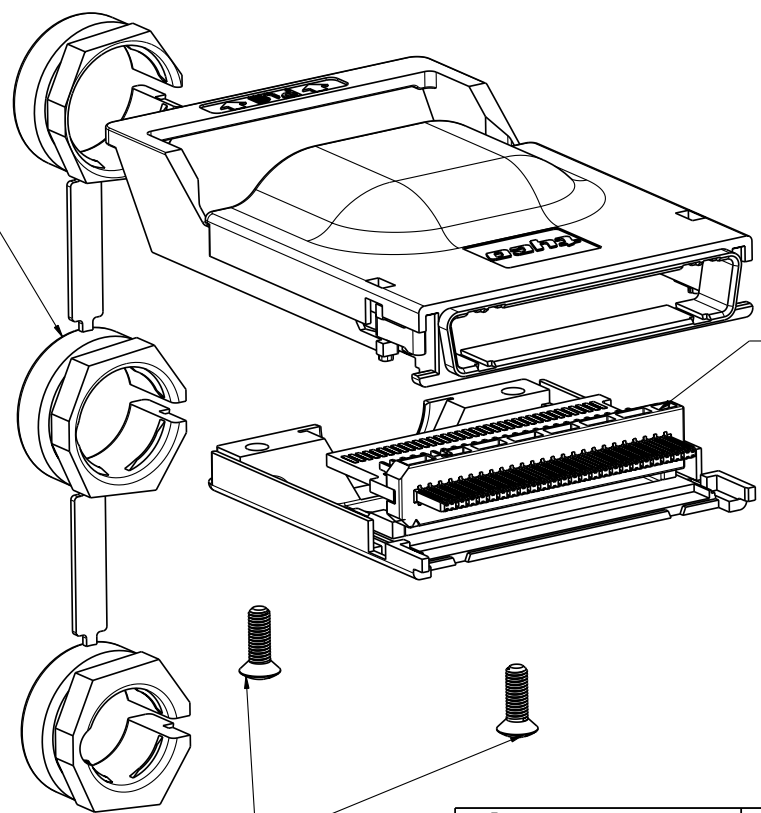
Tous droits strictement réservés. Reproduction ou communication à des tiers interdite sous quelque forme que ce soit sans la permission écrite de la Propriété de FCI. Droits de reproduction FCI.



All rights strictly reserved. Reproduction or issue to third parties in any form whatever is not permitted without written permission of FCI. Copyright FCI.

PRODUCT NO.
SEE TABLE

CABLE COLLAR: 3 SIZES ARE AVAILABLE: SEE APPLICATION SPEC. GS-20-026 TO SELECT THE CORRECT SIZE FOR THE DIAMETER OF CABLE.



PLUG ASSEMBLY: WITH OR WITHOUT PCB, SEE CHART ON SHEET 5.

M2.5 x .45 OVAL HEAD SCREWS, 2X

TOLERANCES UNLESS OTHERWISE SPECIFIED			
LINEAR	0.X	±.3	
	0.XX	±.10	
	0.XXX	±.050	
ANGULAR	0°	±2°	

rev	ecn no	dr	date
A	V03-0152	GIP	04/03/03
B	V03-0584	GIP	05/30/03
C	V03-0971	DAI	10/23/03
D	V04-0008	DAI	01/28/04
E	V05-0064	TAB	03/04/05
F	V05-0528	DAI	06/30/05

FCI		www.fciconnect.com	surface 3.2 ASME Y14.5	tolerance ASME Y14.5	projection	MM
Dr	G. PETERS	04/03/03	Product family	EYEMAX(tm)	size	A4
Eng	D. BRANN	04/03/03	Spec ref	-	Scale	3:2
Chr	G. PETERS	04/03/03	Material	SEE NOTES	ECN	V05-0528
Appr	D. BRANN	04/03/03				
12X PLUG KIT					dwg no	10019364
For TYCO					Rev.	F
catalog no					CUSTOMER	sheet 1 of 5

PDM: Rev:F

STATUS: Released

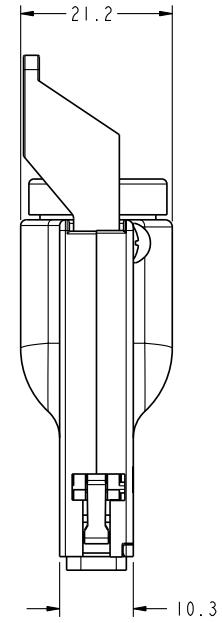
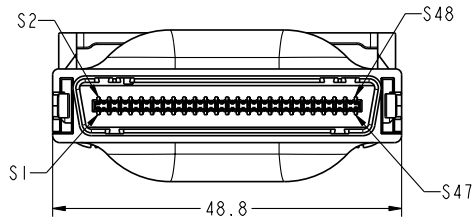
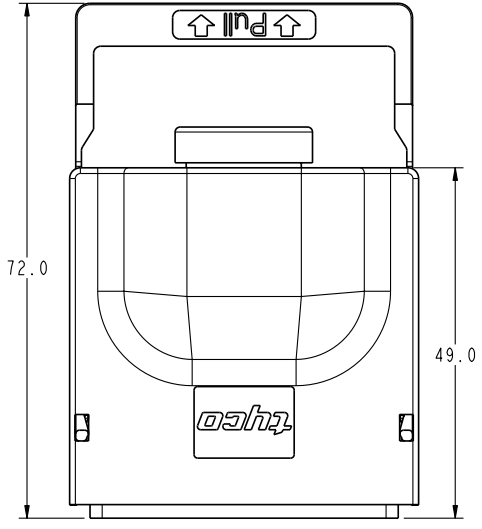
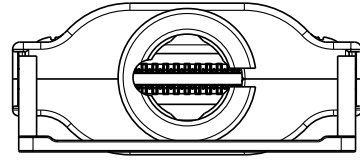
4 Printed: Jul 22, 2010

Tous droits strictement réservés. Reproduction ou communication à des tiers interdite sous quelque forme que ce soit sans l'autorisation écrite du propriétaire. Property of FCI. - Droits de reproduction FCI.



All rights strictly reserved. Reproduction or issue to third parties in any form whatever is not permitted without written permission of the owner. Property of FCI. - Copyright FCI.

PRODUCT NO.
SEE TABLE



title	12X PLUG KIT	Rev.	F
	For TYCO	Rev.	F
catalog no	-	customer	CUSTOMER
		sheet	2 of 5

3 PDM: Rev:F STATUS Released 4 Printed: Jul 22, 2010

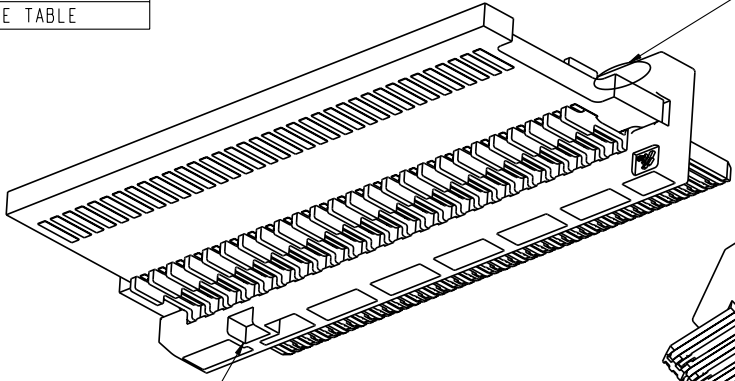
Tous droits strictement réservés. Reproduction ou communication à des tiers interdite sous quelque forme que ce soit sans la permission écrite de la propriété de FCI. - Droits de reproduction FCI.



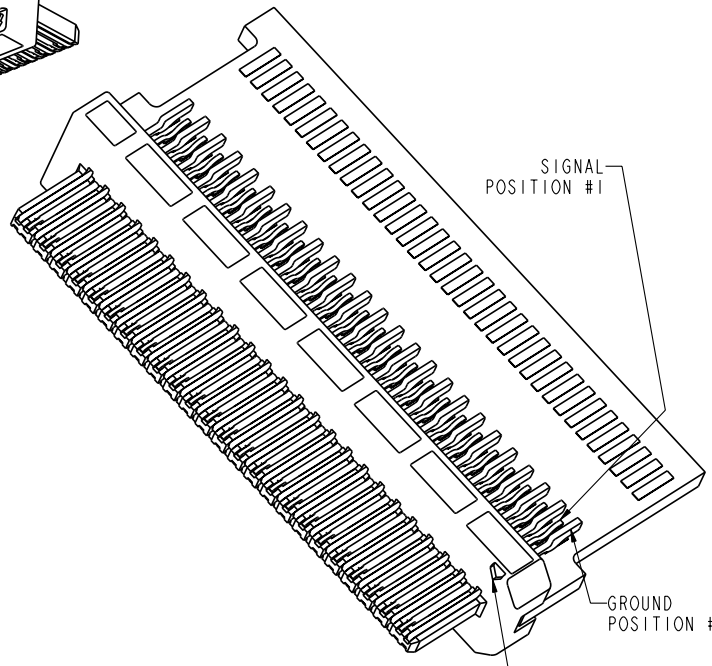
All rights strictly reserved. Reproduction or issue to third parties in any form whatever is not permitted without written permission of FCI. - Copyright FCI.

PRODUCT NO.
SEE TABLE

DATE CODE AREA



KEYING FEATURE
SCALE 3:1



SIGNAL
POSITION #1

GROUND
POSITION #1

POSITION #1 MARK
SCALE 3:1

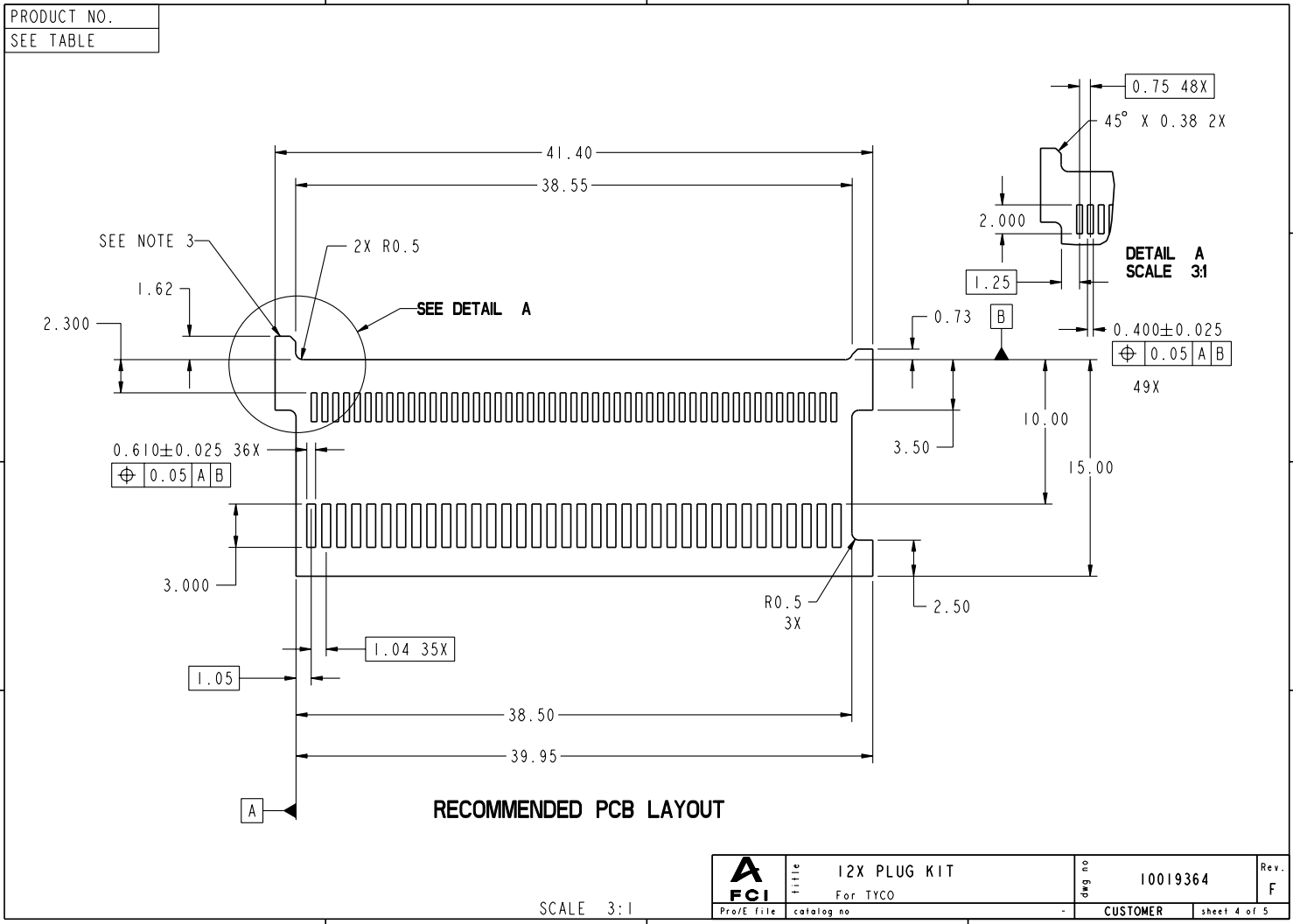
title	12X PLUG KIT For TYCO	diag no	10019364	Rev.	F
catalog no			CUSTOMER	sheet 3 of 5	

3 PDM: Rev:F STATUS Released 4 Printed: Jul 22, 2010

Tous droits strictement réservés. Reproduction ou communication à des tiers interdite sous quelque forme que ce soit sans l'autorisation écrite de la propriété de FCI. Droits de reproduction FCI.



All rights strictly reserved. Reproduction or issue to third parties in any form whatever is not permitted without written permission of FCI. Copyright FCI.



RECOMMENDED PCB LAYOUT

SCALE 3:1

PDM: Rev:F

STATUS Released

4 Printed: Jul 22, 2010

Tous droits strictement réservés. Reproduction ou communication à des tiers interdite sous quelque forme que ce soit. Toute réimpression est formellement interdite. Propriété de FCI. Droits de reproduction FCI.



All rights strictly reserved. Reproduction or issue to third parties in any form whatever is not permitted without written permission of FCI. Copyright FCI.

* PRODUCT NUMBER	DESCRIPTION
10019364-001	TYCO PLUG KIT WITH UNEQUALIZED PCB
10019364-002	TYCO PLUG KIT WITHOUT PCB
10019364-003	TYCO PLUG KIT WITH EQUALIZED PCB WITHOUT COMPONENTS
10019364-004	TYCO PLUG KIT WITH EQUALIZED PCB WITH COMPONENTS

* ADD LF TO END OF PART NUMBER FOR LEAD FREE SOLDER TAILS
 EXAMPLE: 10019364-001LF, SEE LEAD FREE NOTES BELOW.

NOTES:

1. PACKAGING SPECIFICATION: GS-14-794
2. APPLICATION SPECIFICATION GS-20-026 FOR PADDLE CARD AND CABLE TERMINATION DETAILS.
3. PRODUCT SPECIFICATION GS-12-209
4. MATERIAL:
 - CONTACTS: COPPER ALLOY WITH GOLD OVER NICKEL PLATING IN THE CONTACT AREA AND TIN/LEAD PLATING ON SOLDER TAIL UNLESS PART NUMBER ENDS LF, LEAD FREE SOLDER TAIL PLATING 2um (80u") MIN MATTE TIN OVER 1.27um (50u") MIN NICKEL UNDERPLATE.
 - HOUSING: HIGH TEMPERATURE THERMOPLASTIC, UL 94V-0 RATED, SUITABLE FOR REFLOW SOLDERING.
 - SHELLS: ZINC WITH NICKEL PLATING AND COPPER UNDERPLATING
 - PULL TAB & CABLE COLLAR: THERMOPLASTIC
 - LATCH: STAINLESS STEEL
5. MATES WITH RECEPTACLE 58366 OR 58367.

LEAD FREE NOTES:

1. IF LEAD FREE PART NUMBER, THE HOUSING WILL WITHSTAND EXPOSURE TO 260°C PEAK TEMPERATURE FOR 10 SECONDS IN A WAVE SOLDER APPLICATION WITH A 1.60mm MIN THICK CIRCUIT BOARD.
2. PACKAGING OF LEAD FREE PRODUCTS MEETS LABELING AND PACKAGING SPECIFICATION GS-14-920.
3. LEAD FREE PRODUCTS MEET EUROPEAN UNION DIRECTIVES AND OTHER COUNTRY REGULATIONS AS DESCRIBED IN GS-22-008.

PCB NOTES:

1. PADS ON BOTH SIDES OF PCB.
2. DIMENSIONS APPLY TO BOTH SIDES OF PCB LOCATED FROM DATUM A & B.
3. THIS AREA NOT TO BE USED TO LOCATE SOLDER TAILS TO SOLDER PADS. THIS AREA IS TO AID IN ASSEMBLY BY LIMITING THE TOP & BOTTOM MOVEMENT OF THE PADDLE CARD.
4. PCB THICKNESS: 1.57mm (.062).

title	12X PLUG KIT	dwg no	10019364	Rev.	F
	For TYCO				
catalog no	-	CUSTOMER	sheet 5 of 5		

3 PDM: Rev:F

STATUS Released

4 Printed: Jul 22, 2010

A
B
C
D