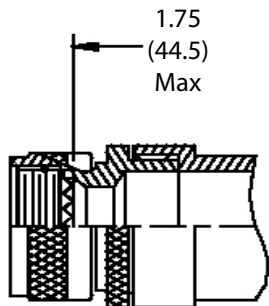
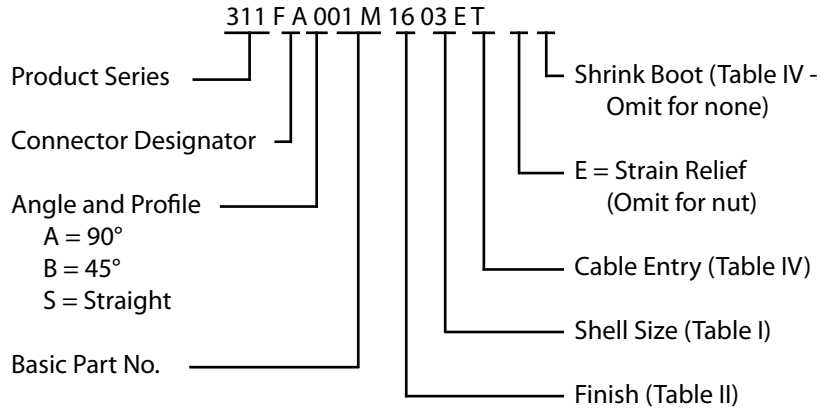


CONNECTOR
DESIGNATORS

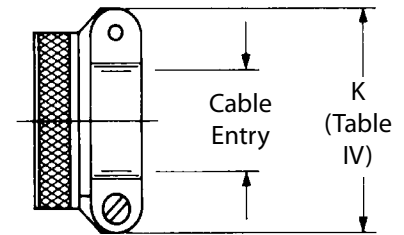
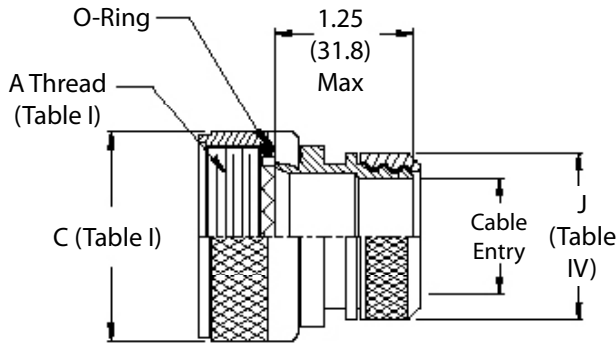
A-F-H

J-L-S

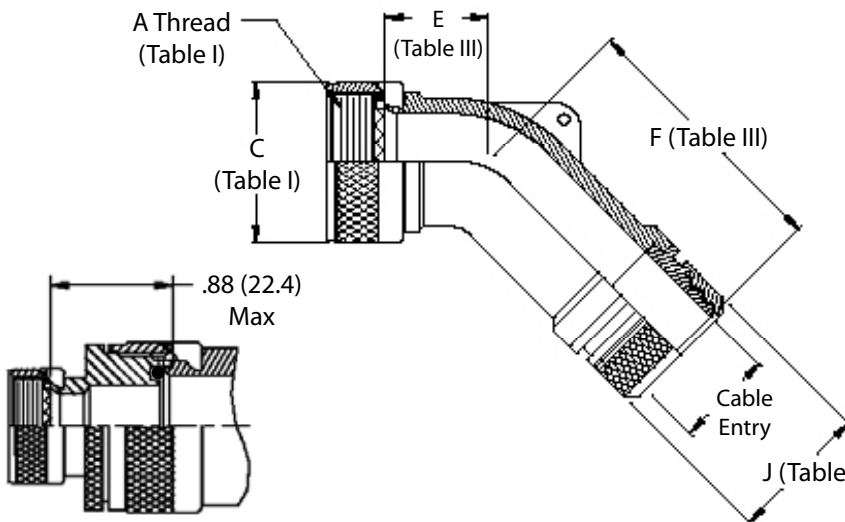
ROTATABLE
COUPLING



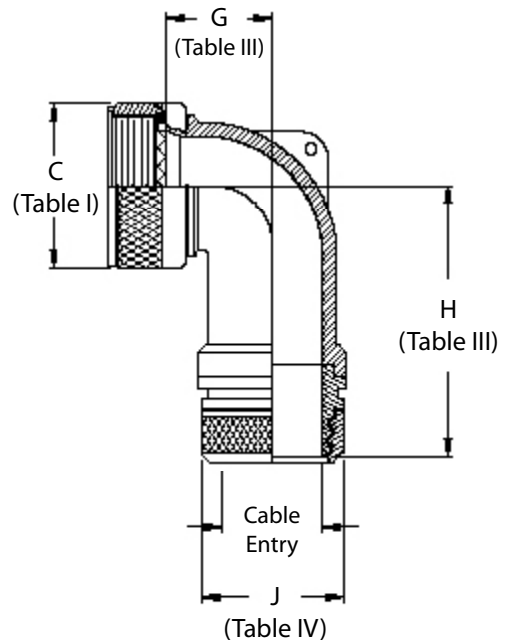
STYLE 2 (STRAIGHT
See Note 5)



STYLE E
STRAIN RELIEF



STYLE 2
(45° & 90°
See Note 5)



See inside back cover fold-out
or pages 13 and 14
for unabridged Tables I and II.

TABLE III: DIMENSIONS

| SHELL SIZE | | E | F | G | H |
|------------|----|--------------|--------------|--------------|--------------|
| A-F-J-L-S | H | Max | Max | Max | Max |
| 08 | 09 | .457 (11.6) | 1.630 (41.4) | .500 (12.7) | 1.640 (41.7) |
| 10 | 11 | .520 (13.2) | 1.690 (42.9) | .595 (15.1) | 1.760 (44.7) |
| 12 | 13 | .582 (14.8) | 1.750 (44.5) | .610 (15.5) | 1.780 (45.2) |
| 14 | 15 | .645 (16.4) | 1.840 (46.7) | .700 (17.8) | 1.850 (47.0) |
| 16 | 17 | .738 (18.7) | 1.950 (49.5) | .885 (22.5) | 1.940 (49.3) |
| 18 | 19 | .926 (23.5) | 2.140 (54.4) | .975 (24.8) | 2.110 (53.6) |
| 20 | 21 | .926 (23.5) | 2.140 (54.4) | .975 (24.8) | 2.110 (53.6) |
| 22 | 23 | 1.020 (25.9) | 2.290 (58.2) | 1.125 (28.6) | 2.220 (56.4) |
| 24 | 25 | 1.020 (25.9) | 2.290 (58.2) | 1.125 (28.6) | 2.220 (56.4) |
| 28 | | 1.145 (29.1) | 2.340 (59.4) | 1.225 (31.1) | 2.390 (60.7) |
| 32 | | 1.207 (30.7) | 2.440 (62.0) | 1.575 (40.0) | 2.640 (67.1) |
| 36 | | 1.238 (31.4) | 2.530 (64.3) | 1.775 (45.1) | 2.640 (67.1) |

TABLE IV: CABLE ENTRY AND SHRINK BOOT

| Dash No. | J Max | K Max | Cable Entry Max | Shrink Boot |
|----------|--------------|--------------|-----------------|-------------|
| 01 | .448 (11.4) | .781 (19.8) | .125 (3.2) | N/A |
| 02 | .515 (13.1) | .968 (24.6) | .250 (6.4) | 770-003S111 |
| 03 | .640 (16.3) | 1.046 (26.6) | .375 (9.5) | 770-003S112 |
| 04 | .765 (19.4) | 1.156 (29.4) | .500 (12.7) | 770-001S103 |
| 05 | .920 (23.4) | 1.219 (31.0) | .625 (15.9) | 770-001S103 |
| 06 | 1.015 (25.8) | 1.343 (34.1) | .750 (19.1) | 770-001S104 |
| 07 | 1.140 (29.0) | 1.469 (37.3) | .875 (22.2) | 770-001S105 |
| 08 | 1.265 (32.1) | 1.594 (40.5) | 1.000 (25.4) | 770-001S106 |
| 09 | 1.432 (36.4) | 1.719 (43.7) | 1.125 (28.6) | 770-001S107 |
| 10 | 1.515 (38.5) | 1.844 (46.8) | 1.250 (31.8) | 770-001S107 |
| 11 | 1.640 (41.7) | n/a | 1.375 (34.9) | 770-001S107 |
| 12 | 1.765 (44.8) | n/a | 1.500 (38.1) | 770-001S107 |
| 13 | 2.015 (51.2) | n/a | 1.750 (44.5) | 770-001S108 |

1. Cable Entry is defined as the accommodation range for the wire bundle dimensions shown are not intended for inspection criteria.
2. See Shrink Boot Reference Information (page 40).
3. Metric dimensions (mm) are indicated in parentheses.
4. O-Rings not supplied with Connector Designator A.
5. When maximum entry (page 21) is exceeded, Style 2 will be supplied. Dimensions E, F, G & H will not apply. Please consult factory.
6. Shrink boot is not applicable for strain relief option. Please consult factory.

TABLE II - STANDARD FINISHES

| GLENAIR SYMBOL | FINISH |
|----------------|---|
| B | Cadmium Plate, Olive Drab |
| M | Electroless Nickel |
| NF | Cadmium Plate, Olive Drab Over Electroless Nickel |

See Inside Back Cover for Complete Finish Information and Additional Finish Options