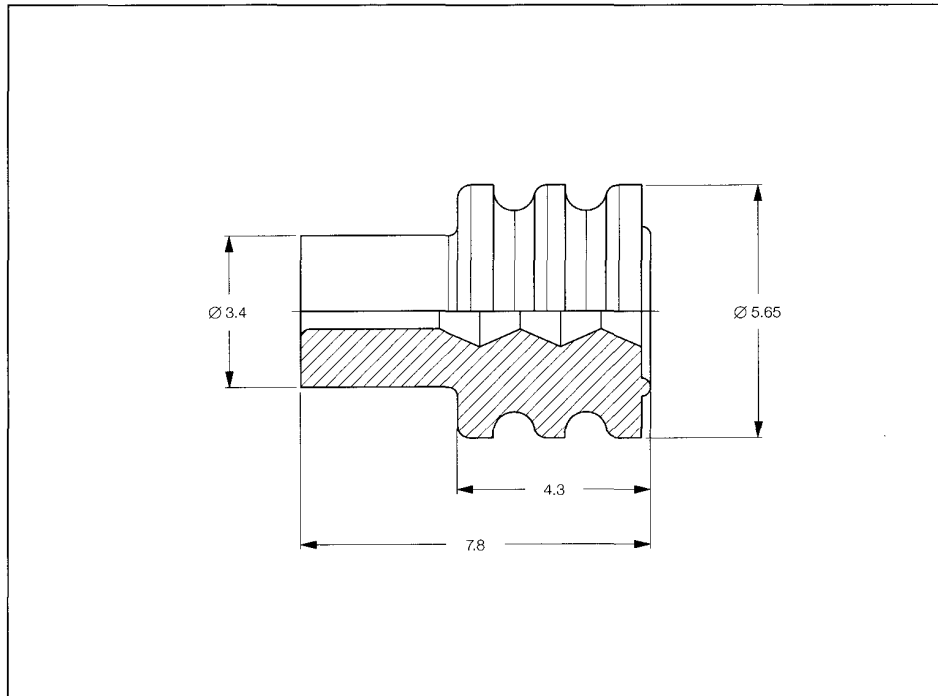


Single Wire Seals and Cavity Plugs

Single Wire Seals and Cavity Plugs for AMP MCP 2.8K Contact System (Cavity Diameter 5.2 mm)



Insulation Diameter (mm)	Color	Part Number	Package Quantity
1.2-2.1	Blue	963294-1	5,000
2.0-2.7	Red-Brown	963293-1	5,000
2.7-3.0	Yellow	963292-1	5,000
Cavity Plug	Natural	828922-1	10,000
	Green	828922-2	10,000

