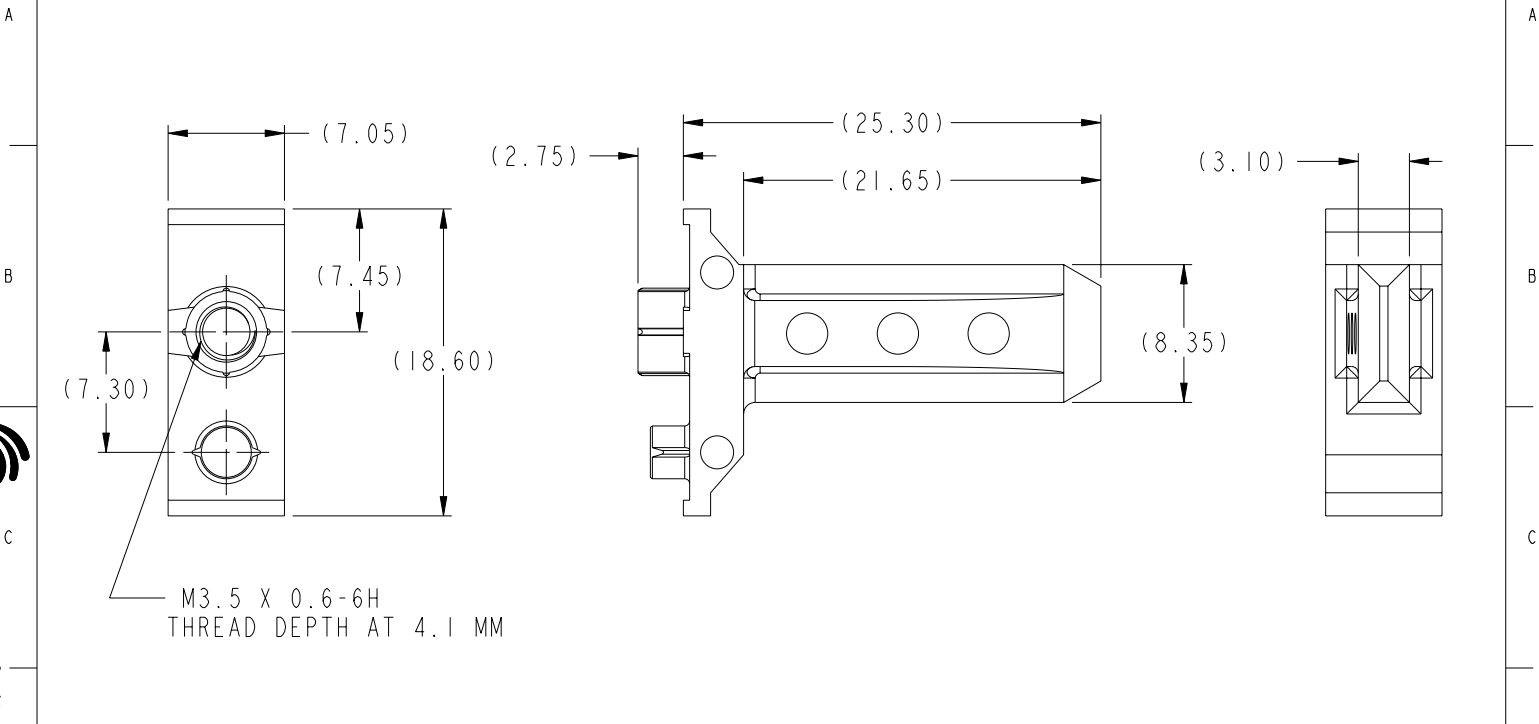


PRODUCT NUMBER
10066832-101LF



FCJ
Copyright FCJ.

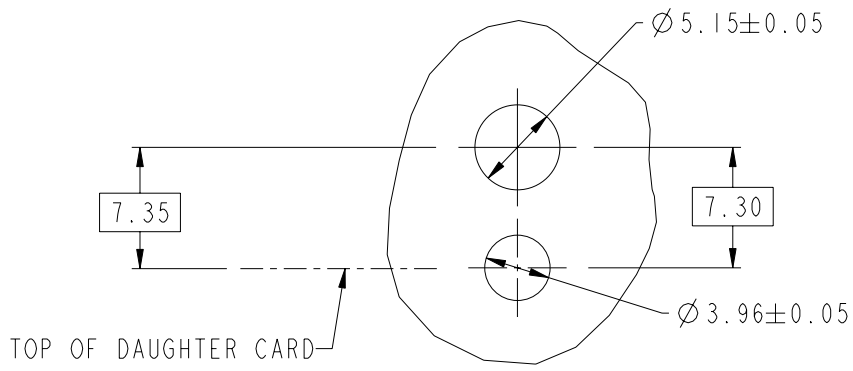
www.fciconnect.com				surface 3.2 ASME Y14.5		tolerance std ASME Y14.5		projection MM		
				TOLERANCES UNLESS OTHERWISE SPECIFIED						
Dr	C. H. TAN	2006-03-08	ANGULAR	0.X	±0.3	size	A4	Scale	2:1	
Eng	C. H. TAN	2006-03-08	LINEAR	0.XX	±0.10	ECN				
Chr	C. H. TAN	2006-12-01	0° ±2°	0.XXX	±0.050	Product family	AirMax Accessories			
Appr	JOEY NG	2006-12-01	Spec ref							
FCJ		7.2mm GUIDE PIN				on band	10066832		Rev.	A
		25.3mm LONG, W/ INTERNAL THREAD				catalog no	CUSTOMER		sheet 1 of 2	

REV F - 2006-04-17

PDM: Rev:A STATUS:Released⁴ Printed: Dec 01, 2010



Copyright FCJ.



SEE NOTE 3 & 4
SCALE 3:1

1. MATERIAL: ZINC ALLOY.
2. FINISH: ZINC YELLOW CHROMATE.
- ③ APPLICATION SPECIFICATION: GS-20-045
- ④ REFER TO CUSTOMER DRAWING 10035911 FOR INFORMATION REGARDING PCB LAYOUT OF POWER AND GUIDE MODULES RELATIVE TO SIGNAL MODULES.
5. THIS PRODUCT MEETS EUROPEAN UNION DIRECTIVES AND OTHER COUNTRY REGULATIONS AS DESCRIBED IN GS-22-008
6. PACKAGING MEETS GS-14-920 LEAD FREE LABELING SPECIFICATION.

	title	7.2mm GUIDE PIN	drg no	10066832	Rev.	A
	description	25.3mm LONG, W/ INTERNAL THREAD		customer		sheet 2 of 2
	catalog no	-	CUSTOMER			

REV F - 2006-04-17