

M38999/9 Dummy Stowage Receptacle



Dummy
Stowage
Receptacles

Mating Connector
MIL-DTL-38999
Series I

M38999/9-11 B
Basic Part No. _____
Shell Size _____
Finish
B = Cadmium Olive Drab
over Electroless Nickel

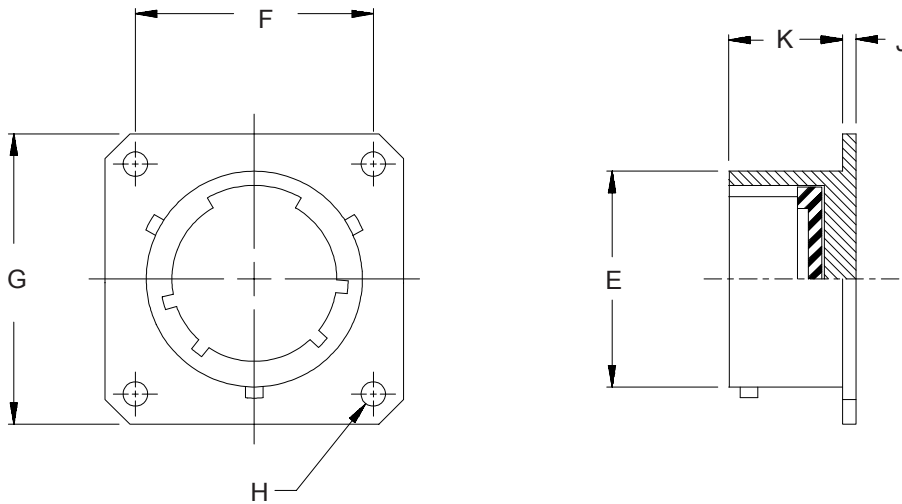


TABLE I

Shell Size	E Max	F Dim	G Max	H Nom	J Max	K ±.010 (.3)
9	.572 (14.5)	.719 (18.3)	.958 (24.3)	.128 (3.3)	.085 (2.2)	.727 (18.5)
11	.701 (17.8)	.812 (20.6)	1.051 (26.7)	.128 (3.3)	.085 (2.2)	.727 (18.5)
13	.851 (21.6)	.906 (23.0)	1.145 (29.1)	.128 (3.3)	.085 (2.2)	.727 (18.5)
15	.976 (24.8)	.969 (24.6)	1.239 (31.5)	.128 (3.3)	.085 (2.2)	.727 (18.5)
17	1.101 (28.0)	1.062 (27.0)	1.332 (33.8)	.128 (3.3)	.085 (2.2)	.727 (18.5)
19	1.208 (30.7)	1.156 (29.4)	1.458 (37.0)	.128 (3.3)	.085 (2.2)	.727 (18.5)
21	1.333 (33.9)	1.250 (31.8)	1.582 (40.2)	.128 (3.3)	.115 (2.9)	.697 (17.7)
23	1.458 (37.0)	1.375 (34.9)	1.708 (43.4)	.147 (3.7)	.115 (2.9)	.697 (17.7)
25	1.583 (40.2)	1.500 (38.1)	1.832 (46.5)	.147 (3.7)	.115 (2.9)	.697 (17.7)

1. For complete dimensions see applicable Military Specification.
2. Metric dimensions (mm) are indicated in parentheses.