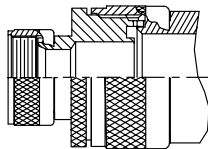




AS85049/6 and MS3189A EMI/RFI Environmental Backshells

**Glenair Connector
Designator A**

**MIL-DTL-5015 Series 3400,
MIL-DTL-26482 Series 2,
AS81703 Series 3,
MIL-DTL-83723 Series I &
III, 40M39569, DEF 5326-3,
EN 2997, EN 3646,
ESC 10, ESC 11, LN 29504,
NFC93422 Series HE302,
PAN 6432-1, PAN 6432-2,
PATT 602**



STYLE 2

1. For complete dimensions see applicable Military Specification.
2. Metric dimensions (mm) are indicated in parentheses.
3. When maximum cable entry is exceeded, Style 2 will be supplied.
4. Cable range is defined as the accommodations range for the wire bundle or cable. Dimensions shown are not intended for inspection criteria.

M85049/6-21 W

Basic Part No. _____ Finish
Dash No. _____
B = Black Cadmium, Stainless Steel
N = Electroless Nickel, Aluminum
S = Passivated Stainless Steel
W = 1,000 Hour Cad. Olive Drab Over
Electroless Nickel, Aluminum

MS3189A 21 C

Basic Part No. _____ Finish (Material is Aluminum Only)
Dash No. _____
A = Cadmium Olive Drab over Nickel
C = Cadmium Olive Drab
N = Electroless Nickel

Superseded Part Number

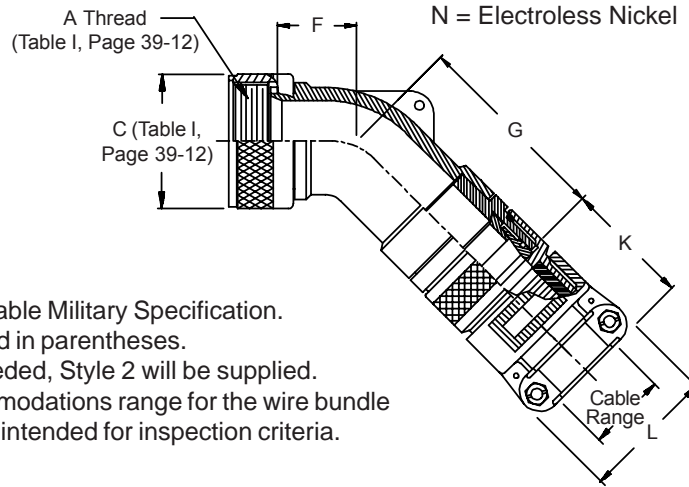


TABLE II

Dash No.	Shell Size	F		G		K		L		Cable Range		M85049/42 Ref		
		Max	(mm)	Max	(mm)	Ref.	(mm)	Max	(mm)	Min	Max			
1	3	.686	(17.4)	1.852	(47.0)	1.544	(39.2)	.957	(24.3)	.125	(3.2)	.250	(6.4)	4
2*	3	1.500	(38.1)	1.972	(50.1)	1.544	(39.2)	1.145	(29.1)	.250	(6.4)	.437	(11.1)	6
3	8	.625	(15.9)	1.244	(31.6)	1.544	(39.2)	.957	(24.3)	.125	(3.2)	.250	(6.4)	4
4	10	.686	(17.4)	1.912	(48.6)	1.544	(39.2)	.957	(24.3)	.125	(3.2)	.312	(7.9)	4
5	10	.686	(17.4)	1.307	(33.2)	1.544	(39.2)	1.145	(29.1)	.250	(6.4)	.375	(9.5)	6
6	12	.750	(19.1)	1.972	(50.1)	1.544	(39.2)	.957	(24.3)	.125	(3.2)	.312	(7.9)	4
7	12	.750	(19.1)	1.972	(50.1)	1.544	(39.2)	1.145	(29.1)	.250	(6.4)	.437	(11.1)	6
8	12	.750	(19.1)	1.972	(50.1)	1.844	(46.8)	1.332	(33.8)	.350	(8.9)	.500	(12.7)	10
9	14	.813	(20.7)	2.062	(52.4)	1.544	(39.2)	1.145	(29.1)	.250	(6.4)	.437	(11.1)	6
10	14	.813	(20.7)	1.717	(43.6)	1.844	(46.8)	1.332	(33.8)	.350	(8.9)	.575	(14.6)	10
11	16	.906	(23.0)	2.172	(55.2)	1.544	(39.2)	1.145	(29.1)	.250	(6.4)	.437	(11.1)	6
12	16	.906	(23.0)	1.812	(46.0)	1.916	(48.7)	1.551	(39.4)	.500	(12.7)	.700	(17.8)	12
13	18	1.093	(27.8)	2.362	(60.0)	1.844	(46.8)	1.332	(33.8)	.350	(8.9)	.625	(15.9)	10
14	18	1.093	(27.8)	2.000	(50.8)	2.000	(50.8)	1.770	(45.0)	.625	(15.9)	.779	(19.8)	16
15	20	1.093	(27.8)	2.362	(60.0)	1.844	(46.8)	1.332	(33.8)	.350	(8.9)	.625	(15.9)	10
16	20	1.093	(27.8)	2.000	(50.8)	2.000	(50.8)	1.770	(45.0)	.625	(15.9)	.904	(23.0)	16
17	22	1.188	(30.2)	2.512	(63.8)	1.916	(48.7)	1.551	(39.4)	.500	(12.7)	.750	(19.1)	12
18	22	1.188	(30.2)	2.155	(54.7)	2.230	(56.6)	2.113	(53.7)	.875	(22.2)	1.029	(26.1)	20
19	24	1.188	(30.2)	2.512	(63.8)	1.916	(48.7)	1.551	(39.4)	.500	(12.7)	.750	(19.1)	12
20	24	1.188	(30.2)	2.155	(54.7)	2.230	(56.6)	2.113	(53.7)	.875	(22.2)	1.144	(29.1)	20
21	28	1.313	(33.4)	2.562	(65.1)	2.000	(50.8)	1.770	(45.0)	.625	(15.9)	.937	(23.8)	16

Table II Continued on Page 39-9

AS85049/6 and MS3189A
EMI/RFI Environmental Backshells



EMI/RFI
Environmental
Backshells

TABLE II (Continued From Page 39-8)

Dash No.	Shell Size	F		G		K Ref.	L		Cable Range			M85049/42 Ref		
		Max	()	Max	()		Max	()	Min	()	Max		()	
22	28	1.312	(33.3)	2.218	(56.3)	2.024	(51.4)	2.363	(60.0)	1.000	(25.4)	1.375	(34.9)	24
23	32	1.375	(34.9)	2.662	(67.6)	2.000	(50.8)	1.770	(45.0)	.625	(15.9)	.937	(23.8)	16
24	32	1.375	(34.9)	2.662	(67.6)	2.230	(56.6)	2.113	(53.7)	.875	(22.2)	1.250	(31.8)	20
25	32	1.375	(34.9)	2.312	(58.7)	2.550	(64.8)	2.770	(70.4)	1.250	(31.8)	1.625	(41.3)	28
26	36	1.406	(35.7)	2.752	(69.9)	2.000	(50.8)	1.770	(45.0)	.625	(15.9)	.937	(23.8)	16
27	36	1.406	(35.7)	2.752	(69.9)	2.024	(51.4)	2.363	(60.0)	1.000	(25.4)	1.375	(34.9)	24
28	36	1.406	(35.7)	2.406	(61.1)	2.600	(66.0)	3.020	(76.7)	1.437	(36.5)	1.840	(46.7)	32
29	40	2.156	(54.8)	2.752	(69.9)	2.000	(50.8)	1.770	(45.0)	.625	(15.9)	.937	(23.8)	16
30	40	2.156	(54.8)	2.752	(69.9)	2.024	(51.4)	2.363	(60.0)	1.000	(25.4)	1.375	(34.9)	24
31	40	2.156	(54.8)	2.406	(61.1)	2.600	(66.0)	3.020	(76.7)	1.437	(36.5)	1.875	(47.6)	32
32	44	2.156	(54.8)	2.752	(69.9)	2.000	(50.8)	1.770	(45.0)	.625	(15.9)	.937	(23.8)	16
33	44	2.156	(54.8)	2.752	(69.9)	2.024	(51.4)	2.363	(60.0)	1.000	(25.4)	1.375	(34.9)	24
34	44	2.156	(54.8)	2.406	(61.1)	2.600	(66.0)	3.020	(76.7)	1.437	(36.5)	1.875	(47.6)	32
35	48	2.156	(54.8)	2.752	(69.9)	2.000	(50.8)	1.770	(45.0)	.625	(15.9)	.937	(23.8)	16
36	48	2.156	(54.8)	2.752	(69.9)	2.024	(51.4)	2.363	(60.0)	1.000	(25.4)	1.375	(34.9)	24
37	48	2.156	(54.8)	2.406	(61.1)	2.600	(66.0)	3.020	(76.7)	1.437	(36.5)	1.875	(47.6)	32
38	61	1.188	(30.2)	2.512	(63.8)	1.916	(48.7)	1.551	(39.4)	.500	(12.7)	.750	(19.1)	12
39	61	1.188	(30.2)	2.155	(54.7)	2.230	(56.6)	2.113	(53.7)	.875	(22.2)	1.184	(30.1)	20
40	16	.906	(23.0)	2.172	(55.2)	1.844	(46.8)	1.332	(33.8)	.350	(8.9)	.625	(15.9)	10
41	18	1.093	(27.8)	2.362	(60.0)	1.544	(39.2)	.957	(24.3)	.125	(3.2)	.312	(7.9)	04
42	18	1.093	(27.8)	2.362	(60.0)	1.544	(39.2)	1.145	(29.1)	.250	(6.4)	.437	(11.1)	06
43	20	1.093	(27.8)	2.362	(60.0)	1.544	(39.2)	1.145	(29.1)	.250	(6.4)	.437	(11.1)	06
44	22	1.188	(30.2)	2.512	(63.8)	1.544	(39.2)	.957	(24.3)	.125	(3.2)	.312	(7.9)	04
45	22	1.188	(30.2)	2.512	(63.8)	1.544	(39.2)	1.145	(29.1)	.250	(6.4)	.437	(11.1)	06
46	24	1.188	(30.2)	2.512	(63.8)	1.844	(46.8)	1.332	(33.8)	.350	(8.9)	.625	(15.9)	10
47	36	1.406	(35.7)	2.752	(69.9)	1.916	(48.7)	1.551	(39.4)	.500	(12.7)	.750	(19.1)	12
48	40	2.156	(54.8)	2.752	(69.9)	1.916	(48.7)	1.551	(39.4)	.500	(12.7)	.750	(19.1)	12
49*	10	1.500	(38.1)	1.972	(50.1)	1.544	(39.2)	1.145	(29.1)	.250	(6.4)	.437	(11.1)	06
50*	14	1.842	(46.8)	2.362	(60.0)	1.916	(48.7)	1.551	(39.4)	.500	(12.7)	.750	(19.1)	12
51*	16	1.937	(49.2)	2.512	(63.8)	2.000	(50.8)	1.770	(45.0)	.625	(15.9)	.937	(23.8)	16
52	18	1.093	(27.8)	2.362	(60.0)	1.916	(48.7)	1.551	(39.4)	.500	(12.7)	.750	(19.1)	12
53	61	1.188	(30.2)	2.512	(63.8)	2.000	(50.8)	1.770	(45.0)	.625	(15.9)	.937	(23.8)	16
54	20	1.093	(27.8)	2.362	(60.0)	1.916	(48.7)	1.551	(39.4)	.500	(12.7)	.750	(19.1)	12
55*	20	2.061	(52.3)	2.562	(65.1)	2.230	(56.6)	2.113	(53.7)	.875	(22.2)	1.250	(31.8)	20
56	22	1.188	(30.2)	2.512	(63.8)	1.844	(46.8)	1.332	(33.8)	.350	(8.9)	.625	(15.9)	10
57	22	1.188	(30.2)	2.512	(63.8)	2.000	(50.8)	1.770	(45.0)	.625	(15.9)	.937	(23.8)	16
58*	22	2.061	(52.3)	2.562	(65.1)	2.230	(56.6)	2.113	(53.7)	.875	(22.2)	1.250	(31.8)	20
59	24	1.188	(30.2)	2.512	(63.8)	2.000	(50.8)	1.770	(45.0)	.625	(15.9)	.937	(23.8)	16
60	28	1.313	(33.4)	2.562	(65.1)	1.916	(48.7)	1.551	(39.4)	.500	(12.7)	.750	(19.1)	12
61	28	1.313	(33.4)	2.562	(65.1)	2.230	(56.6)	2.113	(53.7)	.875	(22.2)	1.250	(31.8)	20
62	32	1.375	(34.9)	2.662	(67.6)	2.024	(51.4)	2.363	(60.0)	1.000	(25.4)	1.375	(34.9)	24
63	36	1.406	(35.7)	2.752	(69.9)	2.230	(56.6)	2.113	(53.7)	.875	(22.2)	1.250	(31.8)	20
64	36	1.406	(35.7)	2.752	(69.9)	2.550	(64.8)	2.770	(70.4)	1.250	(31.8)	1.625	(41.3)	28
65	40	2.156	(54.8)	2.752	(69.9)	2.230	(56.6)	2.113	(53.7)	.875	(22.2)	1.250	(31.8)	20
66	40	2.156	(54.8)	2.752	(69.9)	2.550	(64.8)	2.770	(70.4)	1.250	(31.8)	1.625	(41.3)	28
67	44	2.156	(54.8)	2.752	(69.9)	2.230	(56.6)	2.113	(53.7)	.875	(22.2)	1.250	(31.8)	20
68	44	2.156	(54.8)	2.752	(69.9)	2.550	(64.8)	2.770	(70.4)	1.250	(31.8)	1.625	(41.3)	28
69	48	2.156	(54.8)	2.752	(69.9)	2.230	(56.6)	2.113	(53.7)	.875	(22.2)	1.250	(31.8)	20
70	48	2.156	(54.8)	2.752	(69.9)	2.550	(64.8)	2.770	(70.4)	1.250	(31.8)	1.625	(41.3)	28
71*	12	1.654	(42.0)	2.172	(55.2)	1.844	(46.8)	1.332	(33.8)	.350	(8.9)	.625	(15.9)	10
72*	18	1.937	(49.2)	2.512	(63.8)	2.000	(50.8)	1.770	(45.0)	.625	(15.9)	.937	(23.8)	16
73*	24	2.061	(52.3)	2.562	(65.1)	2.230	(56.6)	2.116	(53.7)	.875	(22.2)	1.250	(31.8)	20
74	14	.813	(20.7)	2.062	(52.4)	1.544	(39.2)	.957	(24.3)	.125	(3.2)	.312	(7.9)	04
75	16	.906	(23.0)	2.172	(55.2)	1.544	(39.2)	.957	(24.3)	.125	(3.2)	.312	(7.9)	04

© 2005 Glenair, Inc.

* Denotes Style 2

CAGE Code 06324

Printed in U.S.A.

GLENAIR, INC. • 1211 AIR WAY • GLENDALE, CA 91201-2497 • 818-247-6000 • FAX 818-500-9912
www.glenair.com 39-9 E-Mail: sales@glenair.com