

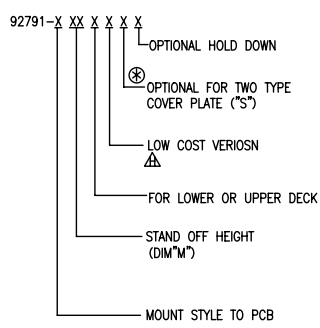
FCI CONFIDENTIAL

FCI

This document is the property of and includes CONFIDENTIAL and PROPRIETARY information of FCI. No part of the information shown on this document may be used in any way or disclosed to others without the written consent of FCI. Copyright © FCI.

PRODUCT NO.
SEE TABLE

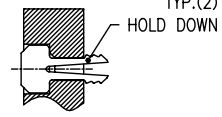
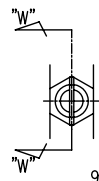
PRODUCT NO. 92791-XXXX	STAND OFF DIM "M"(mm)	HOLD DOWN
001	0	NONE
001MLF	0	NONE
△ 001LF	0	NONE
001H	0	YES
△ 001HLF	0	YES
011	0	NONE
021	2	NONE
△ 021LF	2	NONE
041	4	NONE
△ 041LF	4	NONE
△ 041H	4	YES
△ 041HLF	4	YES
051	5	NONE
△ 051M	5	NONE
△ 051LF	5	NONE
△ 051H	5	YES
△ 051HLF	5	YES
△ 052 ⊕	5	NONE
053M	5	NONE
△ 022LF	2.2	NONE
△ 022	2.2	NONE
△ 043LF	4.3	NONE
△ 043	4.3	NONE



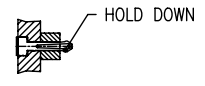
NONE : N 0
H : YES(SEE FIGURE OF -XXXH)
NONE "S": 93328-001 (EXCEPT 92791-052)
S (P/N WITH "S"): 72228-003

NONE : N 0
M: YES

1 : AVAILABLE FOR BOTH DECKS
NONE : NOT AVAILABLE FOR BOTH DECKS
0 : 0mm(NONE)
2 : 2mm 22: 2.2mm
4 : 4mm 43: 4.3mm
5 : 5mm
0 : AVAILABLE FOR BOTH MOUNT



92791-xxxH
(OPTIONAL HOLD DOWN)



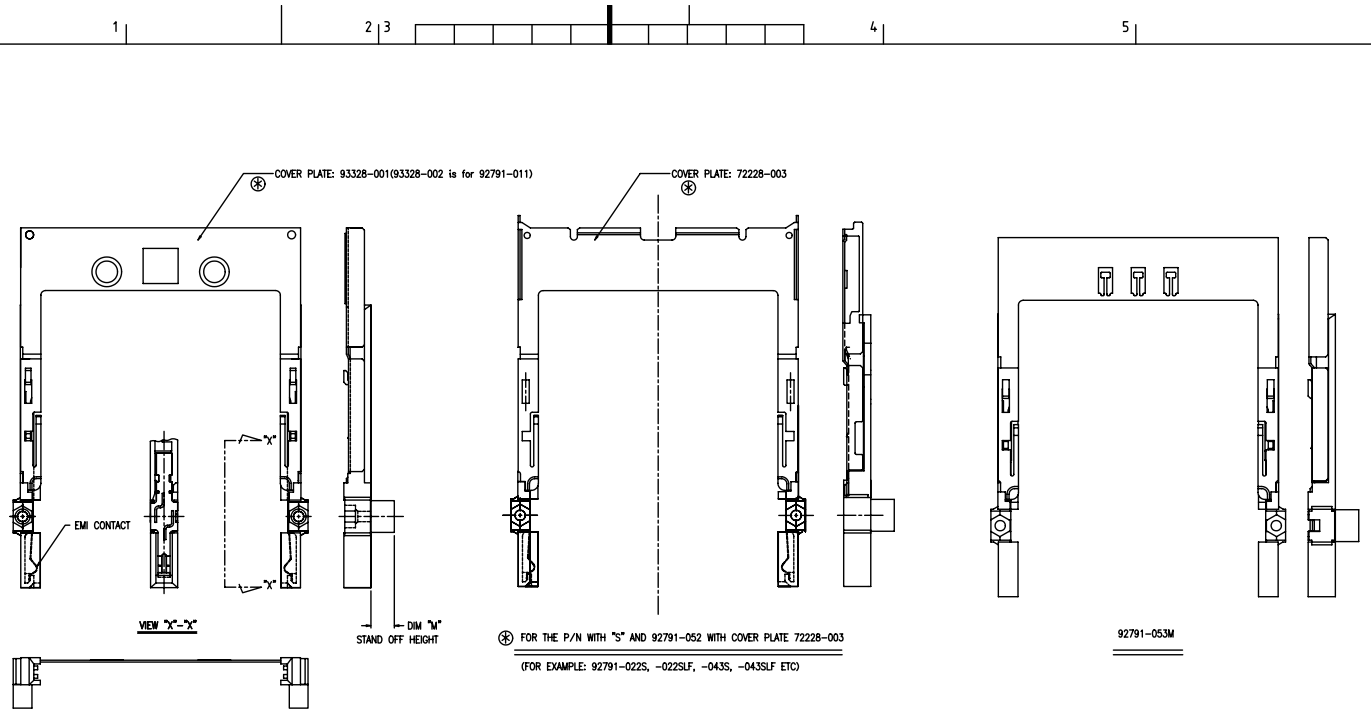
ONLY FOR 92791-053M

mat'l. code				surface ISO 1302	tolerance ISO 406 ISO 1101	projection ISO 1030	product family PCMCIA
ltr	ecn no	dr	date	tolerances unless otherwise specified		MM	title 68P LONG HEADER TYPE 1/II /III GUIDE ASSY
H	N06-006	NZ	03/22/06	angles	linear	scale 4	
J	N06-0129	MZ	05/10/06				
K	N07-0109	DT	4/25/07	±2°			
L	N07-0219	MZ	1/7/08	dr	Mike Zhou	05/10/06	dwg no 92791
M	N08-0219	MZ	11/20/08	engr	Mike Zhou	05/10/06	sheet 1 of 2 A 4
				chr	Mike Zhou	05/10/06	size
				pppd	Qin David	05/10/06	type CUSTOMER Drawing
sheet index	revision sheet	M	M				
		1	2				

FCI CONFIDENTIAL

FCI
 This document is the property of and includes CONFIDENTIAL and PROPRIETARY information of FCI. No part of the information shown on this document may be used in any way or disclosed to others without the written consent of FCI.
 Copyright © FCI

PRODUCT NO.
92791-001
92791-001LF
92791-001H
92791-001HLF
92791-021
92791-021LF
92791-041
92791-041LF
92791-041H
92791-041HLF
92791-051
92791-051M
92791-051LF
92791-051H
92791-051HLF
92791-052
92791-022
92791-022LF
92791-043
92791-043LF
92791-011
92791-001M
92791-053M



NOTE

① MATERIAL
 GUIDE : POLYPHTHARAMID UL94V-0 BLACK
 PLATE : STAINLESS
 EMI CONTACT : PHOSPHOR BRONZE
 HOLD DOWN : BRASS

② FINISH
 EMI CONTACT : PRE-PLATING
 0.5µm MIN. Ni OVER ALL UNDER PLATING
 0.5µm MIN. Au CONTACT AREA

⚠ 3 "M" SHOWS IT IS LOW COST VERSION, IT IS OPTIONAL AND IN FIRST OF LETTER OF PART NO., SUCH AS 92791-051M IS LOW COST VERSION. DETAIL AS COMPONENT INFORMATION, 92791-051 IS NOT LOW COST VERSION.

4. GENERAL TOLERANCE : ±0.3

mat'l. code		surface	tolerance	projection	product family
ISO 1302		ISO 406 ISO 1101	ISO 406 ISO 1101	ISO 10	PCMCIA
lfr ecn no dr date		tolerances unless otherwise specified		MM	title
M		angles linear		scale 4	68P LONG HEADER TYPE I / II / III GUIDE ASSY
dr Mike Zhou 05/10/06		±2'		scale 4	dwg no
enr Mike Zhou 05/10/06				FCI	sheet 2 of 2 size
chr Mike Zhou 05/10/06					92791 A 4
appd Qin David 05/10/06					type CUSTOMER Drawing
sheet index	revision sheet				