

Compact Thumb-wheel Driving Rotary Potentiometers

Type: **EVLH**



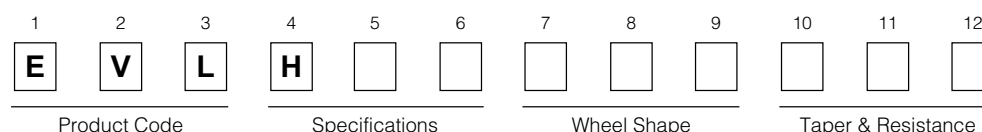
■ Features

- Dustproof molded structure
- Wave-soldering available
- Custom-designed thumb wheels available

■ Recommended Applications

- Radios, Headphone Cassette Tape Players, Micro-cassette Tape Recorders
- LCD screen TVs, VCRs
- Contrast control for LCDs

■ Explanation of Part Numbers



■ Specifications


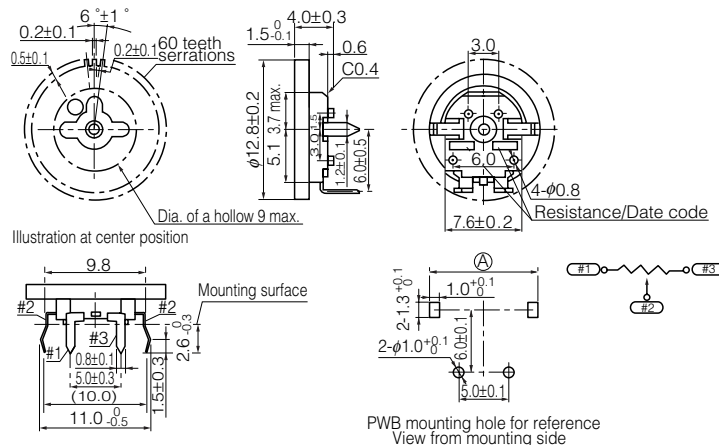

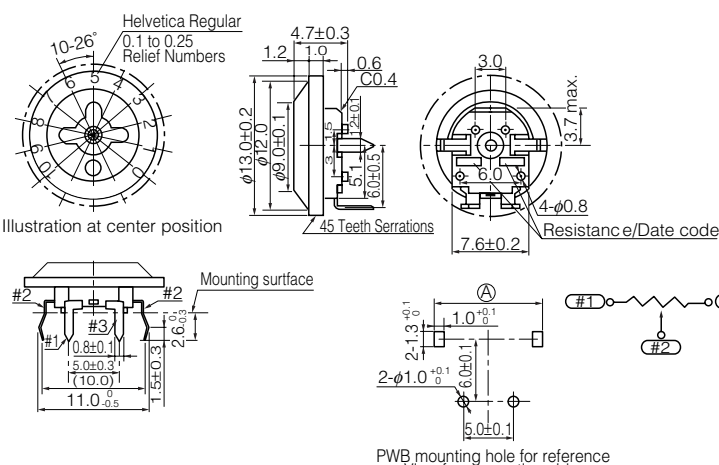
Mechanical	Rotation Angle	260 °																			
	Rotation Torque	0.5 mN·m to 6 mN·m																			
	Shaft Stopper Strength	60 mN·m min.																			
	Detent	Center detent available																			
Electrical	Nominal Total Resistance	1 kΩ to 250 kΩ (Tolerance ±20 %) 1 kΩ to 500 kΩ (B) (Tolerance ±20 %)																			
	Taper	<table border="1" style="width: 100%; border-collapse: collapse;"> <tr> <td style="text-align: center;">Measuring method</td> <td colspan="2" style="text-align: center;">Voltage between T1 & T2 Voltage between T1 & T3 ×100(%) At 50 % of effective rotation</td> </tr> <tr> <td style="text-align: center;">EIAJ</td> <td style="text-align: center;">Panasonic</td> <td style="text-align: center;">EVLH</td> </tr> <tr> <td style="text-align: center;">15A</td> <td style="text-align: center;">A</td> <td style="text-align: center;">10 to 25</td> </tr> <tr> <td style="text-align: center;">1B</td> <td style="text-align: center;">B</td> <td style="text-align: center;">40 to 60</td> </tr> <tr> <td style="text-align: center;">15C</td> <td style="text-align: center;">C</td> <td style="text-align: center;">10 to 25*</td> </tr> <tr> <td style="text-align: center;">10A</td> <td style="text-align: center;">D</td> <td style="text-align: center;">6 to 15</td> </tr> </table>	Measuring method	Voltage between T1 & T2 Voltage between T1 & T3 ×100(%) At 50 % of effective rotation		EIAJ	Panasonic	EVLH	15A	A	10 to 25	1B	B	40 to 60	15C	C	10 to 25*	10A	D	6 to 15	<p style="font-size: small;">*Angle from terminal 3 side. $\left(\frac{\text{Voltage between T2 \& T3}}{\text{Voltage between T1 \& T3}} \times 100 (\%) \right)$</p>
	Measuring method	Voltage between T1 & T2 Voltage between T1 & T3 ×100(%) At 50 % of effective rotation																			
	EIAJ	Panasonic	EVLH																		
	15A	A	10 to 25																		
1B	B	40 to 60																			
15C	C	10 to 25*																			
10A	D	6 to 15																			
Power Rating	0.03 W (Taper B), 0.01 W (Others)																				
Residual Resistance	<table border="1" style="width: 100%; border-collapse: collapse;"> <tr> <td style="text-align: center;">Taper & Terminal</td> <td style="text-align: center;">A·B·D : T1 & T2 B·C : T2 & T3</td> <td style="text-align: center;">A·D : T2 & T3 C : T1 & T2</td> </tr> <tr> <td style="text-align: center;">R=Nominal Total Resistance R ≤ 50 kΩ</td> <td style="text-align: center;">2 Ω</td> <td style="text-align: center;">25 Ω</td> </tr> <tr> <td style="text-align: center;">50 kΩ < R ≤ 250 kΩ</td> <td style="text-align: center;">25 Ω</td> <td style="text-align: center;">50 Ω</td> </tr> <tr> <td style="text-align: center;">250 kΩ < R ≤ 500 kΩ</td> <td style="text-align: center;">100 Ω</td> <td style="text-align: center;">100 Ω</td> </tr> </table>	Taper & Terminal	A·B·D : T1 & T2 B·C : T2 & T3	A·D : T2 & T3 C : T1 & T2	R=Nominal Total Resistance R ≤ 50 kΩ	2 Ω	25 Ω	50 kΩ < R ≤ 250 kΩ	25 Ω	50 Ω	250 kΩ < R ≤ 500 kΩ	100 Ω	100 Ω								
Taper & Terminal	A·B·D : T1 & T2 B·C : T2 & T3	A·D : T2 & T3 C : T1 & T2																			
R=Nominal Total Resistance R ≤ 50 kΩ	2 Ω	25 Ω																			
50 kΩ < R ≤ 250 kΩ	25 Ω	50 Ω																			
250 kΩ < R ≤ 500 kΩ	100 Ω	100 Ω																			
Noise Level	100 mV max.																				
Endurance	Operating Life	10000 cycles min.																			
Minimum Quantity/Packing Unit		100 pcs. Polyethylene Bag (Bulk)																			
Quantity/Carton		4000 pcs.																			

Design and specifications are each subject to change without notice. Ask factory for the current technical specifications before purchase and/or use. Should a safety concern arise regarding this product, please be sure to contact us immediately.

■ Dimensions in mm (not to scale)


- 7 mm Dia. Single

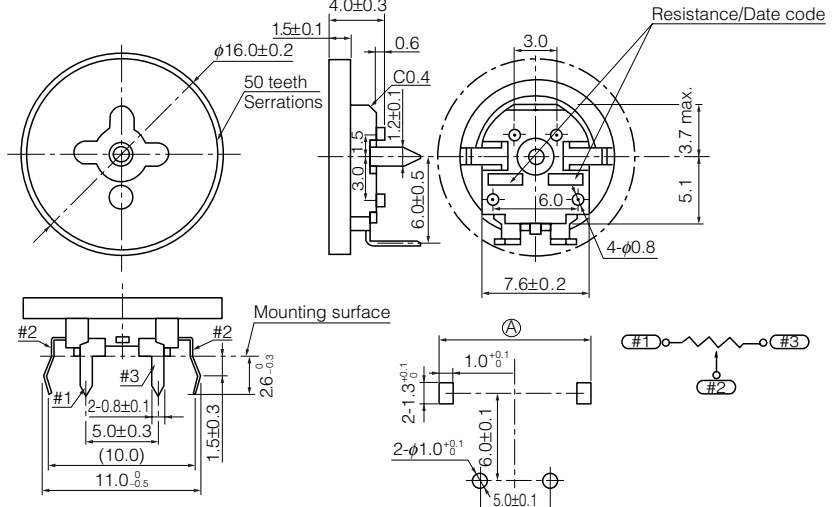
Pre-coupled wheel EVLH

No. 1																													
		<table border="1" style="width: 100%; border-collapse: collapse; margin-bottom: 10px;"> <thead> <tr> <th style="text-align: left;">Wheel color</th> <th style="text-align: left;">Part No.</th> <th style="text-align: left;">Midpoint Detent</th> </tr> </thead> <tbody> <tr> <td>Black</td> <td>EVLHFAA01</td> <td>—</td> </tr> <tr> <td>White</td> <td>EVLHFAA02</td> <td>—</td> </tr> <tr> <td>Gray</td> <td>EVLHFAA03</td> <td>—</td> </tr> <tr> <td>Black</td> <td>EVLHFKA01</td> <td>with</td> </tr> <tr> <td>White</td> <td>EVLHFKA02</td> <td>with</td> </tr> <tr> <td>Gray</td> <td>EVLHFKA03</td> <td>with</td> </tr> </tbody> </table> <p style="text-align: center;">Wheel dia. ϕ12.8 mm</p> <table border="1" style="width: 100%; border-collapse: collapse;"> <thead> <tr> <th style="text-align: left;">PWB thickness</th> <th style="text-align: center;">(A)</th> </tr> </thead> <tbody> <tr> <td>1.2±0.1</td> <td style="text-align: center;">10.3±0.1</td> </tr> <tr> <td>1.0±0.1</td> <td style="text-align: center;">10.2$\frac{0}{-0.1}$</td> </tr> </tbody> </table>	Wheel color	Part No.	Midpoint Detent	Black	EVLHFAA01	—	White	EVLHFAA02	—	Gray	EVLHFAA03	—	Black	EVLHFKA01	with	White	EVLHFKA02	with	Gray	EVLHFKA03	with	PWB thickness	(A)	1.2±0.1	10.3±0.1	1.0±0.1	10.2 $\frac{0}{-0.1}$
Wheel color	Part No.	Midpoint Detent																											
Black	EVLHFAA01	—																											
White	EVLHFAA02	—																											
Gray	EVLHFAA03	—																											
Black	EVLHFKA01	with																											
White	EVLHFKA02	with																											
Gray	EVLHFKA03	with																											
PWB thickness	(A)																												
1.2±0.1	10.3±0.1																												
1.0±0.1	10.2 $\frac{0}{-0.1}$																												
No. 2																													
		<table border="1" style="width: 100%; border-collapse: collapse; margin-bottom: 10px;"> <thead> <tr> <th style="text-align: left;">Wheel color</th> <th style="text-align: left;">Part No.</th> <th style="text-align: left;">Midpoint Detent</th> </tr> </thead> <tbody> <tr> <td>Black</td> <td>EVLHFAA06</td> <td>—</td> </tr> <tr> <td>Black</td> <td>EVLHFKA06</td> <td>with</td> </tr> </tbody> </table> <p style="text-align: center;">Wheel dia. ϕ13.0 mm</p> <table border="1" style="width: 100%; border-collapse: collapse;"> <thead> <tr> <th style="text-align: left;">PWB thickness</th> <th style="text-align: center;">(A)</th> </tr> </thead> <tbody> <tr> <td>1.2±0.1</td> <td style="text-align: center;">10.3±0.1</td> </tr> <tr> <td>1.0±0.1</td> <td style="text-align: center;">10.2$\frac{0}{-0.1}$</td> </tr> </tbody> </table>	Wheel color	Part No.	Midpoint Detent	Black	EVLHFAA06	—	Black	EVLHFKA06	with	PWB thickness	(A)	1.2±0.1	10.3±0.1	1.0±0.1	10.2 $\frac{0}{-0.1}$												
Wheel color	Part No.	Midpoint Detent																											
Black	EVLHFAA06	—																											
Black	EVLHFKA06	with																											
PWB thickness	(A)																												
1.2±0.1	10.3±0.1																												
1.0±0.1	10.2 $\frac{0}{-0.1}$																												

Pre-coupled wheel..... EVLH

No. 3





Resistance/Date code

Mounting surface

PWB mounting hole for reference
View from mounting side


PWB thickness	(A)
1.2±0.1	10.3±0.1
1.0±0.1	10.2 $\frac{0}{-0.1}$

Wheel color	Part No.	Midpoint Detent
Black	EVLHFAA05	—
Black	EVLHFKA05	with

Wheel dia. $\phi 16.0$ mm

Post-coupled wheel EVLH

No. 4



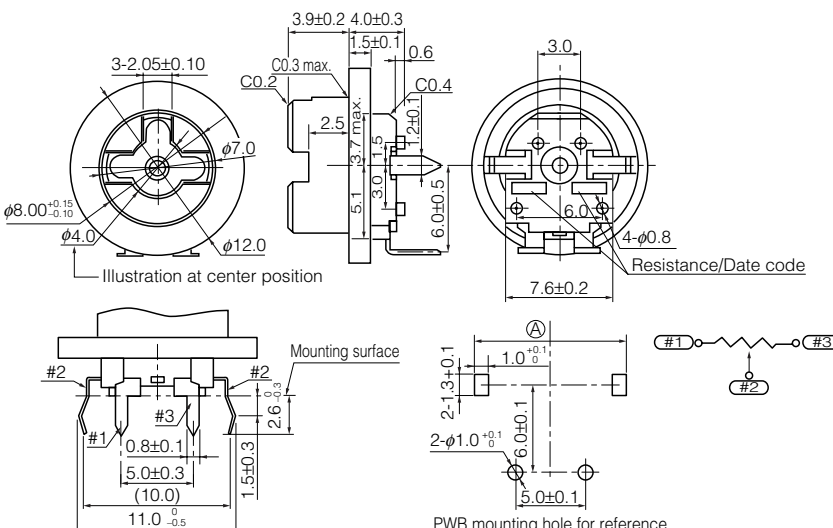


Illustration at center position

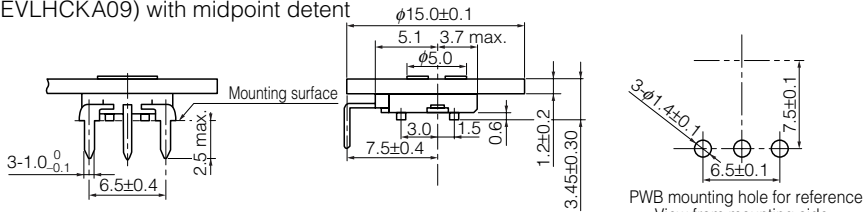
Mounting surface

PWB mounting hole for reference
View from mounting side

PWB thickness	(A)
1.2±0.1	10.3±0.1
1.0±0.1	10.2 $\frac{0}{-0.1}$

Wheel color	Part No.	Midpoint Detent
Black	EVLHFAA08	—
Black	EVLHFKA08	with

No. 5 In-line terminal type is also available.
(EVLHCAA09)
(EVLHCKA09) with midpoint detent



Mounting surface

PWB mounting hole for reference
View from mounting side

Design and specifications are each subject to change without notice. Ask factory for the current technical specifications before purchase and/or use. Should a safety concern arise regarding this product, please be sure to contact us immediately.