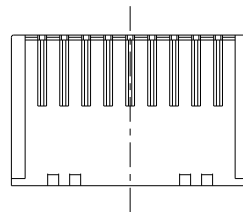
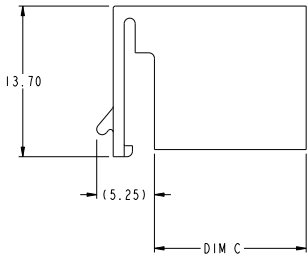
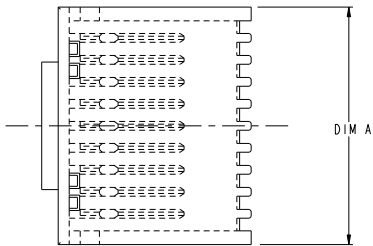


PRODUCT NUMBER
SEE SHEET 2



CONFIDENTIAL

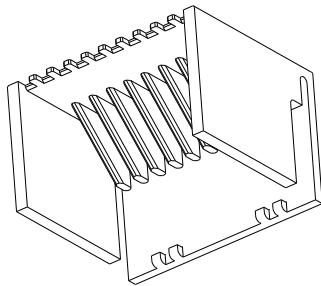
www.fciconnect.com				surface	tolerance std	projection	MM	
				ASME Y14.5	ASME Y14.5	ASME Y14.5		
TOLERANCES UNLESS OTHERWISE SPECIFIED								
				ANGULAR	LINEAR	size	Scale	
					0.xx	±0.3	4:1	
					0.xxx	±0.050	ECN	

							Spec ref	
rev	ecn no	dr	date					Rev.
A	S06-0199	Ch	2006-06-05	Dr	T. HOUTZ	2005-08-16		
B	S07-0055	LS	2007-06-04	Eng	C. H. TAN	2006-06-05		
				Chr	C. H. TAN	2007-06-04		
				Appr	JOEY NG	2007-06-04		
				Product family				
				AirMax COVER				
				R/A HDR & RECPT - 4pr., 2mm				
				catalog no				
				10058686				
				CUSTOMER				sheet 1 of 2

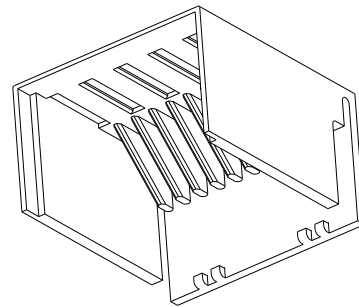
PDM: Rev:B STATUS: Released 8 Printed: Dec 01, 2010

Copyright FCJ

PART NUMBER (NOTE 3)	CONNECTOR GENDER	NUMBER OF IMLAS	DIM A	DIM C
10058686-001LF	R/A HEADER	6	13.60	13.80
10058686-002LF	R/A HEADER	8	17.60	13.80
10058686-003LF	R/A HEADER	10	21.60	13.80
10058686-004LF	R/A RECEPT.	6	13.60	19.25
10058686-005LF	R/A RECEPT.	8	17.60	19.25
10058686-006LF	R/A RECEPT.	10	21.60	19.25



10058686-003LF SHOWN
SCALE 4:1



10058686-006LF SHOWN
SCALE 4:1

NOTES:

- MATERIAL: THERMOPLASTIC RESIN
COLOR : BLACK,
UL94V-0 COMPLIANT,
MAXIMUM OPERATING TEMPERATURE
IS 105°C.
- THIS PRODUCT IS NOT INTENDED TO BE EXPOSED
TO A MANUFACTURING SOLDER PROCESS.
- THIS PRODUCT MEETS EUROPEAN UNION DIRECTIVES
AND OTHER COUNTRY REGULATIONS AS DESCRIBED
IN GS-22-008.
- PACKAGING MEETS GS-14-920 LEAD FREE
LABELLING SPECIFICATION.

CONFIDENTIAL

	AirMax COVER R/A HDR & RECEPT - 4pr., 2mm <small>catalog no</small>	<small>part no</small> 10058686	<small>Rev.</small> B
	<small>CUSTOMER</small>	<small>sheet 2 of 2</small>	<small>STATUS: Released</small>

PDM: Rev:B STATUS: Released 8 Printed: Dec 01, 2010

Copyright FCJ