

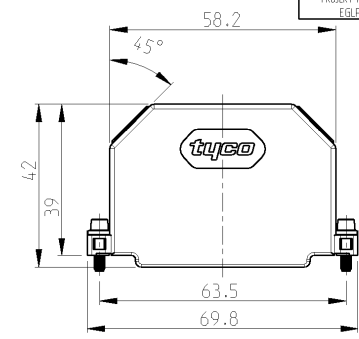
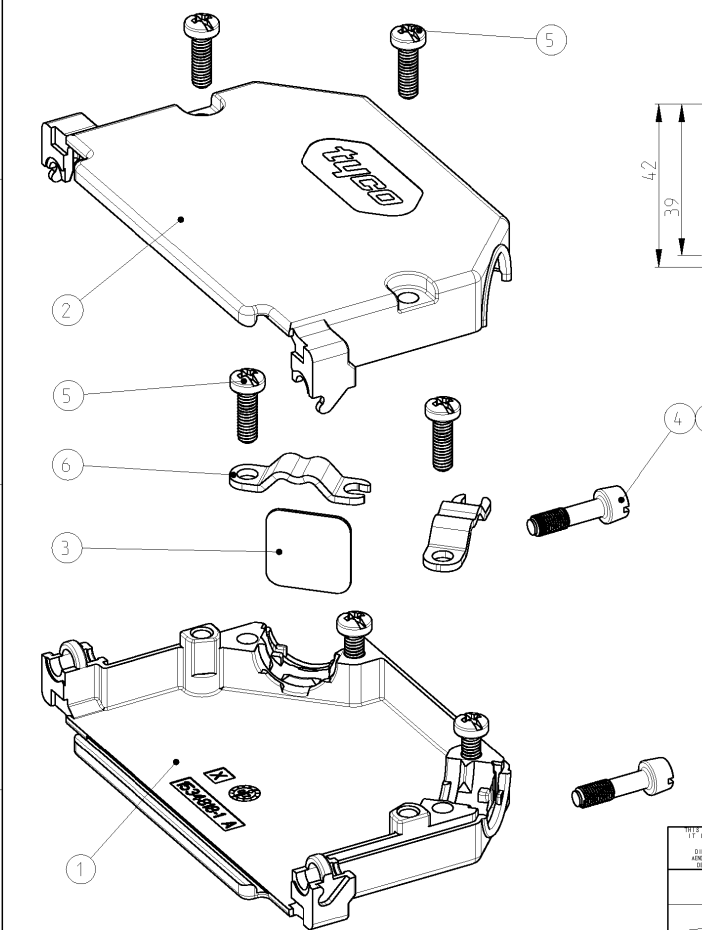
4

3

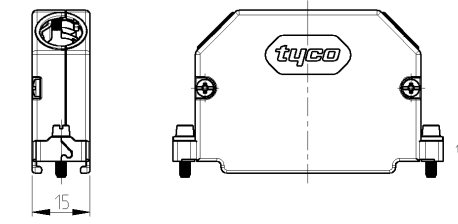
2

1

THIS DRAWING IS UNCLASSIFIED RELEASED FOR PUBLICATION 11 JUL - 2002
 © COPYRIGHT 2002 BY TYCO ELECTRONICS CORPORATION ALL RIGHTS RESERVED.
 BY TYCO ELECTRONICS CORPORATION. ALLE RECHTE VORBEHALTEN.



REVISED WITH		REVISIONS			
LOC	DIST	DESCRIPTION	DATE	DWN	APVD
A1	-	NEUE ZEICHNUNG	11JUL2002	MB	RK
A2	-	GAP FOR DUMMY PLATE REDUCED	02OCT2002	MB	RK
A3	-	DASH NO.: SPEC. NO.: MIN. ORDER QTY ADDED	18FEB2003	MB	RK
B1	-	ITEM 4: MOUNTING SCREW CHANGED	03FEB2006	SH	RK



PACKING UNIT: PARTS PACKED LOOSE PIECE INTO MINIGRIP BAG
 10 MINIGRIP BAGS PACKED INTO FOLDING BOX
 MINIMUM ORDER QTY 120 PIECES
 RECOMMENDED CABLE DIAMETER: 4.8mm - 11mm

VERPACKUNGSEINHEIT: TEILE LOSE IN PLASTIKBEUTEL VERPACKT
 10 PLASTIKBEUTEL IN FALTSCHACHEL VERPACKT
 MINDESTBESTELLMENGE 120 STÜCK
 EMPFOHLENE KABELDURCHMESSER: 4.8mm - 11mm

QTY	LOC	DIST	DESCRIPTION	MATERIAL	FINISH
2	-	7	HEXAGON SOCKET HEAD SCREW SCHRAUBE MIT INNENSECKSKANT UNC 4-40	ZINC PLATED VERZINKT	STEEL STAHL
2	2	6	CABLE CLAMP KABELSCHELLE	ZINC PLATED VERZINKT	STEEL STAHL
6	6	5	TAPTITE-SCREW M2.5x8 TAPTITE-SCHRAUBE M2.5x8	ZINC PLATED VERZINKT	STEEL STAHL
-	2	4	MOUNTING SCREW UNC 4-40 MONTAGESCHRAUBE UNC 4-40	ZINC PLATED VERZINKT	STEEL STAHL
1	1	3	DUMMY PLATE BLINDPLATTE	PLAIN BLANK	STEEL STAHL
1	1	2	COVER HALF (UPPER PART) KAPPENHAELFTE (OBERTEIL)	PLAIN BLANK	GD - Zn
1	1	1	COVER HALF (LOWER PART) KAPPENHAELFTE (UNTERTEIL)	PLAIN BLANK	GD - Zn
AMP ORDER NO. BESTELL-NR.			DESCRIPTION	SURFACE OBERFLAECHE	MATERIAL
DASH NO.			BENENNUNG	COLOUR/FARBE	

DIMENSIONS: MASSENMEN (mm) 		TOLERANCES UNLESS OTHERWISE SPECIFIED: ALLGEMEINTOLERANZEN 0 PLC ±0.15 1 PLC ±0.15 2 PLC ±0.15 3 PLC ± 4 PLC ± ANGLES/WINKEL FINISH/OBERFLAECHE/FARBE		DWN 01JUL2002 M.Boilenbach CHK 01JUL2002 R.Kraemer ZPYD 01JUL2002 G.Feldmeier	tyco Electronics tyco Electronics AMP GmbH D - 64625 Bensheim
PRODUCT SPEC PRODUCT/SPEC 108-18880-1 APPLICATION SPEC VERBAUTUNGSPEC 114-18584-1		NAME HD20 - COVER KIT (37 POS.) HD20 - KAPPENKIT (37 POL.) WITH CABLE CLAMP / MIT KABELSCHELLE		SIZE A3 CAGE CODE 00779 DRAWING NO. ZEICHNUNGS-NR. C-1534811	
MATERIAL -		WEIGHT GEWICHT -		RESTRICTED TO NUR FUER - CUSTOMER DRAWING /KUNDENZEICHNUNG SCALE MASSSTAB 2:1 SHEET BLATT 1 OF VON 1 REV B1	

AMP 1470-19 REV 31MAR2000

Pro/ENGINEER DRAWING