

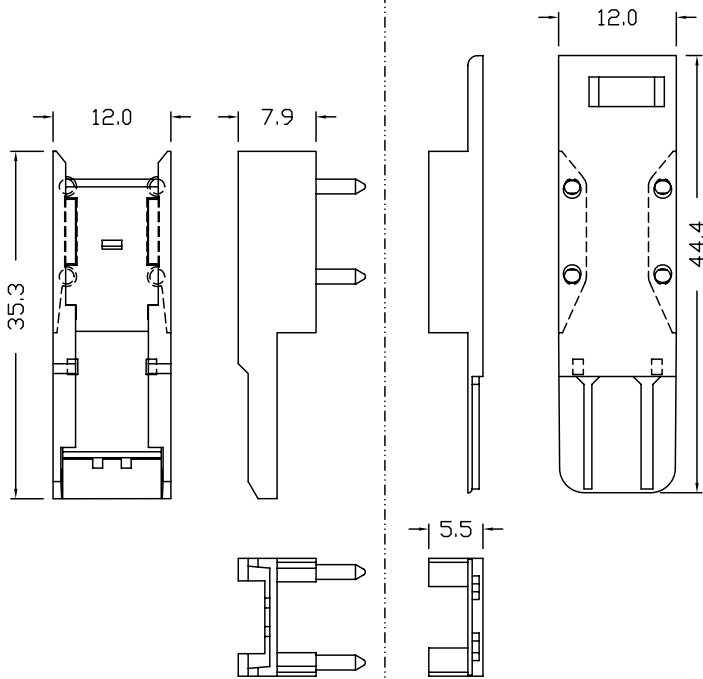
Copyright FCI



FCIconnect.com

PRODUCT NO.
72395-0021 SEE NOTE 9

PRODUCT NO.
72395-0011 SEE NOTE 9



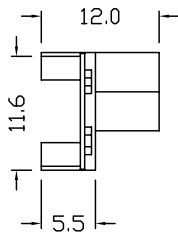
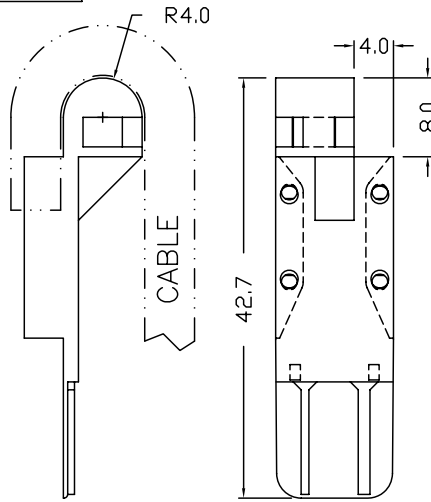
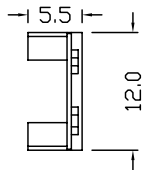
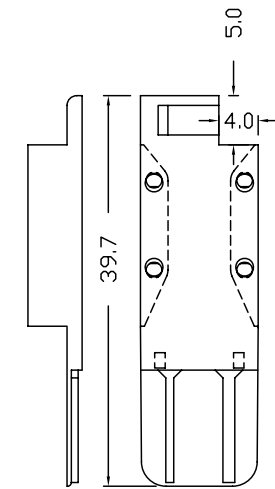
- NOTES:
1. SEE APPLICATION SPECIFICATION, GS-20-002, FOR INSTRUCTION ON WIRE INSERTION AND ASSEMBLY OF COMPONENTS FOR CONNECTOR USING THESE COVERS.
 2. COVERS 72395-0011 & 72395-0021 STANDARD PRODUCT THAT MATE WITH EACH OTHER. SEE SHEET 2 FOR SPECIALS.
 3. THE 72395-0111 COVER IS A SPECIAL THAT RESULTS IN A LOWER CONNECTOR HEIGHT. IT MATES WITH A 72395-0021 COVER. USE THE 72389 TYPE SHORT LATCH FINGERS WITH THIS COVER.

mat'l. code		surface		tolerance		projection		product family	
SEE NOTES		ASME Y14.5 ✓		ASME Y14.5		MM		METRAL CABLE	
ltr	ec'n no	dr	date	tolerances unless otherwise specified		MM		title	
A	V71561	JRV	11/5/97	angles		X +3		4X6 COVERS	
B	V71674	JRV	12/12/97			XX +.8		UNSHIELDED CABLE CONN	
C	V60808	JRV	6/16/98	0° ±2'		XXX +.051		scale 1:1	
D	V12695	EPK	11/14/01	dr	J.R.VOLSTROF	6/16/98		FCI	
E	V05-0594	VS	08/08/05	engr	J.R.VOLSTROF	6/16/98		dwg no	
F	V06-0613	JRV	2006-06-8	chr	J.R.VOLSTROF	6/16/98		sheet 1 of 2	
				appd	J.R.VOLSTROF	6/16/98		72395	
sheet	revision	F	F					type	
index	sheet	1	2					CUSTOMER Drawing	

form A4mmX1c

PRODUCT NO.
72395-0111

PRODUCT NO.
72395-0211



NOTES:

4. MATERIAL:
GLASS FILLED 612 POLYAMIDE,
UL 94V0.
5. THE 72395-0211 COVER IS A
SPECIAL THAT ALLOWS THE
CABLE TO BE REVERSED 180
DEGREES AS SHOWN AND TO
BE SECURED IN THIS POSITION
WITH CABLE TIES. IT MATES
WITH A 72395-0021 COVER.
6. SEE CUSTOMER DRAWING
72476 FOR LIST OF OTHER
COMPONENTS THAT ARE USED
IN CONJUNCTION WITH THE
STANDARD COVERS. THESE
COMPONENTS ARE THE SAME AS
ARE USED WITH THE SPECIAL
COVERS LISTED HERE.
7. THE PRODUCTS WHERE THE
PART NUMBER ENDS IN LF
MEET THE EUROPEAN UNION
DIRECTIVES AND OTHER COUNTRY
REGULATIONS AS DESCRIBED
IN GS-22-008 .
8. THESE PRODUCTS LISTED
ON THIS DRAWING WILL NOT
WITHSTAND WAVE SOLDER
OR REFLOW OPERATIONS.
9. FOR LEAD FREE PART
NUMBERS, ADD AN 'LF' SUFFIX.
EXAMPLE 72395-0011LF.

mat'l. code	SEE NOTES	surface	tolerance	projection	product family
ltr	ec'n no	dr	date	ASME Y14.5 ✓ ASME Y14.5	METRAL CABLE
F				tolerances unless otherwise specified	title
				angles	4X6 COVERS
				or ±2'	UNSHIELDED CABLE CONN
				dr	dwg no
				engr	sheet 2 of 2
				chr	72395
				appd	size
					A4
sheet	revision				type
index	sheet				CUSTOMER Drawing