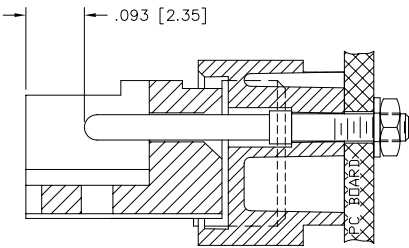
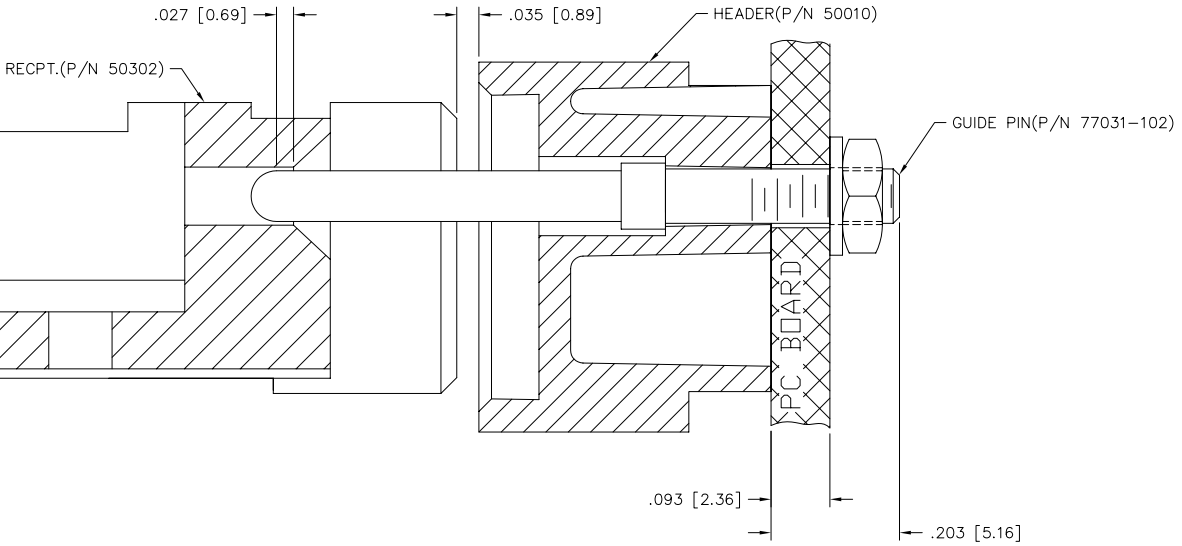




PRODUCT NO.  
77031-102

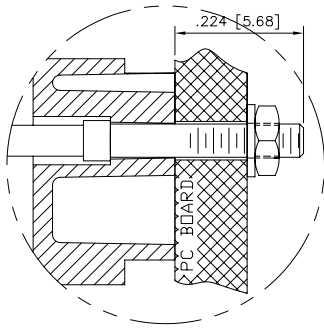
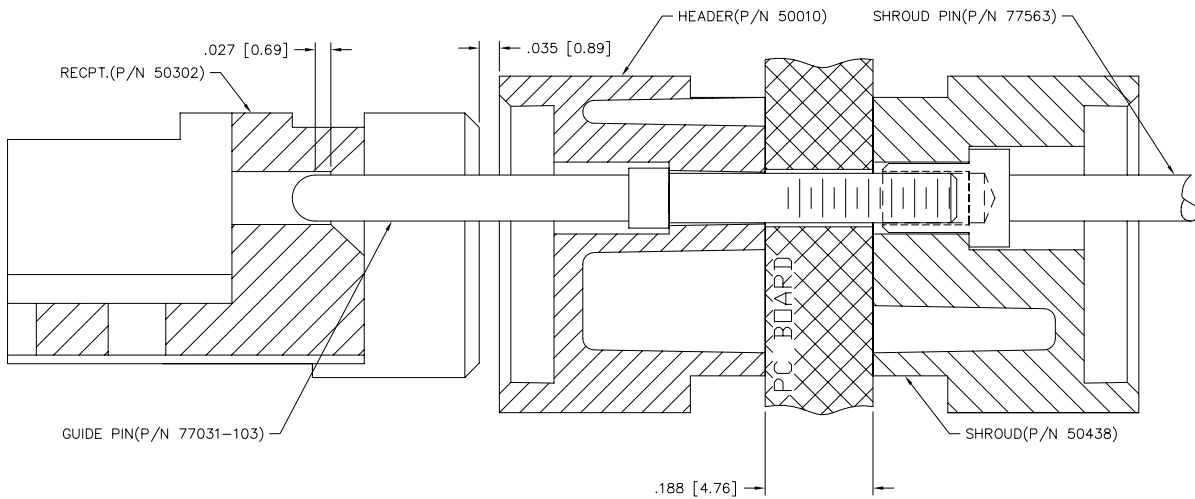


HOUSINGS FULLY MATED  
(SCALE 20:1)

mat'l. code	surface	tolerance	projection	product family
SEE TABLE	ISO 1302	ISO 406		HPC
ISO 1101	tolerances unless otherwise specified	ISO 1101	INCH/MM	title
ltr	ecn	no	dr	date
H				
angles	linear	.XX±.01/.3	scale 1:1	77031
0°±2'		.XXX±.005/.13		sheet 2 of 5
dr	LSANDERS	3/22/00		A3
enrg	M.GRAY	3/22/00		type
chr	M.GRAY	3/22/00		Product Customer Drawing
appd	M.GRAY	3/22/00		
sheet index	revision sheet			

PDM: Rev:H STATUS:Released Printed: Feb 06, 2010

PRODUCT NO  
77031-103

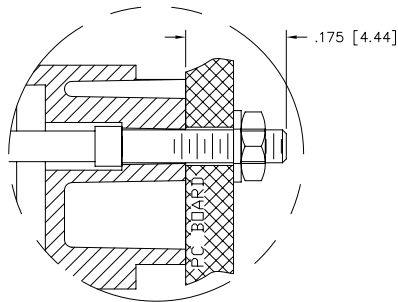
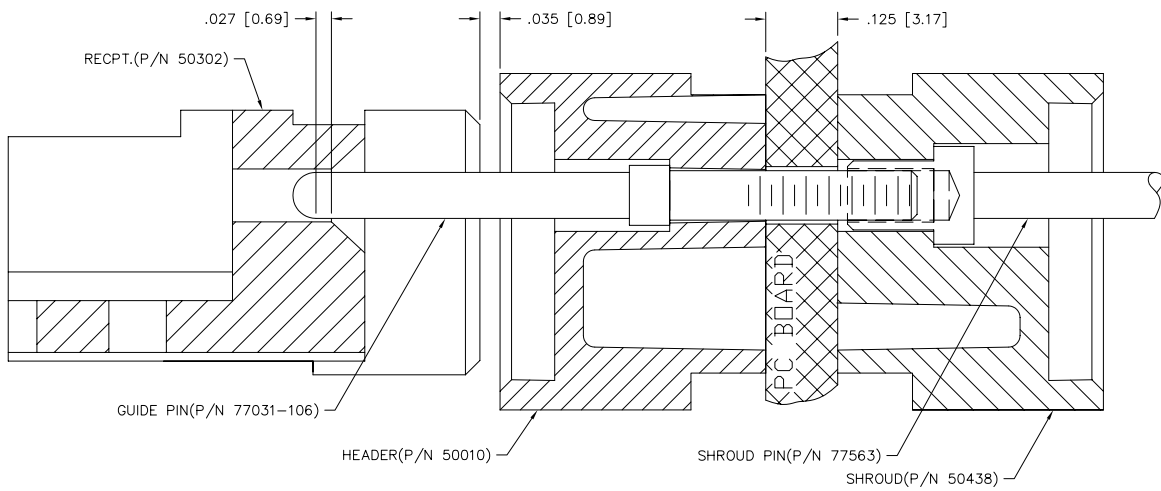


BOARD MOUNTED OPTION  
(SCALE 30:1)

mat'l. code	surface	tolerance	projection	product family
SEE TABLE	ISO 1302 <input checked="" type="checkbox"/>	ISO 406		HPC
ISO 1101	tolerances unless otherwise specified	ISO 1101		
ltr	ecn	no	dr	date
H				
angles	linear	.XX±.01/.3	INCH/MM	title
0°±2'		.XXX±.005/.13	scale 1:1	CENTER GUIDE PIN
dr	LSANDERS	XXXX±.0020/.05		dwg no
enrg	M.GRAY	3/22/00		77031
chr	M.GRAY	3/22/00		sheet 3 of 5
appd	M.GRAY	3/22/00		size
				A3
sheet	revision			type
index	sheet			Product Customer Drawing

PDM: Rev:H STATUS:Released Printed: Feb 06, 2010

PRODUCT NO  
77031-106

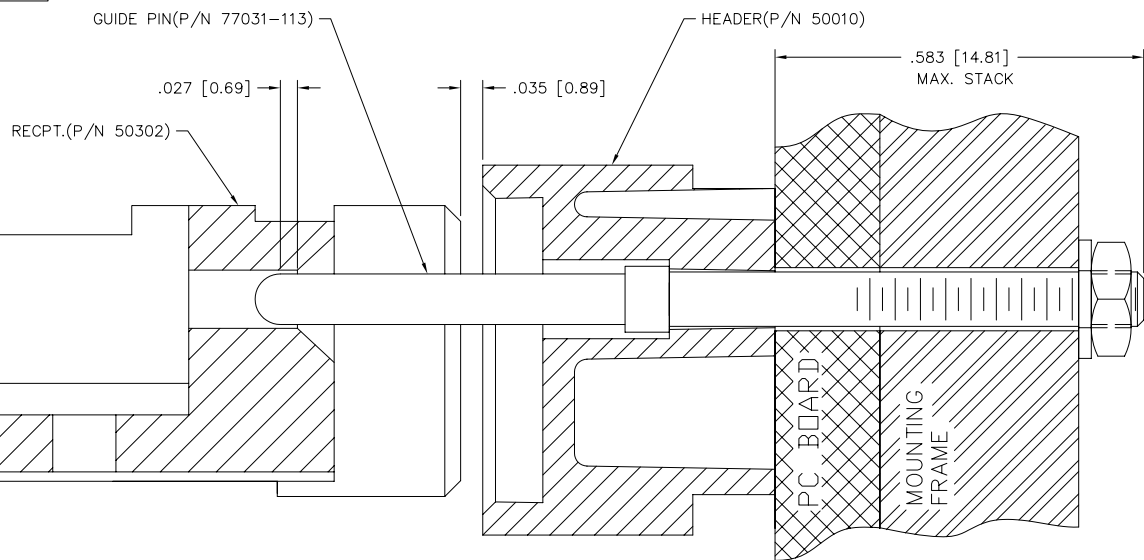


SCREW MOUNTED OPTION  
(SCALE 30:1)

mat'l. code SEE TABLE		surface ISO 1302	tolerance ISO 406 ISO 1101	projection 1st angle	product family HPC
ltr	ecn no	dr	date	title CENTER GUIDE PIN	
H				INCH/MM	
tolerances unless otherwise specified		angles	linear	scale 1:1	
		0°±2'	.XX±.01/.3		
		dr	LSANDERS	3/22/00	
		enrg	M.GRAY	3/22/00	
		chr	M.GRAY	3/22/00	
		appd	M.GRAY	3/22/00	
sheet index	revision sheet				

dwg no 77031 sheet 4 of 5 size A3  
type Product Customer Drawing

PRODUCT NO  
77031-113



mat'l. code SEE TABLE		surface ISO 1302	tolerance ISO 406 ISO 1101	projection ASME Y14.5	product family HPC
ltr	ecn no	dr	date	angles	linear
H				0°±2°	linear
		tolerances unless otherwise specified		.XX±.01/.3	
				.XXX±.005/.13	
				XXXX±.0020/.05	
dr	LSANDERS	3/22/00		scale 1:1	
engr	M.GRAY	3/22/00			title CENTER GUIDE PIN
chr	M.GRAY	3/22/00			dwg no 77031
appd	M.GRAY	3/22/00			sheet 5 of 5 size A3
sheet index	revision sheet				type Product Customer Drawing

PDM: Rev:H STATUS:Released Printed: Feb 06, 2010