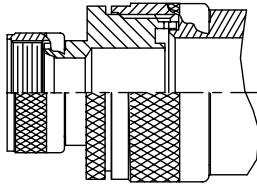




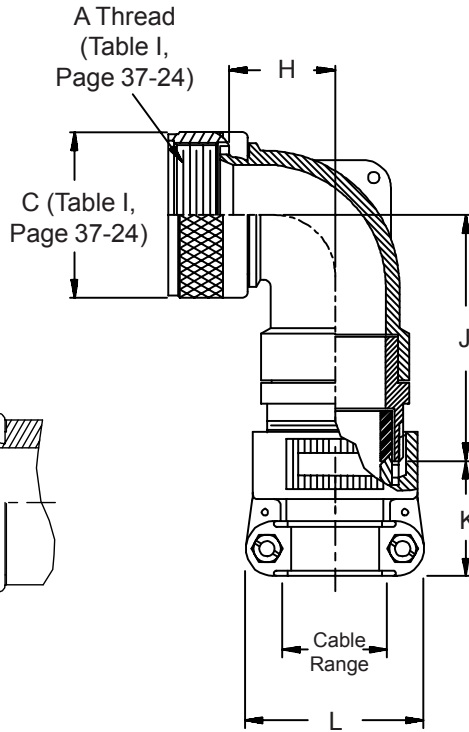
AS85049/9 and MS3188B Environmental Backshells

Glenair Connector Designator A

MIL-DTL-5015 Series 3400,
MIL-DTL-26482 Series 2,
AS81703 Series 3,
MIL-DTL-83723 Series I & III,
40M39569, DEF 5326-3,
EN 2997, EN 3646,
ESC 10, ESC 11, LN 29504,
NFC93422 Series HE302,
PAN 6432-1, PAN 6432-2,
PATT 602



STYLE 2



M85049/9-21 N

Basic Part No. _____
Dash No. _____
Finish and Material _____
B = Black Cadmium, Stainless Steel
N = Electroless Nickel, Aluminum
S = Passivated Stainless Steel
W = 1,000 Hour Cadmium Olive Drab
Over Electroless Nickel, Aluminum

Superceded Part Number

MS3188B 21 N

Basic Part No. _____
Dash No. _____
Finish (Material is Aluminum Only) _____
A = Cadmium Olive Drab over Nickel
C = Cadmium Olive Drab
N = Electroless Nickel

1. For complete dimensions see applicable Military Specification.
2. Metric dimensions (mm) are indicated in parentheses.
3. When maximum cable entry is exceeded, Style 2 will be supplied.
4. Cable range is defined as the accommodations range for the wire bundle or cable. Dimensions shown are not intended for inspection criteria.

TABLE II

| Dash No. | Shell Size | H | | J | | K | | L | | Cable Range | | M85049/42 Ref | | |
|----------|------------|-------|--------|-------|--------|-------|--------|-------|--------|-------------|--------|---------------|--------|----|
| | | Max | (mm) | Max | (mm) | Ref. | (mm) | Max | (mm) | Min | Max | | | |
| 1 | 03 | .761 | (19.3) | 1.862 | (47.3) | 1.027 | (26.1) | .957 | (24.3) | .125 | (3.2) | .250 | (6.4) | 4 |
| 2 | 03 | 1.511 | (38.4) | 1.382 | (35.1) | 1.027 | (26.1) | 1.145 | (29.1) | .250 | (6.4) | .437 | (11.1) | 6 |
| 3 | 08 | .666 | (16.9) | 1.262 | (32.1) | 1.027 | (26.1) | .957 | (24.3) | .125 | (3.2) | .250 | (6.4) | 4 |
| 4 | 10 | .761 | (19.3) | 1.982 | (50.3) | 1.027 | (26.1) | .957 | (24.3) | .125 | (3.2) | .312 | (7.9) | 4 |
| 5 | 10 | .761 | (19.3) | 1.382 | (35.1) | 1.027 | (26.1) | 1.145 | (29.1) | .250 | (6.4) | .375 | (9.5) | 6 |
| 6 | 12 | .766 | (19.5) | 2.002 | (50.9) | 1.027 | (26.1) | .957 | (24.3) | .125 | (3.2) | .312 | (7.9) | 4 |
| 7 | 12 | .766 | (19.5) | 2.002 | (50.9) | 1.027 | (26.1) | 1.145 | (29.1) | .250 | (6.4) | .437 | (11.1) | 6 |
| 8 | 12 | .766 | (19.5) | 1.397 | (35.5) | 1.027 | (26.1) | 1.332 | (33.8) | .350 | (8.9) | .500 | (12.7) | 10 |
| 9 | 14 | .866 | (22.0) | 2.072 | (52.6) | 1.027 | (26.1) | 1.145 | (29.1) | .250 | (6.4) | .437 | (11.1) | 6 |
| 10 | 14 | .866 | (22.0) | 1.717 | (43.6) | 1.027 | (26.1) | 1.332 | (33.8) | .350 | (8.9) | .575 | (14.6) | 10 |
| 11 | 16 | 1.051 | (26.7) | 2.162 | (54.9) | 1.027 | (26.1) | 1.145 | (29.1) | .250 | (6.4) | .437 | (11.1) | 6 |
| 12 | 16 | 1.051 | (26.7) | 1.807 | (45.9) | 1.059 | (26.9) | 1.551 | (39.4) | .500 | (12.7) | .700 | (17.8) | 12 |
| 13 | 18 | 1.141 | (29.0) | 2.332 | (59.2) | 1.027 | (26.1) | 1.332 | (33.8) | .350 | (8.9) | .625 | (15.9) | 10 |
| 14 | 18 | 1.141 | (29.0) | 1.982 | (50.3) | 1.156 | (29.4) | 1.770 | (45.0) | .625 | (15.9) | .779 | (19.8) | 16 |
| 15 | 20 | 1.141 | (29.0) | 2.332 | (59.2) | 1.027 | (26.1) | 1.332 | (33.8) | .350 | (8.9) | .625 | (15.9) | 10 |
| 16 | 20 | 1.141 | (29.0) | 1.982 | (50.3) | 1.156 | (29.4) | 1.770 | (45.0) | .625 | (15.9) | .904 | (23.0) | 16 |
| 17 | 22 | 1.291 | (32.8) | 2.442 | (62.0) | 1.059 | (26.9) | 1.551 | (39.4) | .500 | (12.7) | .750 | (19.1) | 12 |
| 18 | 22 | 1.291 | (32.8) | 2.087 | (53.0) | 1.375 | (34.9) | 2.113 | (53.7) | .875 | (22.2) | 1.029 | (26.1) | 20 |
| 19 | 24 | 1.291 | (32.8) | 2.442 | (62.0) | 1.059 | (26.9) | 1.551 | (39.4) | .500 | (12.7) | .750 | (19.1) | 12 |
| 20 | 24 | 1.291 | (32.8) | 2.087 | (53.0) | 1.375 | (34.9) | 2.113 | (53.7) | .875 | (22.2) | 1.144 | (29.1) | 20 |
| 21 | 28 | 1.391 | (35.3) | 2.612 | (66.3) | 1.156 | (33.7) | 1.770 | (45.0) | .625 | (15.9) | .937 | (23.8) | 16 |

AS85049/9 and MS3188B
Environmental Backshells



Environmental
Backshells

TABLE II (Continued)

| Dash No. | Shell Size | H | | J | | K Ref. | L | | Cable Range | | | M85049/42 Ref | | |
|----------|------------|-------|--------|-------|--------|--------|--------|-------|-------------|-------|--------|---------------|--------|----|
| | | Max | | Max | | | Max | | Min | Max | | | | |
| 22 | 28 | 1.391 | (35.3) | 2.257 | (57.3) | 1.500 | (38.1) | 2.363 | (60.0) | 1.000 | (25.4) | 1.375 | (34.9) | 24 |
| 23 | 32 | 1.741 | (44.2) | 2.862 | (72.7) | 1.156 | (29.4) | 1.770 | (45.0) | .625 | (15.9) | .937 | (23.8) | 16 |
| 24 | 32 | 1.741 | (44.2) | 2.862 | (72.7) | 1.375 | (34.9) | 2.113 | (53.7) | .875 | (22.2) | 1.250 | (31.8) | 20 |
| 25 | 32 | 1.741 | (44.2) | 2.507 | (63.7) | 1.781 | (45.2) | 2.770 | (70.4) | 1.250 | (31.8) | 1.625 | (41.3) | 28 |
| 26 | 36 | 1.941 | (49.3) | 2.832 | (71.9) | 1.156 | (29.4) | 1.770 | (45.0) | .625 | (15.9) | .937 | (23.8) | 16 |
| 27 | 36 | 1.941 | (49.3) | 2.832 | (71.9) | 1.500 | (38.1) | 2.363 | (60.0) | 1.000 | (25.4) | 1.375 | (34.9) | 24 |
| 28 | 36 | 1.941 | (49.3) | 2.477 | (62.9) | 1.830 | (46.5) | 3.020 | (76.7) | 1.437 | (36.5) | 1.840 | (46.7) | 32 |
| 29 | 40 | 2.691 | (68.4) | 2.832 | (71.9) | 1.156 | (29.4) | 1.770 | (45.0) | .625 | (15.9) | .937 | (23.8) | 16 |
| 30 | 40 | 2.691 | (68.4) | 2.832 | (71.9) | 1.500 | (38.1) | 2.363 | (60.0) | 1.000 | (25.4) | 1.375 | (34.9) | 24 |
| 31 | 40 | 2.691 | (68.4) | 2.477 | (62.9) | 1.830 | (46.5) | 3.020 | (76.7) | 1.437 | (36.5) | 1.875 | (47.6) | 32 |
| 32 | 44 | 2.691 | (68.4) | 2.832 | (71.9) | 1.156 | (29.4) | 1.770 | (45.0) | .625 | (15.9) | .937 | (23.8) | 16 |
| 33 | 44 | 2.691 | (68.4) | 2.832 | (71.9) | 1.500 | (38.1) | 2.363 | (60.0) | 1.000 | (25.4) | 1.375 | (34.9) | 24 |
| 34 | 44 | 2.691 | (68.4) | 2.477 | (62.9) | 1.830 | (46.5) | 3.020 | (76.7) | 1.437 | (36.5) | 1.875 | (47.6) | 32 |
| 35 | 48 | 2.691 | (68.4) | 2.832 | (71.9) | 1.156 | (29.4) | 1.770 | (45.0) | .625 | (15.9) | .937 | (23.8) | 16 |
| 36 | 48 | 2.691 | (68.4) | 2.832 | (71.9) | 1.500 | (38.1) | 2.363 | (60.0) | 1.000 | (25.4) | 1.375 | (34.9) | 24 |
| 37 | 48 | 2.691 | (68.4) | 2.477 | (62.9) | 1.830 | (46.5) | 3.020 | (76.7) | 1.437 | (36.5) | 1.875 | (47.6) | 32 |
| 38 | 61 | 1.291 | (32.8) | 2.442 | (62.0) | 1.059 | (26.9) | 1.551 | (39.4) | .500 | (12.7) | .750 | (19.1) | 12 |
| 39 | 61 | 1.291 | (32.8) | 2.087 | (53.0) | 1.375 | (34.9) | 2.113 | (53.7) | .875 | (22.2) | 1.184 | (30.1) | 20 |
| 40 | 16 | 1.051 | (26.7) | 2.162 | (54.9) | 1.027 | (26.1) | 1.332 | (33.8) | .350 | (8.9) | .625 | (15.9) | 10 |
| 41 | 18 | 1.141 | (29.0) | 2.332 | (59.2) | 1.027 | (26.1) | .957 | (24.3) | .125 | (3.2) | .312 | (7.9) | 4 |
| 42 | 18 | 1.141 | (29.0) | 2.332 | (59.2) | 1.027 | (26.1) | 1.145 | (29.1) | .250 | (6.4) | .437 | (11.1) | 6 |
| 43 | 20 | 1.141 | (29.0) | 2.332 | (59.2) | 1.027 | (26.1) | 1.145 | (29.1) | .250 | (6.4) | .437 | (11.1) | 6 |
| 44 | 22 | 1.291 | (32.8) | 2.442 | (62.0) | 1.027 | (26.1) | .957 | (24.3) | .125 | (3.2) | .312 | (7.9) | 4 |
| 45 | 22 | 1.291 | (32.8) | 2.442 | (62.0) | 1.027 | (26.1) | 1.145 | (29.1) | .250 | (6.4) | .437 | (11.1) | 6 |
| 46 | 24 | 1.291 | (32.8) | 2.442 | (62.0) | 1.027 | (26.1) | 1.332 | (33.8) | .350 | (8.9) | .625 | (15.9) | 10 |
| 47 | 36 | 1.941 | (49.3) | 2.832 | (71.9) | 1.059 | (26.9) | 1.551 | (39.4) | .500 | (12.7) | .750 | (19.1) | 12 |
| 48 | 40 | 1.941 | (49.3) | 2.832 | (71.9) | 1.059 | (26.9) | 1.551 | (39.4) | .500 | (12.7) | .750 | (19.1) | 12 |
| 49* | 10 | 1.516 | (38.5) | 2.002 | (50.9) | 1.027 | (26.1) | 1.145 | (29.1) | .250 | (6.4) | .437 | (11.1) | 6 |
| 50* | 14 | 1.891 | (48.0) | 2.332 | (59.2) | 1.059 | (26.9) | 1.551 | (39.4) | .500 | (12.7) | .750 | (19.1) | 12 |
| 51* | 16 | 2.041 | (51.8) | 2.442 | (62.0) | 1.156 | (29.4) | 1.770 | (45.0) | .625 | (15.9) | .937 | (23.8) | 16 |
| 52 | 18 | 1.141 | (29.0) | 2.332 | (59.2) | 1.059 | (26.9) | 1.551 | (39.4) | .500 | (12.7) | .750 | (19.1) | 12 |
| 53 | 61 | 1.291 | (32.8) | 2.087 | (53.0) | 1.156 | (29.4) | 1.770 | (45.0) | .625 | (15.9) | .937 | (23.8) | 16 |
| 54 | 20 | 1.141 | (29.0) | 2.332 | (59.2) | 1.059 | (26.9) | 1.551 | (39.4) | .500 | (12.7) | .750 | (19.1) | 12 |
| 55* | 20 | 2.141 | (54.4) | 2.612 | (66.3) | 1.375 | (34.9) | 2.113 | (53.7) | .875 | (22.2) | 1.250 | (31.8) | 20 |
| 56 | 22 | 1.291 | (32.8) | 2.442 | (62.0) | 1.027 | (26.1) | 1.332 | (33.8) | .350 | (8.9) | .625 | (15.9) | 10 |
| 57 | 22 | 1.291 | (32.8) | 2.442 | (62.0) | 1.156 | (29.4) | 1.770 | (45.0) | .625 | (15.9) | .937 | (23.8) | 16 |
| 58* | 22 | 2.141 | (54.4) | 2.612 | (66.3) | 1.375 | (34.9) | 2.113 | (53.7) | .875 | (22.2) | 1.250 | (31.8) | 20 |
| 59 | 24 | 1.291 | (32.8) | 2.442 | (62.0) | 1.156 | (29.4) | 1.770 | (45.0) | .625 | (15.9) | .937 | (23.8) | 16 |
| 60 | 28 | 1.391 | (35.3) | 2.612 | (66.3) | 1.059 | (26.9) | 1.551 | (39.4) | .500 | (12.7) | .750 | (19.1) | 12 |
| 61 | 28 | 1.391 | (35.3) | 2.612 | (66.3) | 1.375 | (34.9) | 2.113 | (53.7) | .875 | (22.2) | 1.250 | (31.8) | 20 |
| 62 | 32 | 1.741 | (44.2) | 2.862 | (72.7) | 1.500 | (38.1) | 2.363 | (60.0) | 1.000 | (25.4) | 1.375 | (34.9) | 24 |
| 63 | 36 | 1.941 | (49.3) | 2.832 | (71.9) | 1.375 | (34.9) | 2.113 | (53.7) | .875 | (22.2) | 1.250 | (31.8) | 20 |
| 64 | 36 | 1.941 | (49.3) | 2.832 | (71.9) | 1.781 | (45.2) | 2.770 | (70.4) | 1.250 | (31.8) | 1.625 | (41.3) | 28 |
| 65 | 40 | 2.691 | (68.4) | 2.832 | (71.9) | 1.375 | (34.9) | 2.113 | (53.7) | .875 | (22.2) | 1.250 | (31.8) | 20 |
| 66 | 40 | 2.691 | (68.4) | 2.832 | (71.9) | 1.781 | (45.2) | 2.770 | (70.4) | 1.250 | (31.8) | 1.625 | (41.3) | 28 |
| 67 | 44 | 2.691 | (68.4) | 2.832 | (71.9) | 1.375 | (34.9) | 2.113 | (53.7) | .875 | (22.2) | 1.250 | (31.8) | 20 |
| 68 | 44 | 2.691 | (68.4) | 2.832 | (71.9) | 1.781 | (45.2) | 2.770 | (70.4) | 1.250 | (31.8) | 1.625 | (41.3) | 28 |
| 69 | 48 | 2.691 | (68.4) | 2.832 | (71.9) | 1.375 | (34.9) | 2.113 | (53.7) | .875 | (22.2) | 1.250 | (31.8) | 20 |
| 70 | 48 | 2.691 | (68.4) | 2.832 | (71.9) | 1.781 | (45.2) | 2.770 | (70.4) | 1.250 | (31.8) | 1.625 | (41.3) | 28 |
| 71* | 12 | 1.811 | (46.0) | 2.162 | (54.9) | 1.027 | (26.1) | 1.332 | (33.8) | .350 | (8.9) | .625 | (15.9) | 10 |
| 72* | 18 | 2.051 | (52.1) | 2.442 | (62.0) | 1.156 | (29.4) | 1.770 | (45.0) | .625 | (15.9) | .937 | (23.8) | 16 |
| 73* | 24 | 2.151 | (54.6) | 2.612 | (66.3) | 1.375 | (34.9) | 2.116 | (53.7) | .875 | (22.2) | 1.250 | (31.8) | 20 |
| 74 | 14 | .866 | (22.0) | 2.072 | (52.6) | 1.027 | (26.1) | .957 | (24.3) | .125 | (3.2) | .312 | (7.9) | 4 |
| 75 | 16 | 1.051 | (26.7) | 2.162 | (54.9) | 1.027 | (26.1) | .957 | (24.3) | .125 | (3.2) | .312 | (7.9) | 4 |

© 2005 Glenair, Inc.

CAGE Code 06324

Printed in U.S.A.

GLENAIR, INC. • 1211 AIR WAY • GLENDALE, CA 91201-2497 • 818-247-6000 • FAX 818-500-9912
www.glenair.com * Denotes Style 2 37-23 E-Mail: sales@glenair.com