

## Unshielded Cable Clamps (Continued)

### Material and Finish:

**Cable Clamp Housing**—Nylon, black

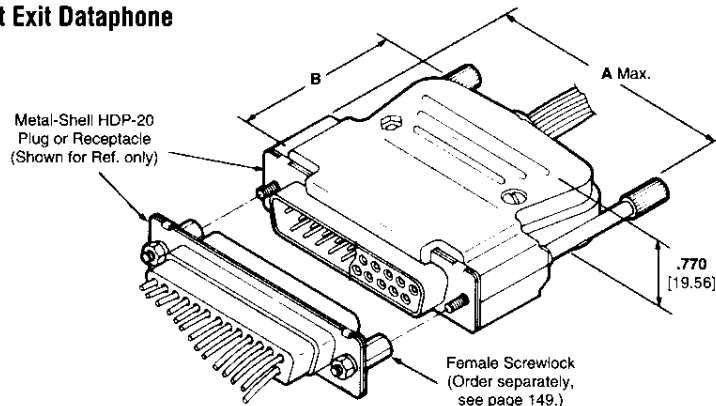
**4-40 Fillister Head Screws & Hex Nuts**—Steel, clear zinc plated

**Jackscrews**—Steel, black zinc plated

### Related Product Data:

**Connectors used with:**  
**HDP Metal-Shell**—pages 95-107

### Straight Exit Dataphone



Shell Size	Dimensions		Max. Cable Dia. (without Gate)	Max. Cable Dia. (with Gate)	Cable Gate Identification*	Thread Size	Cable Clamp Kit No.
	A	B					
2	1.575 40.01	1.312 33.32	.400 10.16	.200 5.08	2A	4-40	745122-2
				.260 6.60	2B		
				.320 8.13	2C		
3	2.115 53.72	1.421 36.09	.500 12.70	.250 6.35	3A	4-40	745121-2
				.340 8.64	3B		
				.420 10.67	3C		

\*Molded-in identification (as shown in chart above) is provided on cable support gates to facilitate proper selection with regard to shell size and maximum acceptable cable diameter.

- Notes:** 1. All parts are packaged unassembled.  
2. Cable diameter is adjustable by changing cable support gates.

### Straight Exit for Jacketed Cable (Two-Piece)

This cable clamp allows cable to be fully prepared and terminated to the connector before the clamp is installed.

### Material and Finish:

**Cable Clamps**—ABS black

**4-40 Fillister Head Screws and Hex Nuts**—Steel, zinc plated

**4-40 Mounting Screws**—Steel, zinc plated

**Jackscrews**—Stainless steel, passivated

### Related Product Data:

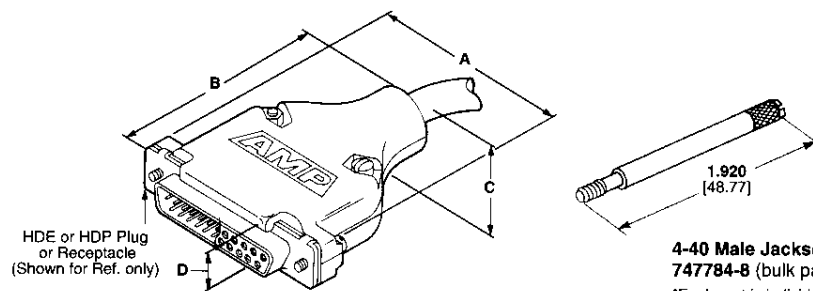
**Ferrules**—pages 148-150

**Connectors used with:**  
**HDE Metal-Shell**—pages 119 & 120  
**HDP Metal-Shell**—pages 95-107

**Other accessory capabilities:**  
**Spring Latch (Two-Piece)**—page 157

### Technical Documents:

**Instruction Sheet**—408-6609



### Cable Clamp Kits with Grommets

Shell Size	Dimensions				Cable O.D. Range	No. of Grommets Per Set	Kit Numbers
	A	B	C	D			
1	1.215 30.86	1.910 48.51	.570 14.48	.630 16.00	.185-.320 4.70-8.13	4	748678-1
	1.545 39.24	1.910 48.51	.620 15.75	.620 15.75	.185-.320 4.70-8.13		
2	2.090 53.09	1.920 48.77	.680 17.27	.640 16.26	.255-.470 6.48-11.94	6	748678-3
	2.738 69.55	1.920 48.77	.800 20.32	.620 15.75	.255-.470 6.48-11.94		
3	2.644 67.16	1.920 48.77	.900 22.86	.730 18.54	.255-.470 6.48-11.94	6	748678-5
	2.090 53.09	1.920 48.77	.680 17.27	.640 16.26	.255-.470 6.48-11.94		

- Notes:** 1. All parts are packaged unassembled.  
2. Jackscrews must be purchased separately.  
3. Split-ring and crimp ferrules are shown on pages 148-150.  
4. Shielded cable clamps will not accept connector housings with clinch nuts.