

AS85049/1 and MS3057B Strain Reliefs



Strain
Reliefs

MIL-DTL-5015
MS "V" Thread
(Mates to General
Duty 'A' Endbell)

M85049/1-12B
Basic Part No. _____ Dash No. _____

SUPERCEDED SPECIFICATION

MS3057-16B
Basic Part No. _____ Dash No. _____

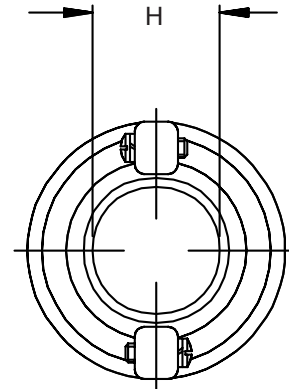
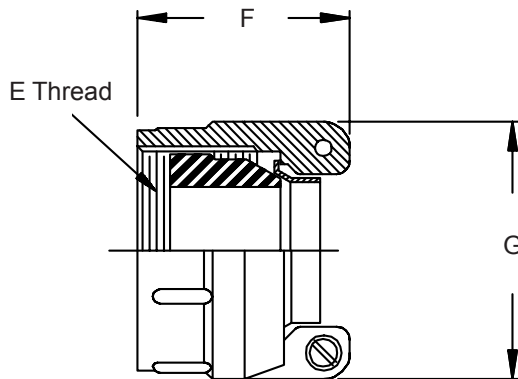


TABLE I

Dash No.	Conn. Shell Ref.(s)	E Thread Class 2B	F Max	G Dia Max	H Min
3B	8S, 10S	1/2 - 28 UNEF	1.031 (26.2)	.812 (20.6)	.231 (5.9)
4B	10SL, 12S, 12	5/8 - 24 UNEF	1.031 (26.2)	.937 (23.8)	.315 (8.0)
6B	14S, 14	3/4 - 20 UNEF	1.031 (26.2)	1.062 (27.0)	.440 (11.2)
8B	16S, 16	7/8 - 20 UNEF	1.031 (26.2)	1.188 (30.2)	.515 (13.1)
10B	18	1 - 20 UNEF	1.094 (27.8)	1.312 (33.3)	.614 (15.6)
12B	20, 22	1 3/16 - 18 UNEF	1.219 (31.0)	1.562 (39.7)	.738 (18.7)
16B	24, 28	1 7/16 - 18 UNEF	1.219 (31.0)	1.750 (44.5)	.926 (23.5)
20B	32	1 3/4 - 18 UNS	1.344 (34.1)	2.250 (57.2)	1.200 (30.5)
24B	36	2 - 18 UNS	1.547 (39.3)	2.375 (60.3)	1.363 (34.6)
28B	40	2 1/4 - 16 UN	1.547 (39.3)	2.625 (66.7)	1.611 (40.9)
32B	44	2 1/2 - 16 UN	1.734 (44.0)	2.812 (71.4)	1.865 (47.4)
40B	48	3 - 16 UN	1.781 (45.2)	3.312 (84.1)	2.365 (60.1)

1. For complete dimensions see applicable Military Specification.
2. Metric dimensions (mm) are indicated in parentheses.
3. Cable Entry is defined as the accomodation entry for the wire bundle or cable.
Dimensions are not intended for inspection criteria.
4. Finish on M85049/1 is cadmium olive drab over electroless nickel (1,000 hour salt spray).