

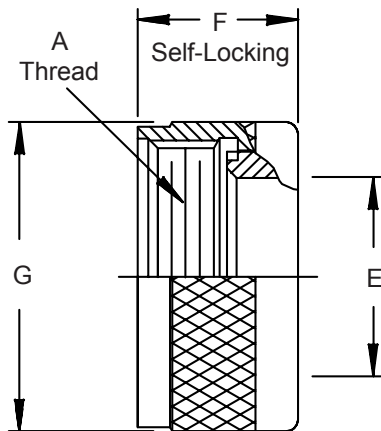
AS85049/31, MS3416 E and M83723/15N "E" Nuts



"E" Nuts

Glenair Connector Designator A

MIL-DTL-5015 Series 3400,
MIL-DTL-26482 Series 2,
AS81703 Series 3,
MIL-DTL-83723 Series I &
III, 40M39569, DEF 5326-3,
EN 2997, EN 3646,
ESC 10, ESC 11, LN 29504,
NFC93422 Series HE302,
PAN 6432-1, PAN 6432-2,
PATT 602



M85049/31 S 22 N

Basic Part No. _____
S = Self-Locking
Use Dash (-) for
Non-Self Locking
Finish
A = Black Anodize
N = Electroless Nickel
W = 1,000 Hr. Cadmium Olive
Drab Over Electroless Nickel
Shell Size

MS3416-10 E A

SUPERCEDED SPEC.

Basic Part No. _____
(Non-Self-Locking Only)
Dash No. _____
Style _____
Material and Finish Designator
A = Aluminum, 500 Hour Cad. Olive
Drab Over Electroless Nickel
C = Aluminum, Cadmium Olive Drab
G = Aluminum, Black Anodize
N = Aluminum, Electroless Nickel

M83723/15N-10 A

SUPERCEDED SPEC.

Basic Part No. _____
(Non-Self-Locking Only)
Dash No. _____
Finish Designator
A = Non-Conductive, Black Anodize
R = Conductive, Electroless Nickel

TABLE I

| Shell Size | A Thread Class 2B | E Dia Max | F Max | G Dia Max |
|------------|-------------------|--------------|-------------|--------------|
| 3 | .562 - 24 UNEF | .270 (6.9) | -- | -- |
| 8 | .500 - 20 UNF | .270 (6.9) | .710 (18.0) | .885 (22.5) |
| 10 | .625 - 24 UNEF | .375 (9.5) | .710 (18.0) | 1.010 (25.7) |
| 12 | .750 - 20 UNEF | .511 (13.0) | .710 (18.0) | 1.135 (28.8) |
| 14 | .875 - 20 UNEF | .585 (14.9) | .710 (18.0) | 1.260 (32.0) |
| 16 | 1.000 - 20 UNEF | .710 (18.0) | .710 (18.0) | 1.385 (35.2) |
| 18 | 1.062 - 18 UNEF | .789 (20.0) | .710 (18.0) | 1.510 (38.4) |
| 20 | 1.188 - 18 UNEF | .914 (23.2) | .710 (18.0) | 1.635 (41.5) |
| 22 | 1.313 - 18 UNEF | 1.039 (26.4) | .710 (18.0) | 1.760 (44.7) |
| 24 | 1.438 - 18 UNEF | 1.154 (29.3) | .710 (18.0) | 1.885 (47.9) |
| 28 | 1.750 - 18 UNS | 1.389 (35.3) | .890 (22.6) | 2.135 (54.2) |
| 32 | 2.000 - 18 UNS | 1.635 (41.5) | .890 (22.6) | 2.395 (60.8) |
| 36 | 2.250 - 16 UN | 1.850 (47.0) | .890 (22.6) | 2.635 (66.9) |
| 40 | 2.500 - 16 UN | 2.065 (52.5) | .890 (22.6) | 2.885 (73.3) |
| 44 | 2.750 - 16 UN | 2.320 (58.9) | .890 (22.6) | 3.135 (79.6) |
| 48 | 3.000 - 16 UN | 2.570 (65.3) | .890 (22.6) | 3.385 (86.0) |
| 61 | 1.500 - 18 UNEF | 1.194 (30.3) | -- | -- |

1. For complete dimensions see applicable Military Specification.
2. Metric dimensions (mm) are indicated in parentheses.