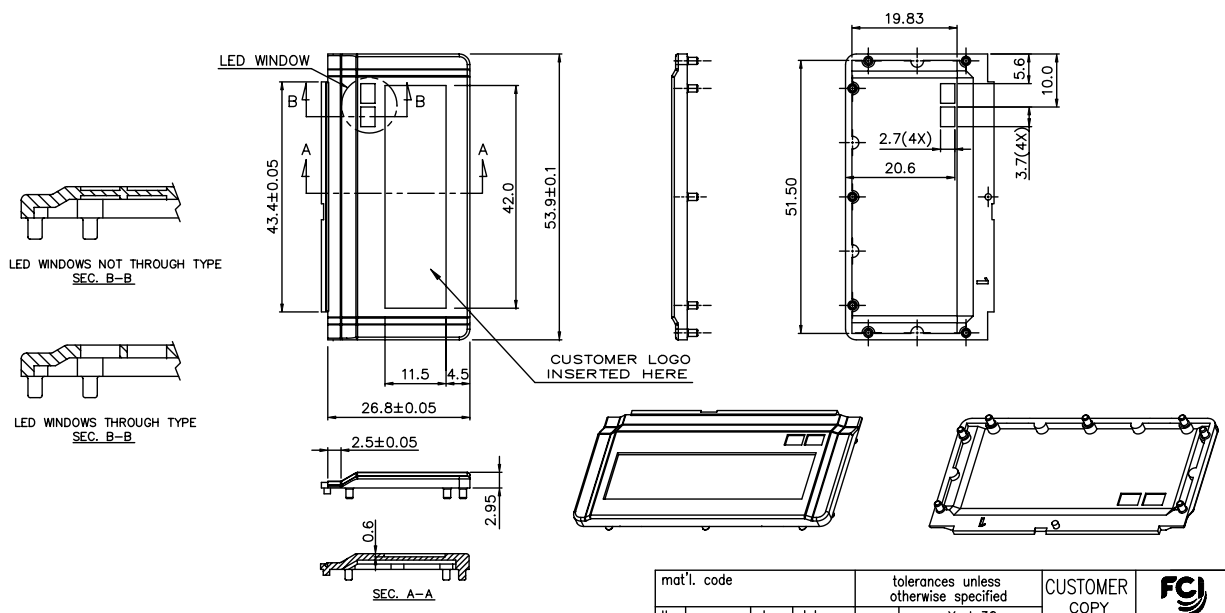


Tous droits strictement réservés. Reproduction ou communication à des tiers interdite sous quelque forme que ce soit sans autorisation écrite du propriétaire. Property of FCI. Droits de reproduction FCI.



All rights strictly reserved. Reproduction or issue to third parties in any form whatever is not permitted without written authority from the proprietor. Property of FCI. Copyright FCI.

PRODUCT NUMBER	COLOR	PACKING METHOD	LED WINDOW OPTION	P/N REMARK
56404-001-X / 56404-001LF-X	OPAQUE BLACK	PACKING WITH BUBBLE BAG	NONE	"X" can be None or Customized
56404-001T-X / 56404-001TLF-X	OPAQUE BLACK	PACKING WITH TRAY	NONE	"X" can be None or Customized
56404-002-X / 56404-002LF-X	TRANSLUCENT GRAY	PACKING WITH BUBBLE BAG	NONE	"X" can be None or Customized
56404-002T-X / 56404-002TLF-X	TRANSLUCENT GRAY	PACKING WITH TRAY	NONE	"X" can be None or Customized
56404-003-X / 56404-003LF-X	OPAQUE BLACK	PACKING WITH BUBBLE BAG	WITH & THROUGH TYPE	"X" can be None or Customized
56404-003T-X / 56404-003TLF-X	OPAQUE BLACK	PACKING WITH TRAY	WITH & THROUGH TYPE	"X" can be None or Customized
56404-004-X / 56404-004LF-X	TRANSLUCENT GRAY	PACKING WITH BUBBLE BAG	WITH & THROUGH TYPE	"X" can be None or Customized
56404-004T-X / 56404-004TLF-X	TRANSLUCENT GRAY	PACKING WITH TRAY	WITH & THROUGH TYPE	"X" can be None or Customized
56404-005-X / 56404-005LF-X	OPAQUE BLACK	PACKING WITH BUBBLE BAG	WITH & CONCAVE TYPE	"X" can be None or Customized
56404-005T-X / 56404-005TLF-X	OPAQUE BLACK	PACKING WITH TRAY	WITH & CONCAVE TYPE	"X" can be None or Customized
56404-006-X / 56404-006LF-X	TRANSLUCENT GRAY	PACKING WITH BUBBLE BAG	WITH & CONCAVE TYPE	"X" can be None or Customized
56404-006T-X / 56404-006TLF-X	TRANSLUCENT GRAY	PACKING WITH TRAY	WITH & CONCAVE TYPE	"X" can be None or Customized
56404-007T-X / 56404-007TLF-X	TRANSLUCENT BLACK	PACKING WITH TRAY	NONE	"X" can be None or Customized



NOTES:  
 1.MATERIAL: POLYCARBONATE G.E. LEXAN 940.  
 2.REFER TO TA-667 FOR OVER ASSEMBLY VIEW.  
 3.LED WINDOWS ARE OPTIONAL.

mat'l. code				tolerances unless otherwise specified				CUSTOMER COPY		FCI	
ltr	ecn no	dr	date	linear	.X ±.30	projection	title	www.fciconnect.com			
A	T10334	WL	11/23/01		.XX ±.20		TOP COVER				
B	T03-0245	WL	06/23/03		.XXX ±.10						
C	T03-0282	WL	07/09/03	angles	0° ±2°						
D	T03-0338	WL	08/14/03	dr	WENDY CHEN 06/09/01	MM	product family	code			
E	D607-0223	DT	06/31/07	enrg	YUWEN CHU 06/09/01	scale	size	dwg no			
				chr	YUWEN CHU 06/09/01	N/A	A4	56404	sheet	1 of 1	
				appd	JENN TSAO 06/09/01						
sheet index	revision sheet	E	1								