

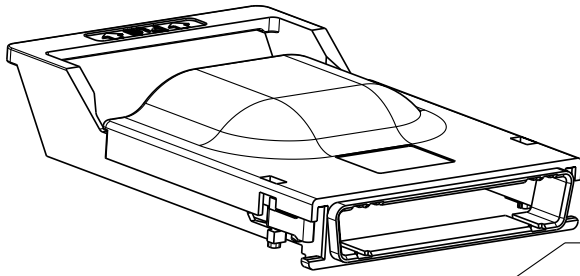
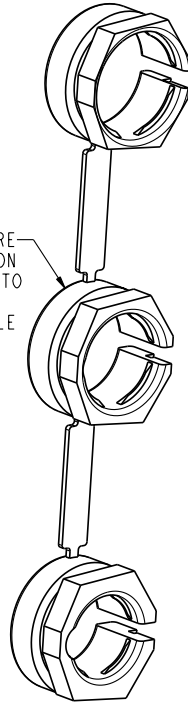
Tous droits strictement réservés. Reproduction ou communication à des tiers interdite sous quelque forme que ce soit sans l'autorisation écrite du propriétaire. Property of FCI. - Droits de reproduction FCI.



All rights strictly reserved. Reproduction or issue to third parties in any form whatever is not permitted without written permission of FCI. Property of FCI. Copyright FCI.

PRODUCT NUMBER
SEE TABLE

CABLE COLLAR, 3 SIZES ARE PROVIDED, SEE APPLICATION SPECIFICATION: GS-20-026 TO SELECT THE CORRECT SIZE FOR THE DIAMETER OF CABLE



PLUG ASSEMBLY WITH OR WITHOUT PCB
SEE CHART ON SHEET 5.

M2.5 x 0.45 OVAL HEAD SCREWS



TOLERANCES UNLESS OTHERWISE SPECIFIED			
LINEAR	0.X	±.3	F
	0.XX	±.10	G
	0.XXX	±.050	H
ANGULAR	0°	±2'	J

rev	ecn no	dr	date
C	V03-0415	GIP	04/15/03
D	V03-0796	GIP	07/21/03
E	V05-0528	DAI	06/30/05
F	V04-0008	DAI	01/28/04
G	V04-0508	DAI	06/16/04
H	V05-0064	TAB	03/03/05
J	V05-0528	DAI	06/30/05

FCI www.fciconnect.com		surface 3.2 ASME Y14.5	tolerance ASME Y14.5	projection	MM
Dr	D.FUSSELMAN	3/20/02	Product family	EYEMAX(tm)	size A4
Eng	S.OLSON	3/20/02	Spec ref		Scale 1:2
Chr	T.BRUNGARD	7/30/02	Material	SEE NOTES	ECN V05-0528
Appr	D.BRANN	7/30/02			
Title 12X PLUG KIT					Part no 58442
EYEMAX(TM)					Rev. J
catalog no					CUSTOMER sheet 1 of 5

3 PDM: Rev:J

STATUS Released

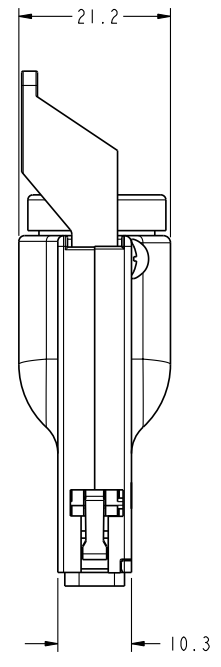
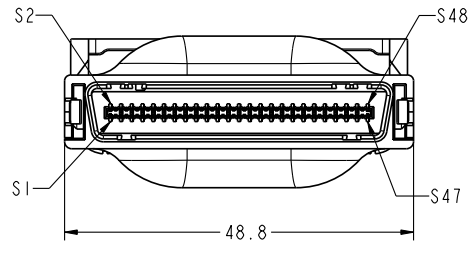
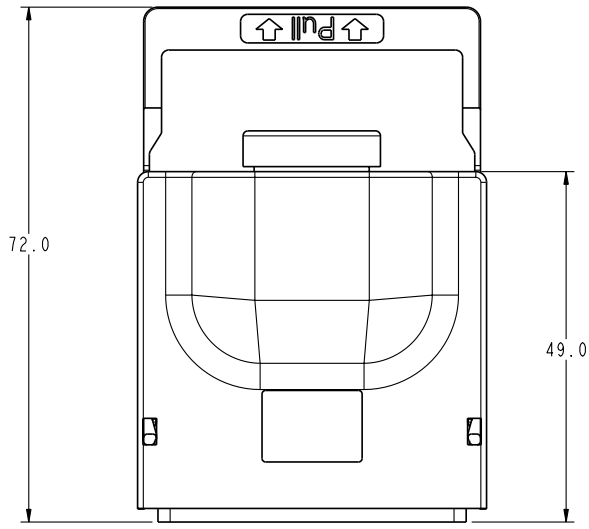
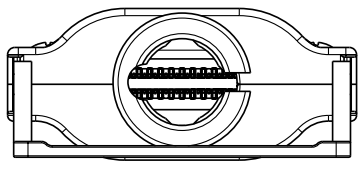
4 Printed: Jul 22, 2010

Tous droits strictement réservés. Reproduction ou communication à des tiers interdite sous quelque forme que ce soit sans l'autorisation écrite du propriétaire. Propriété de FCI. Droits de reproduction FCI.



All rights strictly reserved. Reproduction or issue to third parties in any form whatever is not permitted without written permission of the owner. Property of FCI. Copyright FCI.

PRODUCT NUMBER
SEE TABLE



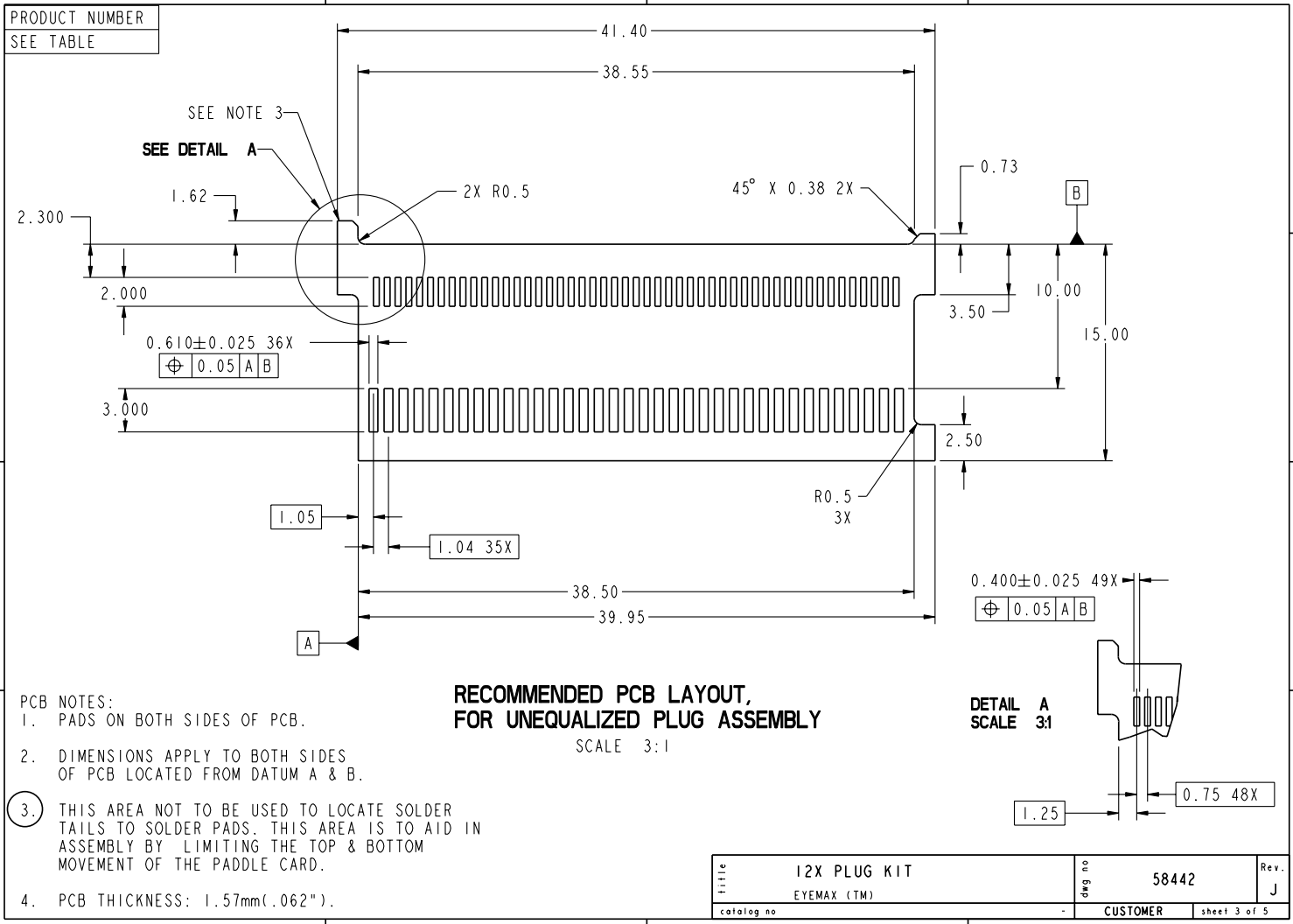
title	12X PLUG KIT EYEMAX (TM)	dwg no	58442	Rev.	J
catalog no			CUSTOMER	sheet 2 of 5	

³PDM: Rev:J STATUS Released ⁴ Printed: Jul 22, 2010

Tous droits strictement réservés. Reproduction ou communication à des tiers interdite sans que l'auteur ait donné son accord écrit et préalable. Propriété de FCI. Droits de reproduction FCI.

FCI

All rights strictly reserved. Reproduction or issue to third parties in any form or manner is not permitted without written permission of FCI. Copyright FCI.



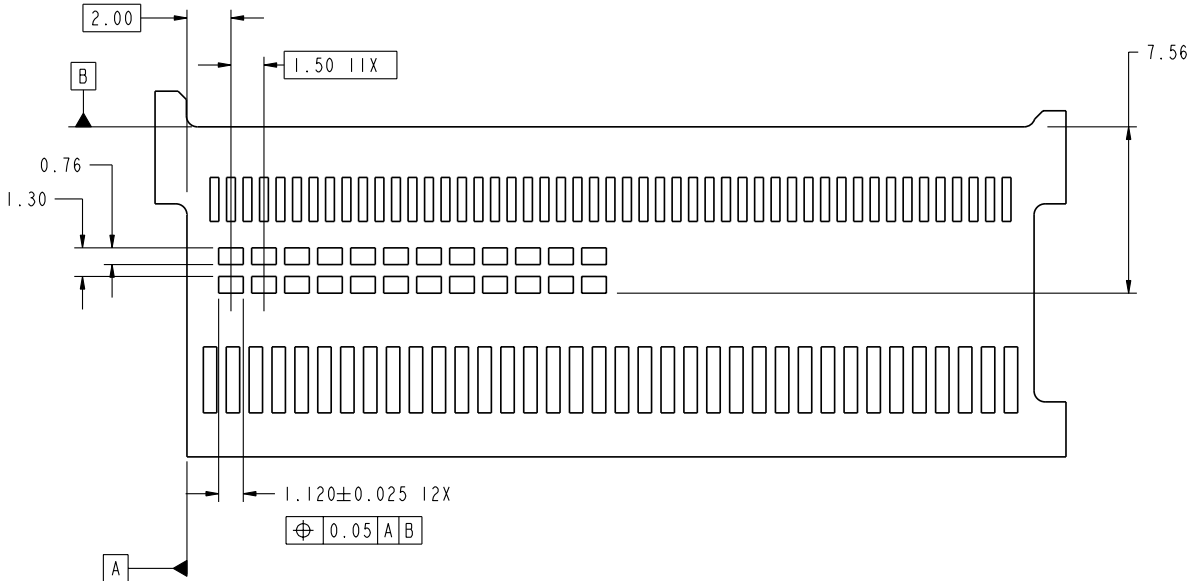
- PCB NOTES:
- PADS ON BOTH SIDES OF PCB.
 - DIMENSIONS APPLY TO BOTH SIDES OF PCB LOCATED FROM DATUM A & B.
 - THIS AREA NOT TO BE USED TO LOCATE SOLDER TAILS TO SOLDER PADS. THIS AREA IS TO AID IN ASSEMBLY BY LIMITING THE TOP & BOTTOM MOVEMENT OF THE PADDLE CARD.
 - PCB THICKNESS: 1.57mm (.062").

Tous droits strictement réservés. Reproduction ou communication à des tiers interdite sous quelque forme que ce soit sans l'autorisation écrite de la propriété de FCI. Droits de reproduction FCI.



All rights strictly reserved. Reproduction or issue to third parties in any form whatever is not permitted without written permission of FCI. Copyright FCI.

PRODUCT NUMBER
SEE TABLE



**RECOMMENDED PCB LAYOUT
FOR EQUALIZED PLUG ASSEMBLY***

*COMPONENT PADS ADDED TO EQUALIZED PCB,
ALL OTHER DIMENSIONS THE SAME AS
UNEQUALIZED PCB AS SHOWN ON SHT. 3.
SEE PCB NOTES ON SHEET 3

title	12X PLUG KIT EYEMAX (TM)	drwg no	58442	Rev.	J
catalog no			CUSTOMER	sheet 4 of 5	

3 PDM: Rev:J

STATUS Released

4 Printed: Jul 22, 2010

Tous droits strictement réservés. Reproduction ou communication à des tiers interdite sous quelque forme que ce soit sans la permission écrite du propriétaire. Property of FCI. - Droits de reproduction FCI.

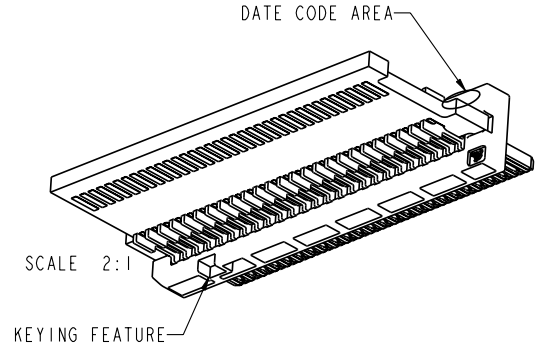
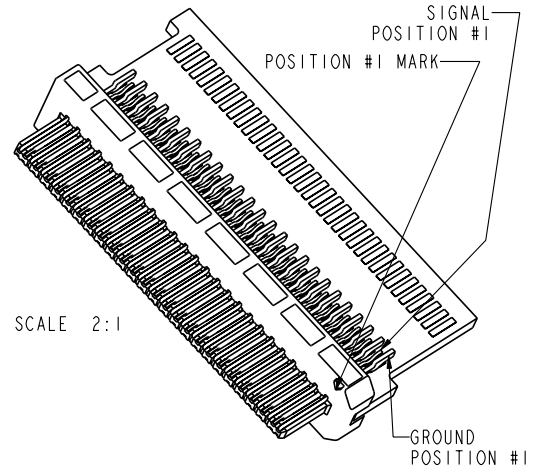


All rights strictly reserved. Reproduction or issue to third parties in any form whatever is not permitted without written permission of the owner. Property of FCI. - Copyright FCI.

PRODUCT NUMBER	DESCRIPTION
58442-001	PLUG KIT WITH UNEQUALIZED P1 PCB
58442-002	PLUG KIT WITHOUT PCB
58442-003	PLUG KIT WITH EQUALIZED P1 PCB WITHOUT COMPONENTS
58442-004	PLUG KIT FOR EQUALIZED P1 PCB WITH COMPONENTS
58442-101	PLUG KIT WITH UNEQUALIZED P2 PCB
58442-103	PLUG KIT WITH EQUALIZED P2 PCB WITHOUT COMPONENTS
58442-104	PLUG KIT FOR EQUALIZED P2 PCB WITH COMPONENTS

* ADD LF TO PART NUMBER FOR LEAD FREE SOLDER TAILS
 EXAMPLE: 58442-001LF SEE NOTES 1, 4, 7 AND 8
 NOTES:

- ① PACKAGING SPECIFICATION GS-14-794
 PACKAGING OF LEAD FREE PRODUCTS MEETS LABELING AND PACKAGING SPECIFICATION GS-14-920.
2. APPLICATION SPECIFICATION GS-20-026 FOR PADDLE CARD AND CABLE TERMINATION DETAILS. FOR EASE OF WIRE MANAGEMENT, A P1 ASSEMBLY IS RECOMMENDED ON ONE END OF THE CABLE AND A P2 ASSEMBLY ON THE OTHER END.
 PRODUCT SPECIFICATION GS-12-209
- ④ MATERIAL:
 CONTACTS: COPPER ALLOY WITH GOLD OVER NICKEL PLATING IN THE CONTACT AREA AND TIN/LEAD PLATING ON SOLDER TAILS UNLESS THE PART NUMBER ENDS IN LF
 LEAD FREE SOLDER TAIL PLATING 2um (80u") MIN MATTE TIN OVER 1.27um(50u") MIN NICKEL UNDERPLATE.
 HOUSING: HIGH TEMPERATURE THERMOPLASTIC, UL 94V-0 RATED SUITABLE FOR REFLOW SOLDERING.
 SHELLS: ZINC WITH NICKEL PLATING AND COPPER UNDERPLATING
 PULL TAB & CABLE COLLAR: THERMOPLASTIC
 LATCH: STAINLESS STEEL
5. MATES WITH RECEPTACLE 58366 OR 58367.
6. PLUG ASSEMBLIES, COVER ASSEMBLY KITS (58477) AND CABLE COLLARS (10007641) CAN BE PURCHASED AS SEPERATE ITEMS. PLUG ASSEMBLY DRAWINGS ARE 58443-NO PCB, 58638-UNEQUALIZED, 10026694-EQUALIZED.
- ⑦ IF LEAD FREE PART NUMBER, THE HOUSING WILL WITHSTAND EXPOSURE TO 260°C PEAK TEMPERATURE FOR 10 SECONDS IN A WAVE SOLDER APPLICATION WITH A 1.60mm MIN THICK CIRCUIT BOARD.
- ⑧ LEAD FREE PRODUCTS MEET EUROPEAN UNION DIRECTIVES AND OTHER COUNTRY REGULATIONS AS DESCRIBED IN GS-22-008.



title	12X PLUG KIT	Rev.	J
catlog no	EYEMAX (TM)	sheet	5 of 5
draw no	58442	CUSTOMER	