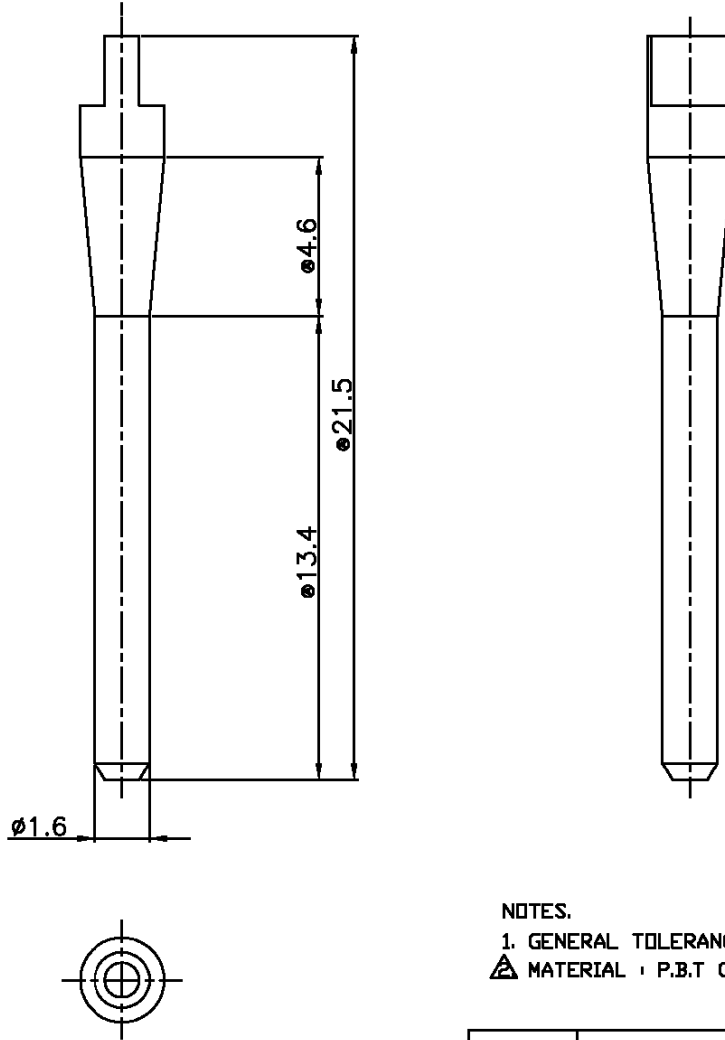
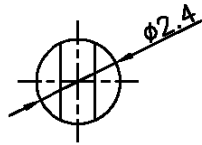


LOC	DIST	REVISIONS					
		P	LTR	DESCRIPTION	DATE	DWN	APVD
DS			A	REVISED(KFC00-0046-01)	24/APR/01	MS	CS
			B	REVISED(KFC00-0117-02)	09/AUG/02	MS	CS



- NOTES.
1. GENERAL TOLERANCE: ±0.3
▲ MATERIAL : P.B.T G15, COLOR : YELLOW

936054-1	CAVITY BLOCK	▲	YELLOW
P/N	DESCRIPTION	MATERIAL	COLOR

THIS DRAWING IS UNPUBLISHED.
 COPYRIGHT © BY TYCO ELECTRONICS CORPORATION. ALL RIGHTS RESERVED.
 RELEASED FOR PUBLICATION

DIMENSIONS: mm TOLERANCES UNLESS OTHERWISE SPECIFIED: 0 <XX<10 ± 0.2 10<XX<30 ± 0.25 30<XX ± 0.3 ANGLES ± 3°	DWN: MS HER	MATERIAL	SEE NOTE ▲	FINISH
	CHK: BM JANG	tyco AMP KOREA. Electronics kyungsan, korea		
	APVD: CS LEE	NAME		
	PRODUCT SPEC	CAVITY PLUG FOR ECU 81P & 40P PLUG ASS'Y		
	APPLICATION SPEC	SIZE	CAGE CODE	DRAWING NO
	WEIGHT	▲4	00779	©- 936054
3rd ANGLE PROJECTION		SCALE	5/1	SHEET 1 OF 1
				REV B