

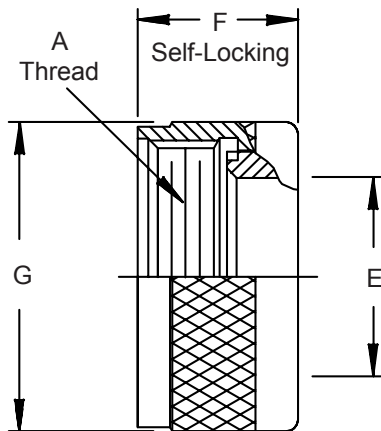
# AS85049/31, MS3416 E and M83723/15N "E" Nuts



"E" Nuts

## Glenair Connector Designator A

MIL-DTL-5015 Series 3400,  
MIL-DTL-26482 Series 2,  
AS81703 Series 3,  
MIL-DTL-83723 Series I &  
III, 40M39569, DEF 5326-3,  
EN 2997, EN 3646,  
ESC 10, ESC 11, LN 29504,  
NFC93422 Series HE302,  
PAN 6432-1, PAN 6432-2,  
PATT 602



**M85049/31 S 22 N**

Basic Part No. \_\_\_\_\_  
S = Self-Locking  
Use Dash (-) for  
Non-Self Locking  
Finish  
A = Black Anodize  
N = Electroless Nickel  
W = 1,000 Hr. Cadmium Olive  
Drab Over Electroless Nickel  
Shell Size

**MS3416-10 E A**

**SUPERCEDED SPEC.**

Basic Part No. \_\_\_\_\_  
(Non-Self-Locking Only)  
Dash No. \_\_\_\_\_  
Style \_\_\_\_\_  
Material and Finish Designator  
A = Aluminum, 500 Hour Cad. Olive  
Drab Over Electroless Nickel  
C = Aluminum, Cadmium Olive Drab  
G = Aluminum, Black Anodize  
N = Aluminum, Electroless Nickel

**M83723/15N-10 A**

**SUPERCEDED SPEC.**

Basic Part No. \_\_\_\_\_  
(Non-Self-Locking Only)  
Dash No. \_\_\_\_\_  
Finish Designator  
A = Non-Conductive, Black Anodize  
R = Conductive, Electroless Nickel

**TABLE I**

| Shell Size | A Thread Class 2B | E Dia Max    | F Max       | G Dia Max    |
|------------|-------------------|--------------|-------------|--------------|
| 3          | .562 - 24 UNEF    | .270 (6.9)   | --          | --           |
| 8          | .500 - 20 UNF     | .270 (6.9)   | .710 (18.0) | .885 (22.5)  |
| 10         | .625 - 24 UNEF    | .375 (9.5)   | .710 (18.0) | 1.010 (25.7) |
| 12         | .750 - 20 UNEF    | .511 (13.0)  | .710 (18.0) | 1.135 (28.8) |
| 14         | .875 - 20 UNEF    | .585 (14.9)  | .710 (18.0) | 1.260 (32.0) |
| 16         | 1.000 - 20 UNEF   | .710 (18.0)  | .710 (18.0) | 1.385 (35.2) |
| 18         | 1.062 - 18 UNEF   | .789 (20.0)  | .710 (18.0) | 1.510 (38.4) |
| 20         | 1.188 - 18 UNEF   | .914 (23.2)  | .710 (18.0) | 1.635 (41.5) |
| 22         | 1.313 - 18 UNEF   | 1.039 (26.4) | .710 (18.0) | 1.760 (44.7) |
| 24         | 1.438 - 18 UNEF   | 1.154 (29.3) | .710 (18.0) | 1.885 (47.9) |
| 28         | 1.750 - 18 UNS    | 1.389 (35.3) | .890 (22.6) | 2.135 (54.2) |
| 32         | 2.000 - 18 UNS    | 1.635 (41.5) | .890 (22.6) | 2.395 (60.8) |
| 36         | 2.250 - 16 UN     | 1.850 (47.0) | .890 (22.6) | 2.635 (66.9) |
| 40         | 2.500 - 16 UN     | 2.065 (52.5) | .890 (22.6) | 2.885 (73.3) |
| 44         | 2.750 - 16 UN     | 2.320 (58.9) | .890 (22.6) | 3.135 (79.6) |
| 48         | 3.000 - 16 UN     | 2.570 (65.3) | .890 (22.6) | 3.385 (86.0) |
| 61         | 1.500 - 18 UNEF   | 1.194 (30.3) | --          | --           |

1. For complete dimensions see applicable Military Specification.
2. Metric dimensions (mm) are indicated in parentheses.