

**Enclosure Kits**

**Materials and Finish**

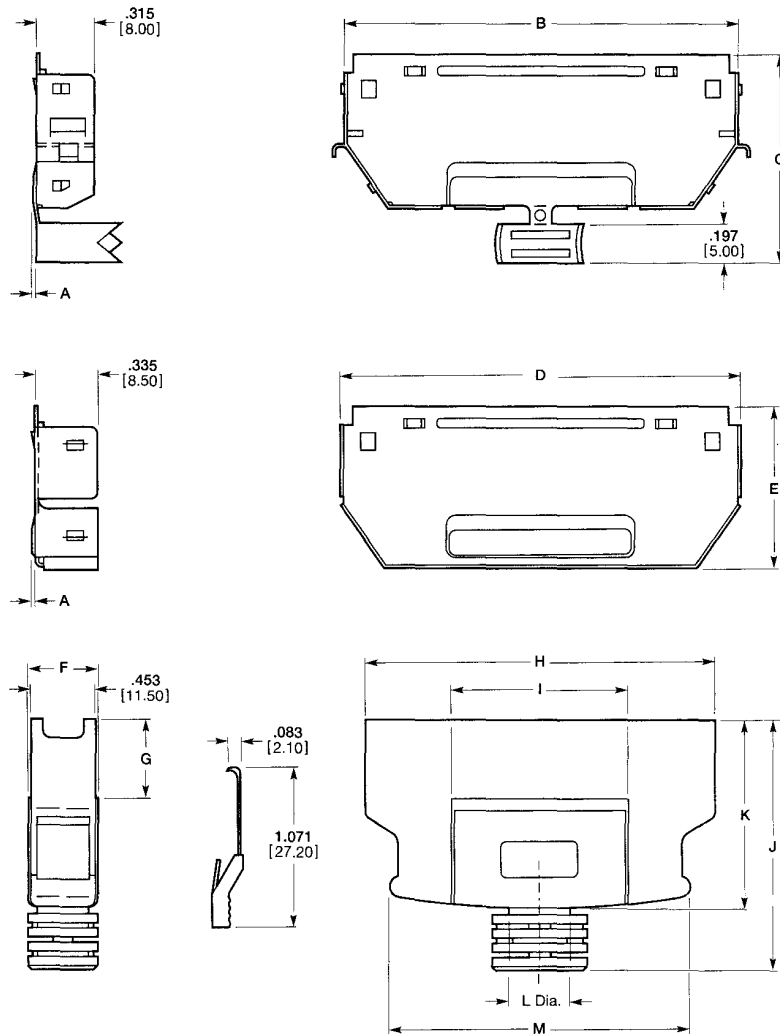
**Enclosure** — PBT, rated 94V-0, beige white (other colors available, contact Tyco Electronics)

**Shields** — Steel, plated nickel over copper underplating

**Locking Spring** — Stainless steel, overmolded with PBT, rated UL 94V-0, beige white

**Performance Specifications** — Page 59

**Cable Connectors** — Plug — Page 60



Pos.	Cable Dia.	Dimensions											Part Number		
		A	B	C	D	E	F	G	H	I	J	K		L	M
14	.169-.240 4.29-6.10	—	.783 19.89	1.102 28.00	0.834 21.18	.866 22.00	.453 11.51	—	1.017 25.83	.512 13.00	1.654 42.00	1.260 32.00	.248 6.30	0.675 17.14	176793-1
20	.212-.256 5.38-6.50	—	.933 23.70	1.102 28.00	0.984 24.99	.866 22.00	.453 11.51	—	1.167 29.64	.512 13.00	1.654 42.00	1.260 32.00	.264 6.70	0.825 20.95	176793-2
26	.232-.272 5.89-6.91	—	1.083 27.51	1.102 28.00	1.134 28.80	.866 22.00	.453 11.51	—	1.317 33.46	.512 13.00	1.654 42.00	1.260 32.00	.280 7.10	0.975 24.76	176793-4
36	.252-.311 6.40-7.90	—	1.333 33.86	1.102 28.00	1.384 35.15	.866 22.00	.453 11.51	—	1.567 39.80	.512 13.00	1.654 42.00	1.260 32.00	.319 8.10	1.225 31.11	176793-5
50	2.83-.335 7.18-8.51	—	1.683 42.75	1.102 28.00	1.734 44.04	.866 22.00	.453 11.51	—	1.917 48.69	.512 13.00	1.654 42.00	1.260 32.00	.343 8.70	1.575 40.00	176793-7
68	.319-.378 8.10-9.60	.024 0.60	2.133 54.18	1.102 28.00	2.184 55.47	.866 22.00	.472 12.00	.563 14.30	2.367 60.12	1.181 30.00	1.654 42.00	1.260 32.00	.386 9.80	2.025 51.43	176793-8
80	.335-.401 8.51-10.19	.024 0.60	2.433 61.80	1.220 31.00	2.484 63.09	.984 25.00	.465 11.80	.614 15.60	2.667 67.74	1.338 34.00	1.772 45.00	1.378 35.00	.406 10.30	2.325 59.05	1-176793-0
100	.390-.433 9.91-11.00	.051 1.30	2.933 74.50	1.299 33.00	2.984 75.79	1.063 27.00	.531 13.50	.492 12.50	3.167 80.44	1.496 38.00	1.850 47.00	1.457 37.01	.441 11.20	2.825 71.75	176793-9