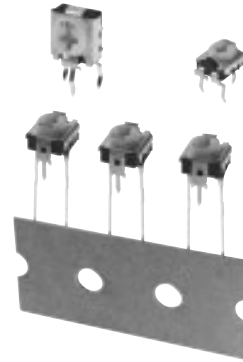


6FE Square Trimmer Potentiometers

Type: **EVND**



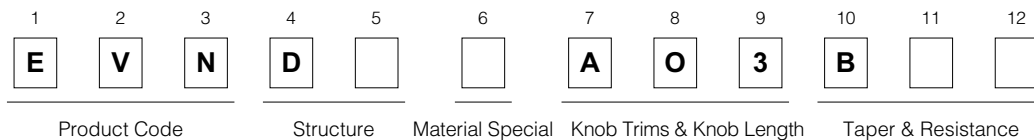
■ Features

- Top-adjust or side-adjust available
- Radial tapering supported
- High reliability (dustproof construction)

■ Recommended Applications

- Audio Visual Equipment, Home Electrical Appliances

■ Explanation of Part Numbers



■ Specifications

Electrical Specifications	Nominal Total Resistance	500 Ω to 1 MΩ
	Taper	B
	Rating	R ≤ 500 kΩ : 0.1 W 50 V (50 °C) R > 500 kΩ : 0.1 W 25 V (50 °C)
	Residual Resistance	R ≤ 1 kΩ : 30 Ω max., 1 kΩ < R ≤ 2 kΩ : 60 Ω max. 2 kΩ < R ≤ 1 MΩ : 3 % max., or 200 Ω max. whichever smaller
Mechanical Specifications	Rotation Angle	210 ° ± 20 °
	Rotation Torque	2 mN·m to 25 mN·m
	Stopper Strength	Surface : 75 mN·m, reverse side : 35 mN·m
Endurance	Operating Life	100 cycles
	Resistance to Soldering Heat	240 °C to 280 °C : 5 s max., 280 °C to 300 °C : 3 s max.
	Resistance to Damp	After 350 hours : R ≤ 100 kΩ +15 % -0 %, : 100 kΩ < R ≤ 1 MΩ +20 % -0 %
	Endurance under Damp	After 350 hours : 1.5 h ON 0.5 h OFF : R ≤ 100 kΩ ± 15 %, : 100 kΩ < R ≤ 1 MΩ ± 20 %
	Endurance under High Temperature	70 °C ± 3 °C After 250 hours +5 % , -15 %
Minimum Quantity/Packing Unit		EVND2A, EVND8A : 500 pcs. Polyethylene Bag (Bulk) EVNDJA, EVNDXA, EVNDCA : 1000 pcs. Radial Taping (Reel Pack)
Quantity/Carton		EVND2A, EVND8A : 5000 pcs. EVNDJA, EVNDXA, EVNDCA : 10000 pcs.

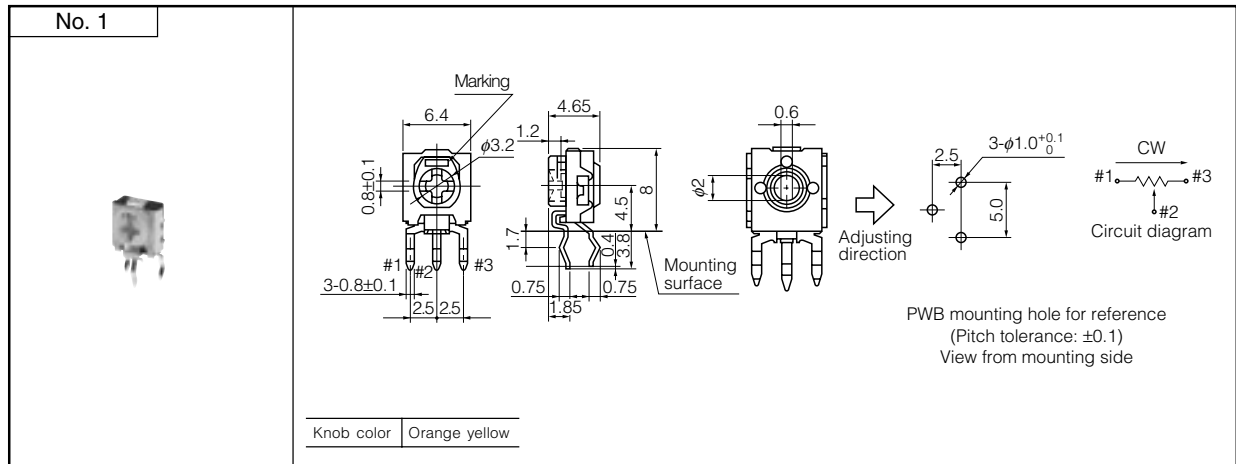
Note : R=Nominal Total Resistance

Design and specifications are each subject to change without notice. Ask factory for the current technical specifications before purchase and/or use. Should a safety concern arise regarding this product, please be sure to contact us immediately.

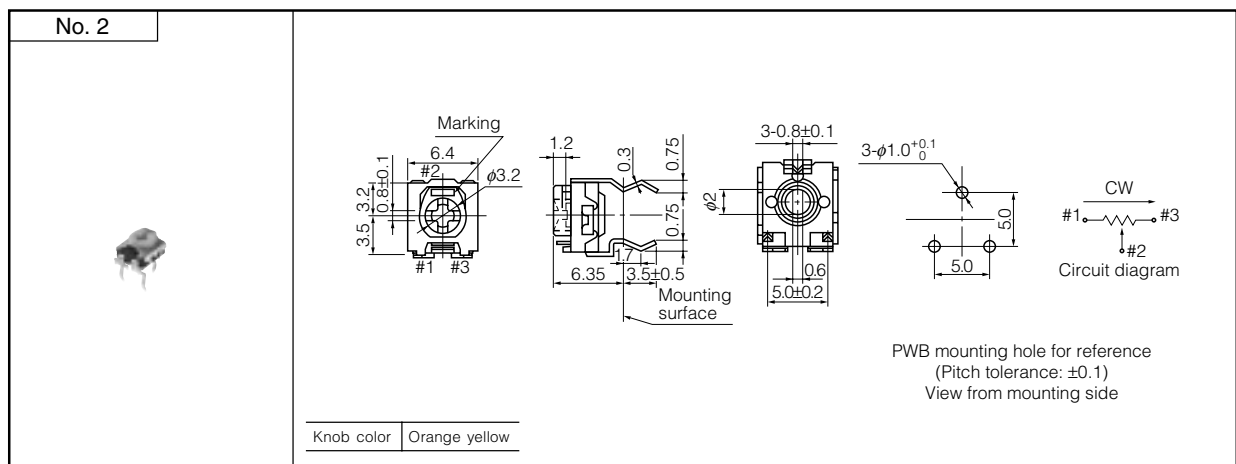
00 Sep. 2010

■ Dimensions in mm (not to scale)

● Side-adjust EVND2A



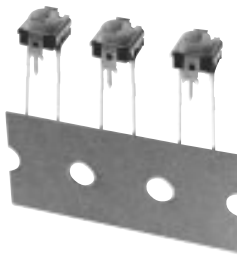
● Top-adjust EVND8A

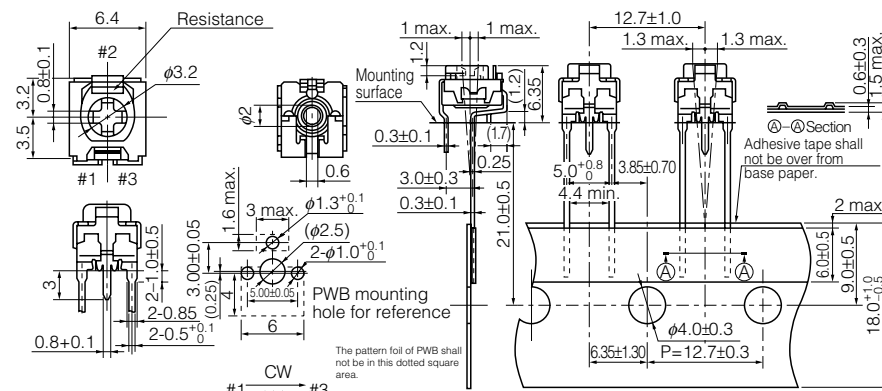


Radial Taping Products

● Top-adjust.....EVNDJA

No. 3





Resistance

Mounting surface

PWB mounting hole for reference

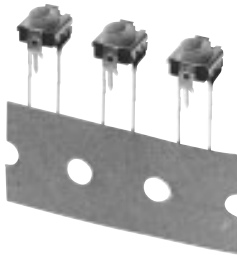
The pattern foil of PWB shall not be in this dotted square area.

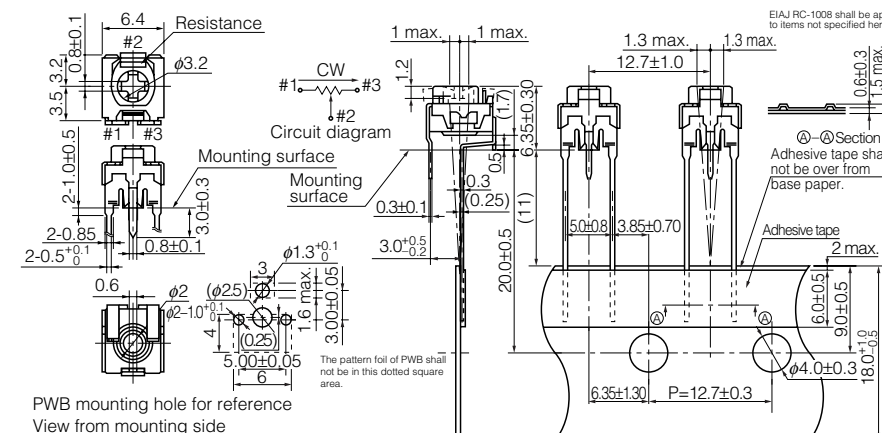
Circuit diagram

Knob color Orange yellow

● Top-adjust.....EVNDXA

No. 4





Resistance

Mounting surface

PWB mounting hole for reference
View from mounting side

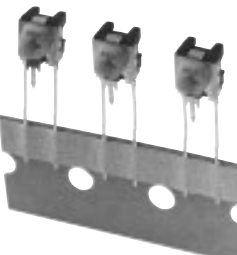
The pattern foil of PWB shall not be in this dotted square area.

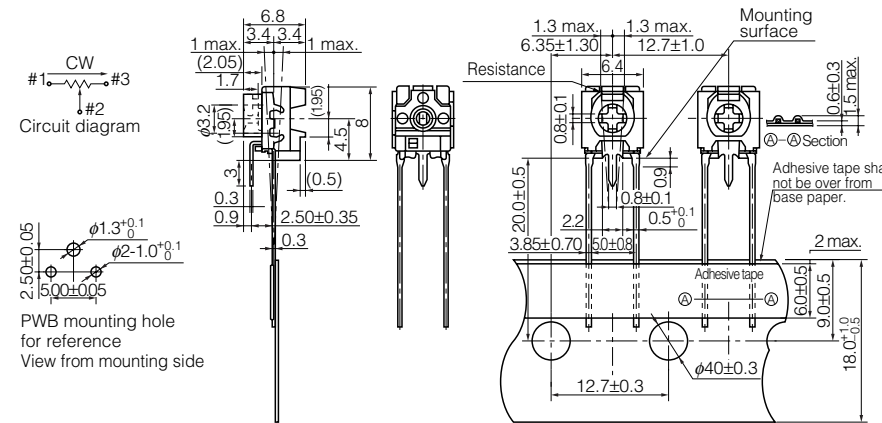
Circuit diagram

Knob color Orange yellow

● Side-adjust.....EVNDCA

No. 5





Resistance

Mounting surface

PWB mounting hole for reference
View from mounting side

The pattern foil of PWB shall not be in this dotted square area.

Circuit diagram

Knob color Orange yellow

Design and specifications are each subject to change without notice. Ask factory for the current technical specifications before purchase and/or use. Should a safety concern arise regarding this product, please be sure to contact us immediately.