



AS85049/88, AS85049/89, and AS85049/90 Banding Backshells

**Glenair Connector
Designator H**

**MIL-DTL-38999
Series III & IV,
EN3645**

M85049/88-17 P 02

Basic Part No.: _____
 M85049/88 = Straight
 M85049/89 = 45°
 M85049/90 = 90°

Entry Size _____
 Finish and Material _____

Shell Size _____

Self Locking Coupling

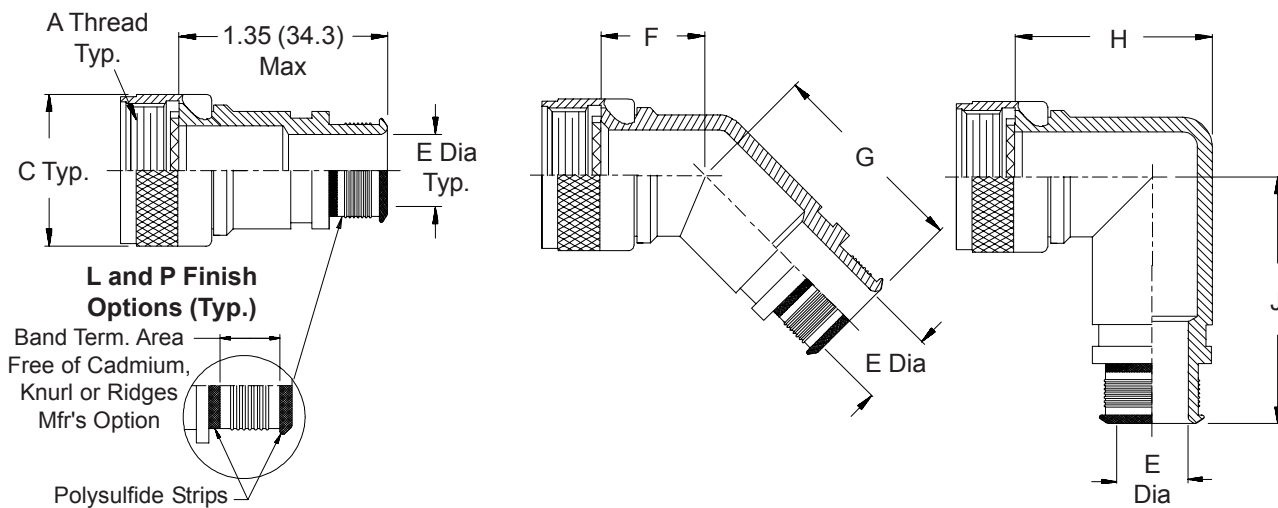


TABLE I

Shell Size	A Thread Class 2B	C Dia Max	E Dia Cable Entry				F Max	G Max	H Max	J Max
			Size 02		Size 03					
			±.010	(.3)	±.010	(.3)				
9	M12 X 1 - 6H	.86 (21.8)	N/A	.250 (6.4)	1.01 (25.7)	1.16 (29.5)	1.375 (34.9)	1.417 (36.0)		
11	M15 X 1 - 6H	.99 (25.1)	N/A	.312 (7.9)	1.03 (26.2)	1.19 (30.2)	1.437 (36.5)	1.480 (37.6)		
13	M18 X 1 - 6H	1.16 (29.5)	.312 (7.9)	.438 (11.1)	1.06 (26.9)	1.21 (30.7)	1.562 (39.7)	1.553 (39.4)		
15	M22 X 1 - 6H	1.28 (32.5)	.438 (11.1)	.562 (14.3)	1.08 (27.4)	1.24 (31.5)	1.687 (42.8)	1.614 (41.0)		
17	M25 X 1 - 6H	1.41 (35.8)	.500 (12.7)	.625 (15.9)	1.11 (28.2)	1.26 (32.0)	1.750 (44.5)	1.678 (42.6)		
19	M28 X 1 - 6H	1.52 (38.6)	.625 (15.9)	.750 (19.1)	1.12 (28.4)	1.27 (32.3)	1.875 (47.6)	1.733 (44.0)		
21	M31 X 1 - 6H	1.64 (41.7)	.625 (15.9)	.812 (20.6)	1.15 (29.2)	1.30 (33.0)	1.938 (49.2)	1.796 (45.6)		
23	M34 X 1 - 6H	1.77 (45.0)	.688 (17.5)	.938 (23.8)	1.17 (29.7)	1.33 (33.8)	2.062 (52.4)	1.859 (47.2)		
25	M37 X 1 - 6H	1.89 (48.0)	.750 (19.1)	1.000 (25.4)	1.20 (30.5)	1.35 (34.3)	2.125 (54.0)	1.919 (48.7)		

1. For complete dimensions see applicable Military Specification.

2. Metric dimensions (mm) are indicated in parentheses.

TABLE II

Finish Option	Finish Option	Finish
Aluminum Material	Composite Material	
G	Not Available	Electroless Nickel (Space Grade)
N	M	Electroless Nickel
P	L	Cadmium Olive Drab Over Electroless Nickel with Polysulfide Sealant Strips
W	J	1,000 Hour Cadmium Olive Drab Over Electroless Nickel