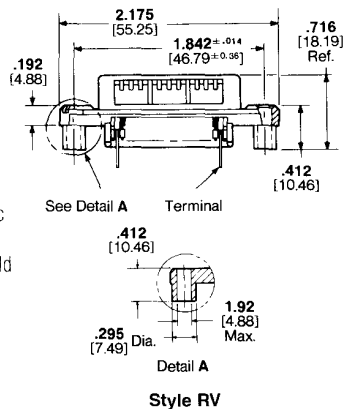


**CHAMP IDC Connectors for Special Applications,
Interface Bus PCB Connector Applications**

**Vertical Mount Receptacle
(24-Position)
Part Number 552224-1**

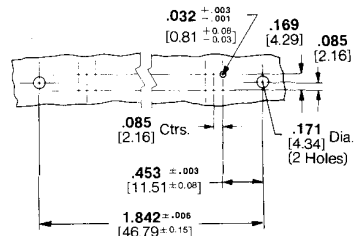


Material and Finish

Housing — Polyester thermoplastic (black)

Terminals — Selectively plated gold over nickel plated on high strength copper alloy, tin plated tails

**Recommended Printed Circuit Board Mounting Dimensions
(24-Position Only)**

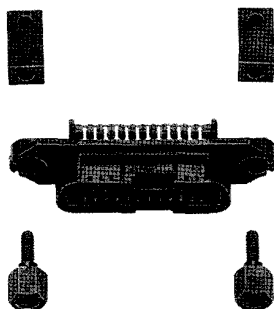


Note:
PC Board Thickness—
.125 [3.18] maximum

Miniature Ribbon Connector Systems
CHAMP .085 Centerline



Edge Mount Screw Lock Hardware Kits (one kit required per assembly)

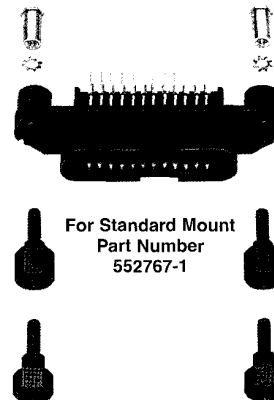


**Mounting Bracket
Part Number 552656-1**

**Metric Standoff Stud
Part Number 552634-3**

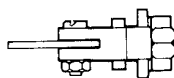
Note: 4.40 x 3/8 [9.53] screws and nuts for mounting brackets are customer supplied items.

**Vertical Mount Screw Lock Hardware Kits (one kit required per assembly)
Order all hardware separately**



**For Standard Mount
Part Number
552767-1**

Standard Mount



Standard Mount

