

## D38999/32 and D38999/33 Protective Covers

MIL-DTL-38999  
Series III  
Threaded

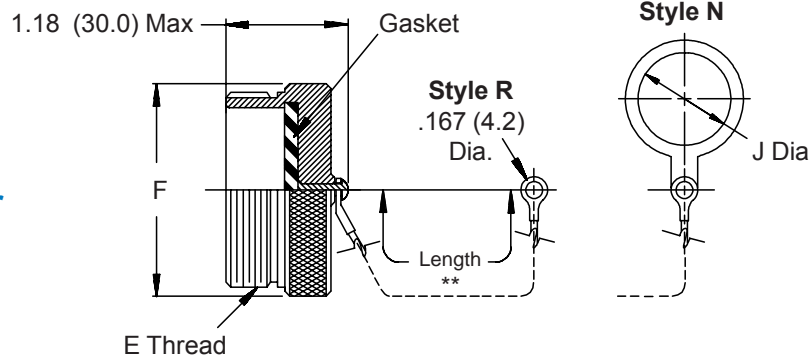
D38999/32 W 15 R

Basic Part No. \_\_\_\_\_  
 D38999/32 = Plug Cover  
 D38999/33 = Receptacle Cover

Attachment Style (R or N)  
 Shell Size

Material and Finish \_\_\_\_\_  
 W = Aluminum, 500 Hour Cadmium Olive Drab  
 J = Composite, Cadmium Olive Drab  
 M = Composite, Electroless Nickel

D38999/32  
Plug Cover



\*\* Rope Length  
 5.000 (127.0)  
 +.50 (+13.0)  
 -.25 (-7.0)

D38999/33  
Receptacle Cover

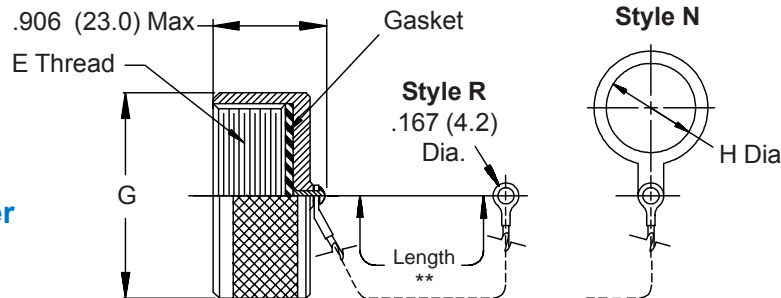


TABLE I

Shell Size	E Thread	F Max	G Max	H Min	J Min
9	.6250-0.1P-0.3L-TS	.906 (23.0)	.906 (23.0)	.694 (17.6)	.512 (13.0)
11	.7500-0.1P-0.3L-TS	1.024 (26.0)	1.102 (28.0)	.865 (22.0)	.709 (18.0)
13	.8750-0.1P-0.3L-TS	1.220 (31.0)	1.220 (31.0)	.989 (25.1)	.787 (20.0)
15	1.0000-0.1P-0.3L-TS	1.300 (33.0)	1.260 (32.0)	1.178 (29.9)	.906 (23.0)
17	1.1875-0.1P-0.3L-TS	1.457 (37.0)	1.457 (37.0)	1.260 (32.0)	1.024 (26.0)
19	1.2500-0.1P-0.3L-TS	1.575 (40.0)	1.535 (39.0)	1.428 (36.3)	1.142 (29.0)
21	1.3750-0.1P-0.3L-TS	1.732 (44.0)	1.654 (42.0)	1.506 (38.3)	1.260 (32.0)
23	1.5000-0.1P-0.3L-TS	1.811 (46.0)	1.772 (45.0)	1.678 (42.6)	1.339 (34.0)
25	1.6250-0.1P-0.3L-TS	1.969 (50.0)	1.929 (49.0)	1.750 (44.5)	1.535 (39.0)

- For complete dimensions see applicable Military Specification.
- Metric dimensions (mm) are indicated in parentheses.