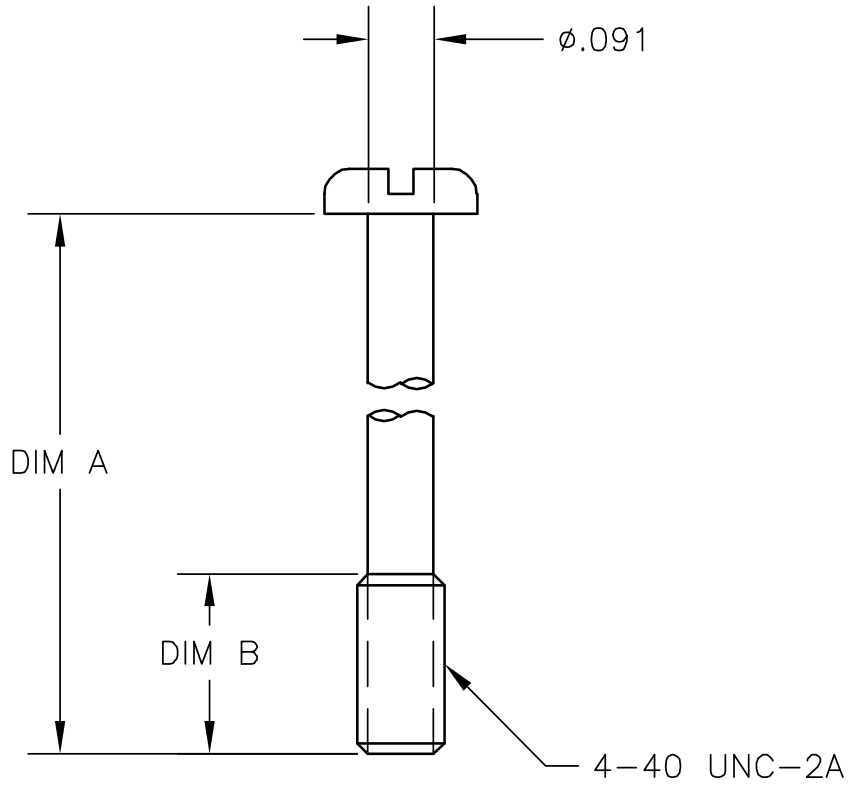


LOC	DIST	REVISIONS					
GP	00	P	LTR	DESCRIPTION	DATE	DWN	APVD
		0		REL. AS PER EC 0S13-0288-05	10AUG05	BL	JG

1. MATERIAL: ZINC PLATED STEEL.
2. ALL DIMENSIONS SHOWN ARE FOR REFERENCE ONLY UNLESS OTHERWISE SPECIFIED.



.100	.265	5229996-4
.100	.350	5229996-3
.100	.425	5229996-2
DIM B	DIM A	PART NO

THIS DRAWING IS UNPUBLISHED. ALL RIGHTS RESERVED. BY TYCO ELECTRONICS CORPORATION.

DIMENSIONS: INCHES		DWN B. LATTUCA 10AUG05	MATERIAL	FINISH	
TOLERANCES UNLESS OTHERWISE SPECIFIED:		CHK J. GERACE 10AUG05	Tyco Electronics Corporation Harrisburg, Pa 17105-3608	-	
0 PLC ± -		APVD M. WALMSLEY 10AUG05		NAME SCREW, PAN HD, CAPTIVE	
1 PLC ± -		PRODUCT SPEC	SIZE	CAGE CODE	DRAWING NO
2 PLC ± -		APPLICATION SPEC	A4	00779	G-5229996
3 PLC ± .005		WEIGHT	RESTRICTED TO		-
4 PLC ± -			SCALE		4:1
ANGLES ± -			SHEET		1 OF 1
		CUSTOMER DRAWING		REV 0	