

Receptacle Housings

Technical Features

No. of Positions:

81 Positions Assembly

Housing Material:

PA 66 GF

Wire Size Range:

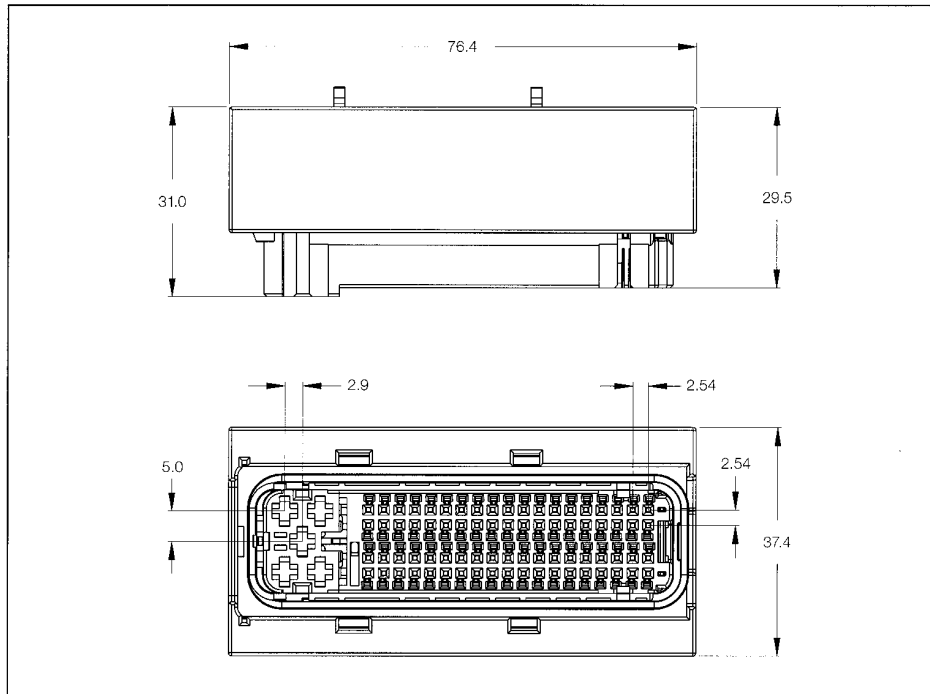
- 0.2–0.75 mm²
Micro Quadlok
- 0.5–2.5 mm²
Junior Power Timer

Product Specification:

108-5793

Application Specification:

114-18021 / 18050



81 Position Receptacle Housing

No. of Pos.	Keying Options	Housing Color	Part Numbers							
			Receptacle Housing	Cover	Locking Device	Cover and Lever (Type A)	Retainer Housing	Mating Tab Housing	Mating PCB Header Right-Angle	Mating PCB Header Vertical
81	-	Black	1473244-1	-	-	1473247-1 (Type A)	368382-1	-	1241434-1	-
						1473250-1 (Type B)				