

Power and Guide Hardware

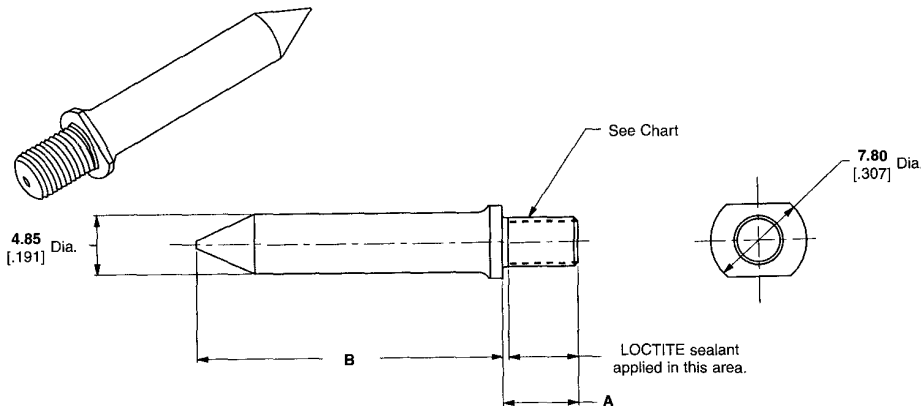
(Continued)

Guide Pin (Unkeyed)

Material and Finish

Guide Pin — Passivated stainless steel

Part Number 223956-1



Dimension		Thread	Part Numbers
A	B		
7.50 [.295]	24.73 [.974]	M4 x 7-6g	223982-1 1, 2
9.20 [.362]	25.16 [.991]	M4 x 7-6g	223969-7 2
12.70 [.500]	25.16 [.991]	8-32 UNC-2A	223969-4 2
12.70 [.500]	25.16 [.991]	M4 x 7-6g	223969-1 2
6.20 [.244]	25.16 [.991]	M4 x 7-6g	223956-1 2
12.70 [.500]	31.25 [1.230]	8-32 UNC-2A	1-223969-0 2
3.80 ³ [.150]	27.16 [1.069]	M4 x 7-6h	120646-1 2
2.00 ³ [.079]	27.16 [1.069]	M3 x 0.5	223988-1 2

- ¹ 6.35 Hex Base.
- ² RoHS Compliant.
- ³ Internal Thread.

Female Guide Module (Unkeyed)

Material and Finish

Guide Module — Zinc alloy, chromate conversion coated

Related Product Data

Application Tooling —

Seating Tool, 224440-1.
Board Support Fixture, 217603-1.

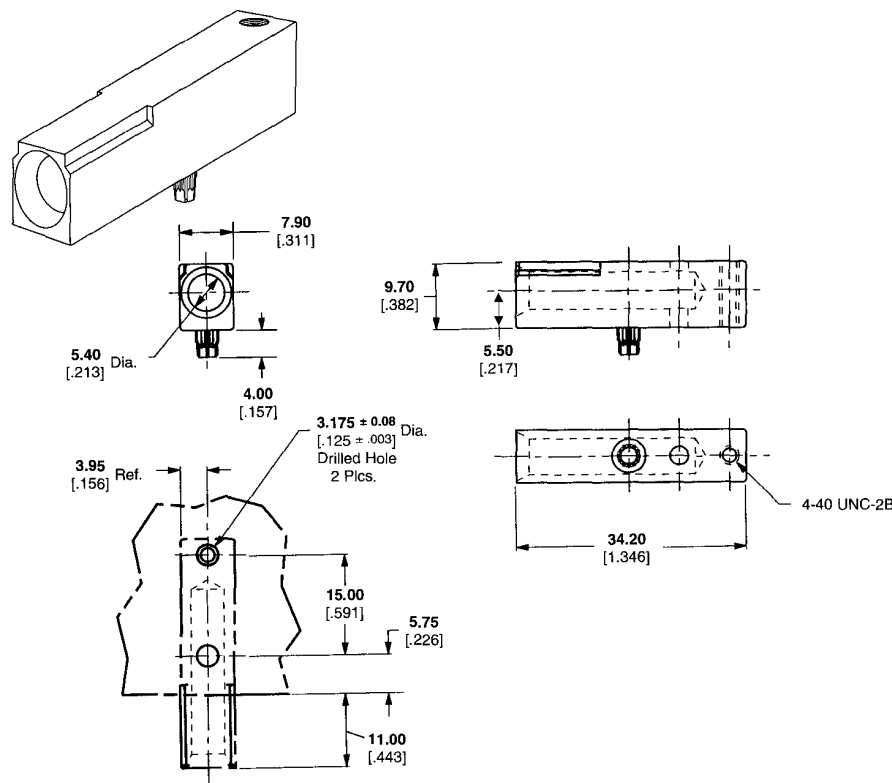
Technical Documents

Product Specification
108-1651

Application Specification
114-1103

Part Number 223957-1
(as shown)

Part Number 223979-1
(dual alignment posts)



Recommended PC Board Hole Layout

1
Z-PACK HM-Zd Connector