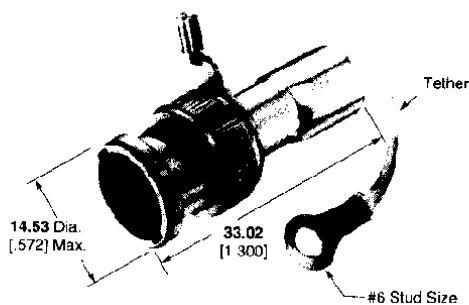


BNC Connectors, 50 Ohm (Continued)

**Terminator Plugs
50, 75, 93 Ohm**

Plating

Body — Nickel
Center Contact — Gold
Dielectric — Polyethylene



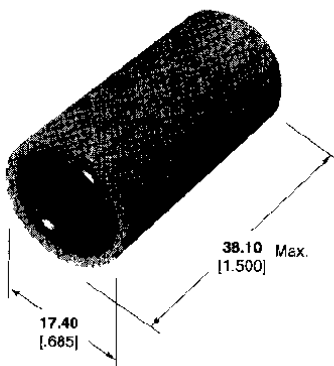
Resistor Specification	Part No.	
	With Tether	Without Tether
1 Watt, 50 Ohm	221629-1	221629-4
1 Watt, 75 Ohm	221629-2	221629-5
1 Watt, 93 Ohm	221629-3	221629-6
0.5 Watt, 75 Ohm	1-221629-1 ²	—
1 Watt, 50 Ohm	1-221629-6 ²	—

¹ Tether is conductive with #4 stud size
² With chain assembly

Insulated Terminators

Insulation Material
Polyphenylene oxide

Long Cover



Short Cover*

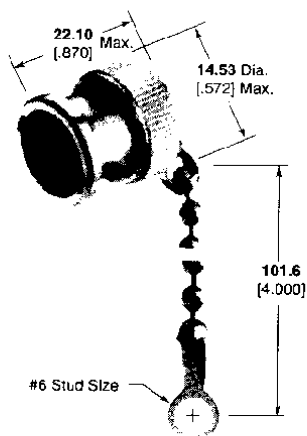


Resistor Specification	Color	Cover Style	Part No.
1 Watt, 50 Ohm	Gray	Long	413557-1
		Short	413364-2
	Black	Long	413557-2
		Short	413364-1

* The Short Cover is required when mating the Terminator with a Tee Adapter.

Jack Covers

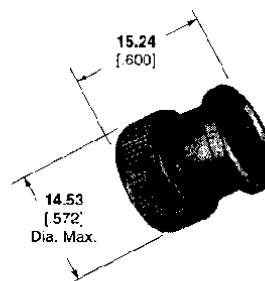
Body Plating	Part No.
Silver	330022
Nickel	1-330022-2



Shorting Caps

Plating

Body — Nickel
Center Contact — Gold



Part No. 413453-1