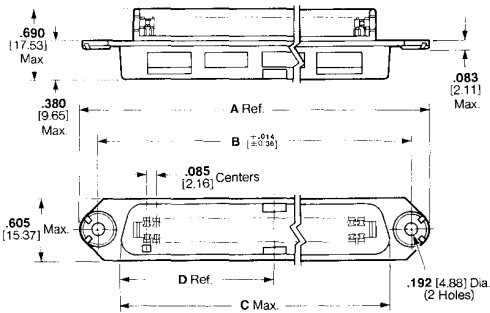


**Panel Mount Accessories**

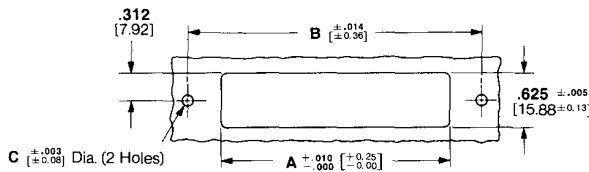
**Style RP—Receptacle, Panel Mount, Screw or Bail Lock (Thin Flange)**

Note: See page 90 for Style RP part numbers.



No. of Positions	Dimensions			
	A	B	C	D
14	1.750 44.45	1.416 35.97	1.000 25.40	.401 10.19
24	2.175 55.25	1.842 46.79	1.425 36.20	.825 20.96
36	2.685 68.20	2.352 59.74	1.935 49.15	.854 21.69
50	3.280 83.31	2.946 74.83	2.530 64.26	1.461 37.11
64	3.875 98.43	3.542 89.97	3.125 79.38	1.562 39.67

**Panel Cutout Dimensions**

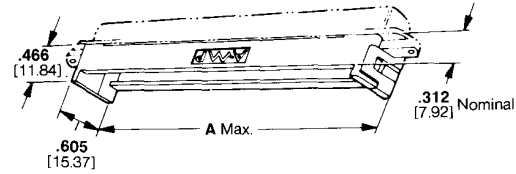


Note: Panel thickness range—.062-.125 [1.57-3.18] for front panel mount—Panel range .062-.093 [1.57-2.36] for rear panel mount with metric hardware per IEEE-488 and .062 [1.57] max. with standard hardware.

No. of Positions	Dimensions			Rear Panel Mount <sup>1</sup>		
	A	B	C	A	B	C
14	1.063 27.00	1.416 35.97	.126 3.20	1.151 29.24	1.416 35.97	.149 3.78
24	1.488 37.80	1.842 46.79	.126 3.20	1.575 40.01	1.842 46.79	.149 <sup>2</sup> 3.78
36	1.998 50.75	2.352 59.74	.126 3.20	2.085 52.96	2.352 59.74	.149 3.78
50	2.593 65.86	2.946 74.83	.126 3.20	2.700 68.58	2.946 74.83	.149 3.78
64	3.188 80.98	3.542 89.97	.126 3.20	3.275 83.19	3.542 89.97	.149 3.78

<sup>1</sup> For screw lock hardware version only.  
<sup>2</sup> .192 [4.88] for IEEE-488 metric applications.

**Snap-On Strain Relief**

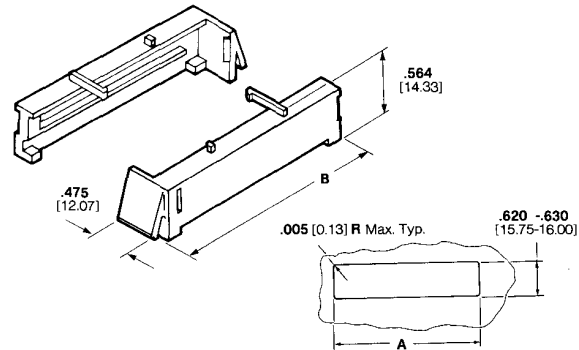


Note: Two required per connector assembly.

No. of Positions	Dimensions A	Low Profile Part Number
24	1.467 37.26	1-552298-1
36	1.977 50.22	1-552297-1
50	2.572 65.33	1-552027-1
64	3.167 80.44	1-552296-1

**Snap-In Panel Mount Strain Relief**

No additional panel mounting hardware required.



Note: Two required per assembly.

No. of Positions	Dimensions		Panel Thickness	Color	Part Number
	A	B			
50	2.695-2.700 68.45-68.58	2.514 63.86	.090 2.29	Black	552962-3

Notes: 1. For use with thin flange connectors only.  
2. Recommended for use with CHAMP-LOK Connector Assembly Hardware. No panel mounting hardware necessary when utilized.  
3. Strain Relief recommended for installation of Panel Mount Connectors to prevent inadvertent contact or conductor damage.

CHAMP .085 Centerline  
Miniature Ribbon Connector Systems

