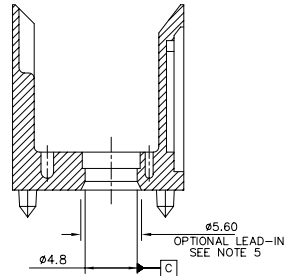
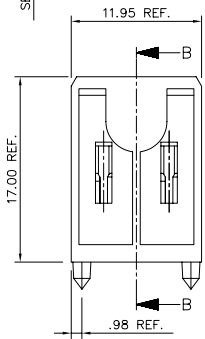
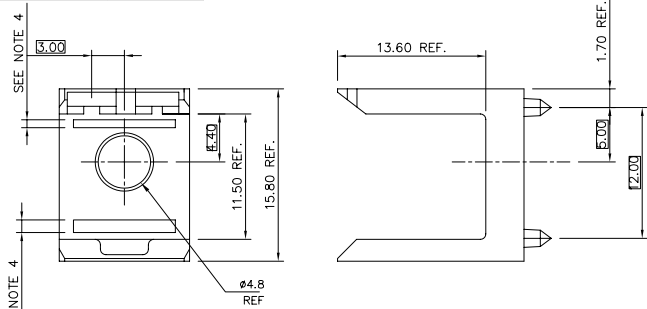
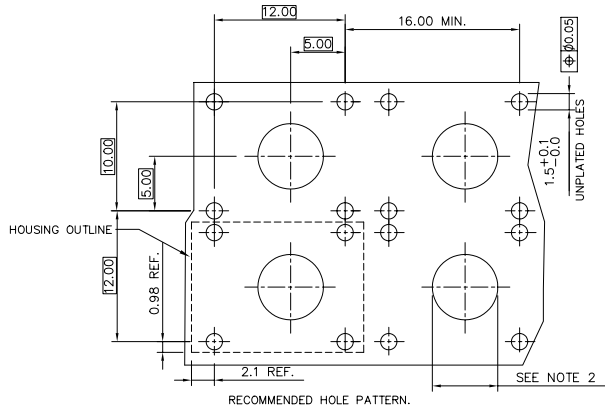


PRODUCT NUMBER	NOTES
88911-101	NOTE 6
88911-201	NOTE 3 & 6
88911-301	NOTE 5 & 6



SECTION B-B

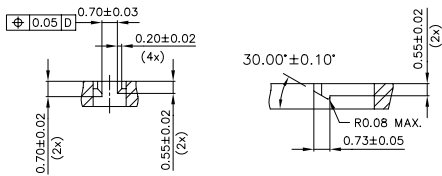
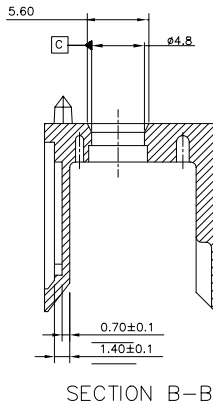
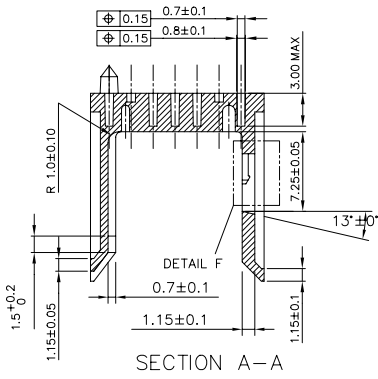


- NOTES:
- MATERIAL-LIQUID CRYSTAL POLYMER 30% GLASS FLAME RETARDANT ACC. UL 94-V0 COLOR NATURAL
  - WHEN USED WITH GUIDE PIN, HOLE DIAMETER TO BE 3.25±0.10 AND UNPLATED.  
-WHEN USED WITH STR. SCREW-TO-BOARD HIGH POWER INSERT, HOLE DIAMETER TO BE 3.25±0.10 AND PLATED WITH 5.00 MIN. PAD DIAMETER.  
-WHEN USED WITH A PLUG/PLUG HIGH POWER COUPLER OR A RECEPTACLE/RECEPTACLE COAX COUPLER, HOLE DIAMETER TO BE 6.00±0.10/-0.00 AND UNPLATED.
  - TO BE USED WITH PRESS-FIT COAX SOCKETS.
  - CORING OPTIONAL AT DISCRETION OF MANUFACTURER.
  - P/N 88911-301 HAS 5.60 DIAMETER LEAD-IN CHAMFER ALL OTHER DIMENSIONS ARE THE SAME.
  - ADD "LF" SUFFIX AT THE END OF PART NUMBER FOR LEAD FREE OPTION.

- THIS PRODUCT MEETS EUROPEAN UNION DIRECTIVES AND OTHER COUNTRY REGULATION AS DESCRIBED IN GS-22-008.
- THE HOUSING WILL WITHSTAND EXPOSURE TO 260°C PEAK TEMPERATURE FOR 15 SECONDS IN A WAVE SOLDER APPLICATION WITH A 1.5mm MINIMUM THICK CIRCUIT BOARD OR FOR 10-20 SECONDS IN A CONVECTION, INFRA-RED OR VAPOR PHASE REFLOW OVEN. SEE APPLICATION NOTES/PROCEDURES IF THEY ARE AVAILABLE

mat'l. code SEE NOTE 1	surface ISO 1302	tolerance ISO 406 ISO 1101	projection mm	product family METRAL (tm)
ltr ecn no dr date	tolerances unless otherwise specified	angles linear	scale 1:1	title HYBRID HEADER HOUSING-12MM
E v70809 MDF 5/14/97		xx 4.01/3		dwg no 88911 sheet 1 of 2 size A3
F v80738 MDF 4/16/98		xxx ±.005/13		type Product Customer Drawing
G v01977 JRW 8/11/00	σ±2	xxxx ±.0020/.050		
H v11651 LSS 6/05/01	dr	STU STONER 3/24/92		
J v03-1116 LP 10/13/03	enrg	R. DOUTRICH 3/24/92		
K M05-0224 MHT 10/25/05	chr	STU STONER 3/24/92		
L M06-0286 MNR 7/27/06	appd	STU STONER 3/24/92		
sheet index	revision sheet	L L 1 2		

PRODUCT NO  
88911-301



mat'l. code	surface	tolerance	projection	product family
-	ISO 1302	ISO 406		METRAL (tm)
ISO 1101	tolerances unless otherwise specified		MM	title
l	ec	n	dr	date
L				
angles	linear	xx 4.01/3	scale 1:1	HYBRID HEADER HOUSING-12MM
σz		xxx ±.005/13		dwg no
dr	STU STONER	3/24/92		88911
enrg	R. DOUTRICH	3/24/92		sheet 2 of 2
chr	STU STONER	3/24/92		A3
appd	STU STONER	3/24/92		size
sheet	revision			type
index	sheet			Product Customer Drawing

PDM: Rev:L STATUS:Released Printed: Feb 06, 2010