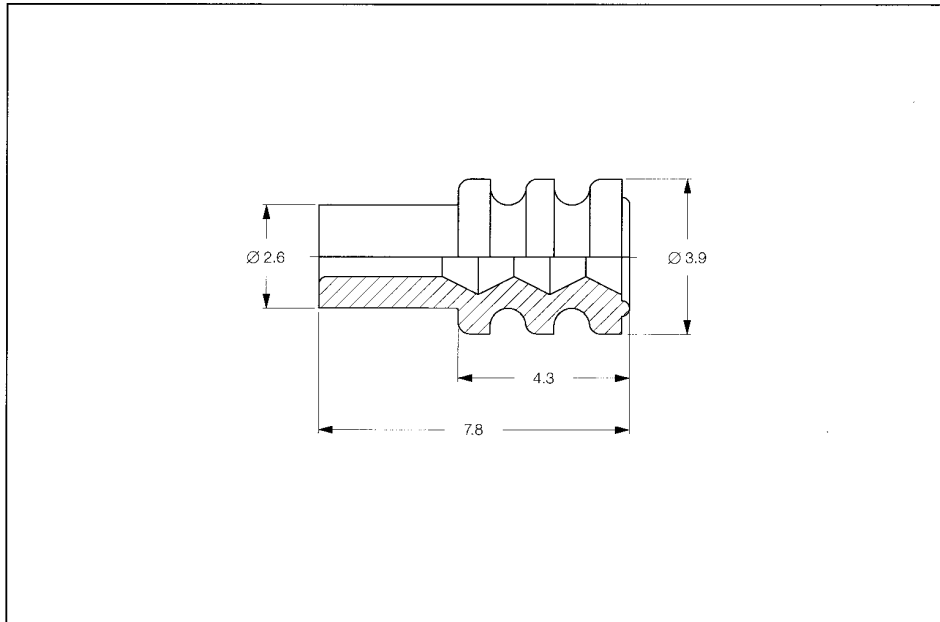


Single Wire Seals and Cavity Plugs

**Single Wire Seals
and Cavity Plugs
for AMP MCP 1.5K
Contact System
(Cavity Diameter 3.6 mm)**



| Insulation Diameter (mm) | Color | Part Number | Package Quantity |
|--------------------------|--------|-------------|------------------|
| 0.9-1.2 | Green | 1718705-1 | 10,000 |
| 1.2-1.6 | Red | 964971-1 | 10,000 |
| 1.4-1.9 | Grey | 963530-1 | 10,000 |
| 1.9-2.3 | Yellow | 964972-1 | 10,000 |
| Cavity Plug | White | 963531-1 | 10,000 |

