



AS85049/36 EMI/RFI Non-Environmental Backshell

Glenair Connector Designator F

MIL-DTL-38999 Series I & II,
40M38277, PAN 6433-1, PATT
614, PATT 616,
NFC93422 Series HE308 &
HE309

M85049/36 10 N 03 A

Basic Part No. _____
Shell Size _____
Finish _____
N = Electroless Nickel
W = 1,000 Hr. Cadmium Olive Drab
Over Electroless Nickel

Length Code (Omit for Standard)
Clamp Size

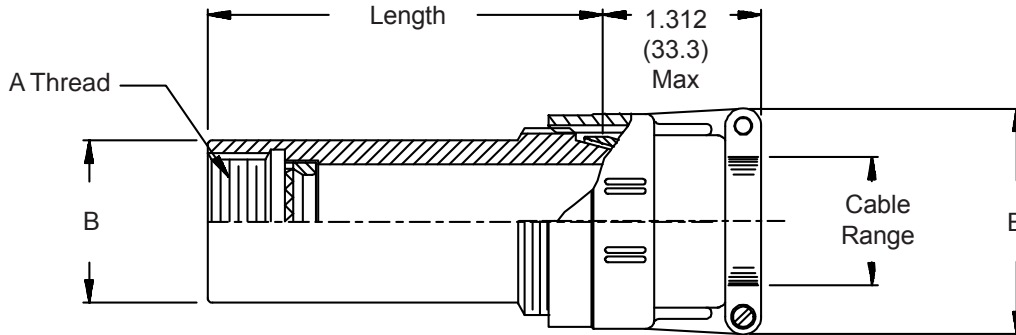


TABLE I

Shell Size	Shell Size		Clamp Size		A Thread Class 2B	B Dia Max
	Series I Ref.	Series I Ref.	(Table IV) Min	(Table IV) Max		
08	09	01	02	.438 - 28 UNEF	.65 (16.5)	
10	11	01	03	.562 - 24 UNEF	.77 (19.6)	
12	13	02	04	.688 - 24 UNEF	.89 (22.6)	
14	15	02	05	.813 - 20 UNEF	1.02 (25.9)	
16	17	02	06	.938 - 20 UNEF	1.15 (29.2)	
18	19	03	07	1.063 - 18 UNEF	1.23 (31.2)	
20	21	03	08	1.188 - 18 UNEF	1.36 (34.5)	
22	23	03	09	1.313 - 18 UNEF	1.48 (37.6)	
24	25	04	10	1.438 - 18 UNEF	1.73 (43.9)	

TABLE II

Clamp Size	Cable Range				E Max
	Min	Max	Min	Max	
01	.062 (1.6)	.125 (3.2)	.781 (19.8)		
02	.125 (3.2)	.250 (6.4)	.969 (24.6)		
03	.250 (6.4)	.375 (9.5)	1.062 (27.0)		
04	.312 (7.9)	.500 (12.7)	1.156 (29.4)		
05	.437 (11.1)	.625 (15.9)	1.250 (31.8)		
06	.562 (14.3)	.750 (19.1)	1.375 (34.9)		
07	.687 (17.4)	.875 (22.2)	1.500 (38.1)		
08	.812 (20.6)	1.000 (25.4)	1.625 (41.3)		
09	.937 (23.8)	1.125 (28.6)	1.750 (44.5)		
10	1.062 (27.0)	1.250 (31.8)	1.875 (47.6)		

TABLE III

Length Code	Available Shell Sizes	Length
Std.	08 - 24	1.50 (38.1)
A	08 - 24	2.50 (63.5)
B	14 - 24	3.50 (88.9)
C	20 - 24	4.50 (114.3)

- For complete dimensions see applicable Military Specification.
- Metric dimensions (mm) are indicated in parentheses.
- Cable range is defined as the accommodation range for the wire bundle or cable. Dimensions shown are not intended for inspection criteria.