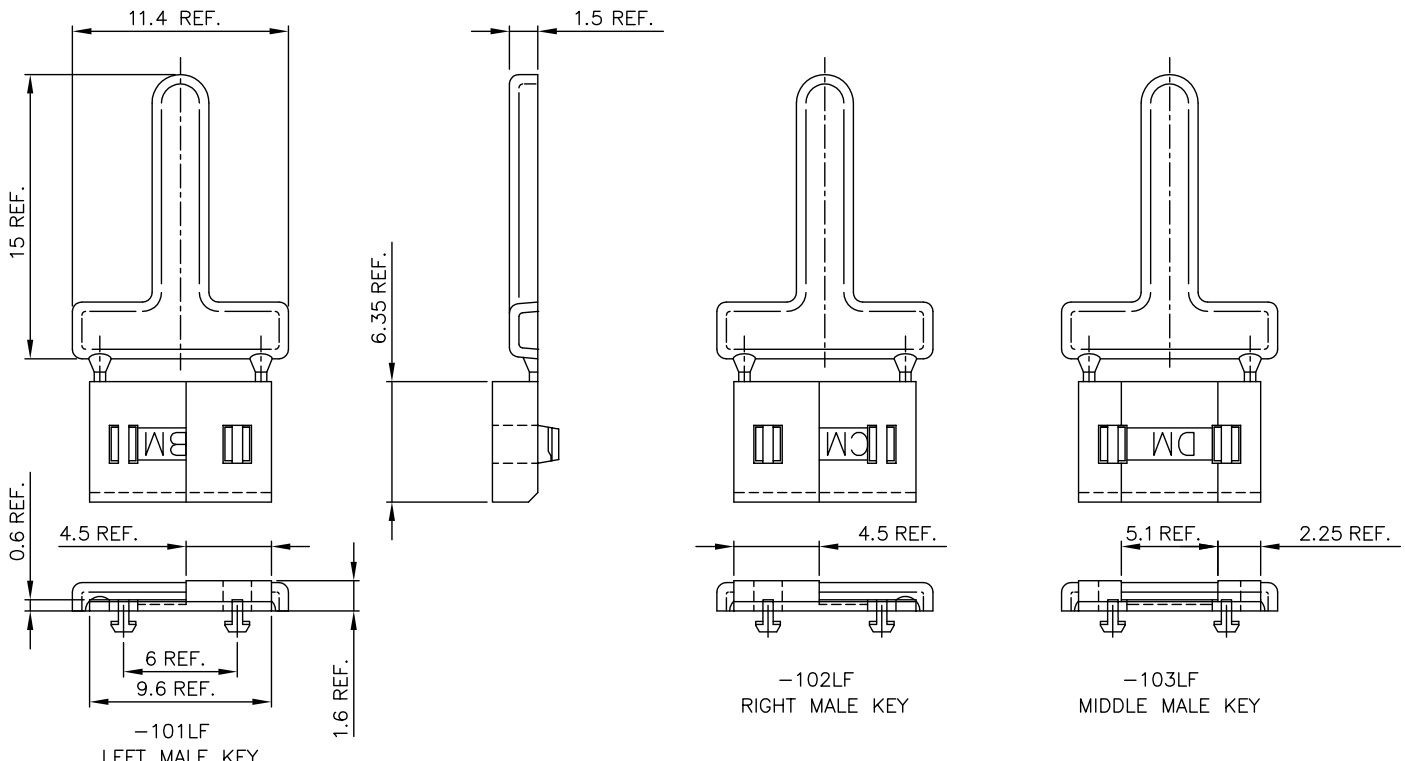


Tous droits réservés. Reproduction ou communication sans autorisation écrite de FCI est formellement interdite. Toute réimpression ou utilisation non autorisée sans la permission écrite de la FCI est formellement interdite.

All rights reserved. Reproduction or communication without written authority from FCI is prohibited.

PRODUCT NUMBER 91289-10XLF



NOTES:

- MATERIAL: LIQUID CRYSTAL POLYMER. FLAME RETARDANT ACC. UL 94-V0 30% GLASS FILLED, COLOR: SEE TABLE.
- PRODUCT TO BE DELIVERED TO THE CUSTOMER WITH THE RUNNER ATTACHED
- THIS PRODUCT WITH "LF" SUFFIX MEETS EUROPEAN UNION DIRECTIVES AND OTHER COUNTRY REGULATIONS AS DESCRIBED IN GS -22-008.
- THE PRODUCT IS NOT INTENDED TO BE EXPOSED TO A MANUFACTURING SOLDER PROCESS.

PRODUCT NUMBER	COLOR
91289-101LF	BLUE
91289-102LF	PINK
91289-103LF	BROWN

mat'l. code SEE NOTE 1		tolerances unless otherwise specified		CUSTOMER COPY		ELECTRONICS www.fciconnect.com	
ltr	ecn no	dr	date	linear	projection	title	
A	V41309	RDO	940729			MALE HALF KEYS	
B	H40388	RV	940810			product family	NETRAL (tm)
C	H40583	DDB	940916	angles	mm	size	dwg no
D	pa05-0382	Clu	051011	dr		A3	91289
				eng	E. Fejen	940729	scale
				chr	G.S. Lee	940609	5:1
				app	G.S. Lee	940609	
sheet index	revision sheet	D	1				