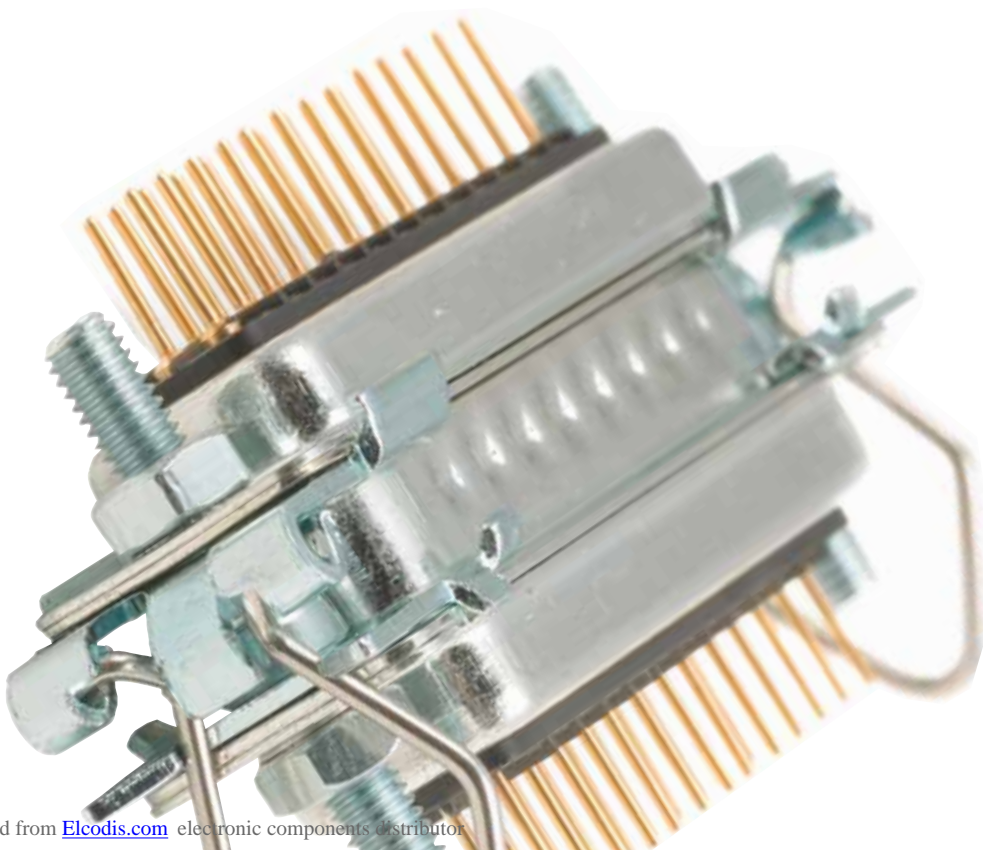


SECTION 10

D-SUB HOODS AND ACCESSORIES

The diversity of different applications and market requirements makes it necessary to offer a comprehensive line of hoods and backshells. The CONEC product line includes shielded hoods made of metal, plastic, Metallized plastic and plastic with metal inserts.

Connectors with high current or coaxial contacts require special hoods with adapted interiors. In these cases the height of the housing is particularly important to assure faultless seating of the contacts. The cable should exit from the hood or backshell without introducing any strain on the contacts.





A special developed hood with an IP67 rating is available to provide optimal water resistance for D-SUB Connectors.

The input/output connector product line is supplemented by a wide array of accessories.

The various caps, hardware and latches are available for use with these D-subminiature connectors, whether standard, high density, combination or filter designs are selected.

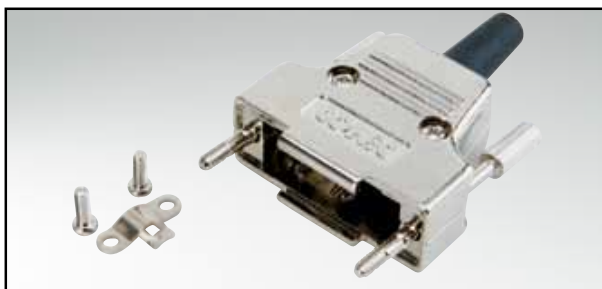
Various materials and designs in plastic, steel or stainless steel, as well as M3 or 4-40 UNC thread designs, are deliverable as standard or on request.

For special application please contact the factory.



D-SUB METAL HOOD

Straight cable entry – 9-50 pos.

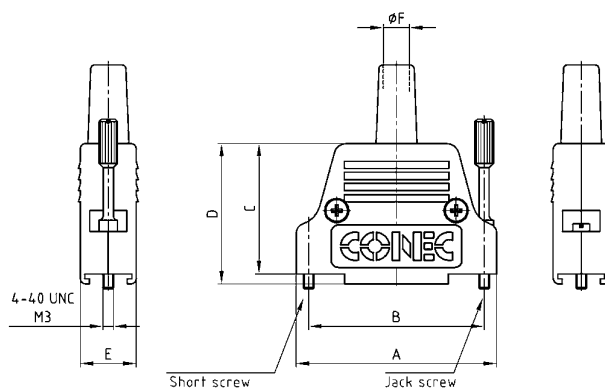


RoHS compliant – CSA listed, File No.: LR 115000-1 – UL listed, File No.: E202784

DESCRIPTION

- Zinc die-cast hood, EMI/RFI shielding
- Cable sleeve
- Fastening:
 - short screws 4-40 UNC or M3 thread
 - jack screws 4-40 UNC or M3 thread
- Housing nickel plated
- Bulk or single packaged units

PRODUCT DRAWING



No. of pos.	A	B	C	D	E	Ø F
09	31.70	25.00	30.00	32.70	15.00	5.00
15	40.00	33.30	32.00	34.70	15.00	5.00
25	53.70	47.00	35.00	37.70	15.00	7.00
37	70.20	63.50	41.00	43.70	15.00	7.00
50	67.80	61.10	41.00	43.70	17.70	9.30

ORDER DATA

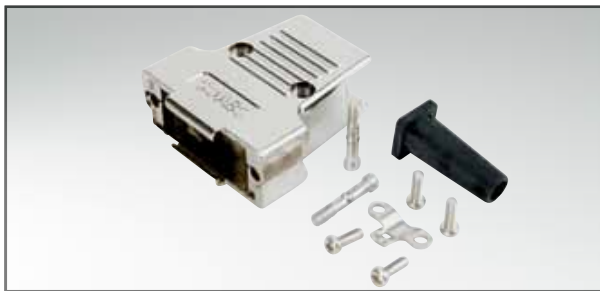
D-SUB METAL HOOD – SHORT SCREW		
No. of pos.	Design	Part Number
09	4-40 UNC Short screw	165 X 17409 X
15	4-40 UNC Short screw	165 X 17419 X
25	4-40 UNC Short screw	165 X 17429 X
37	4-40 UNC Short screw	165 X 17439 X
50	4-40 UNC Short screw	165 X 17449 X
09	M3 Short screw	165 X 17459 X
15	M3 Short screw	165 X 17469 X
25	M3 Short screw	165 X 17479 X
37	M3 Short screw	165 X 17489 X
50	M3 Short screw	165 X 17499 X

D-SUB METAL HOOD – JACK SCREW		
No. of pos.	Design	Part Number
09	4-40 UNC Jack screw	165 X 17309 X
15	4-40 UNC Jack screw	165 X 17319 X
25	4-40 UNC Jack screw	165 X 17329 X
37	4-40 UNC Jack screw	165 X 17339 X
50	4-40 UNC Jack screw	165 X 17349 X
09	M3 Jack screw	165 X 17359 X
15	M3 Jack screw	165 X 17369 X
25	M3 Jack screw	165 X 17379 X
37	M3 Jack screw	165 X 17389 X
50	M3 Jack screw	165 X 17399 X

For single packaged add the letter „E“ at the end of the part number.

D-SUB METAL HOOD

Side cable entry – 9-50 pos.

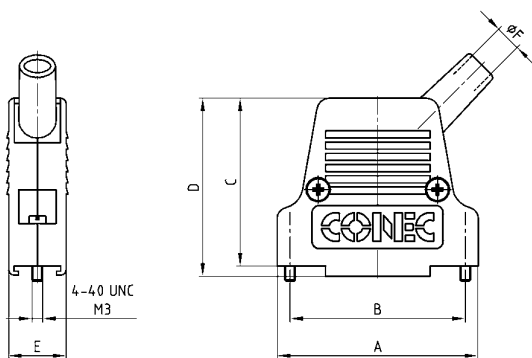


RoHS compliant – CSA listed, File No.: LR 115000-1 – UL listed, File No.: E202784

DESCRIPTION

- Zinc die-cast hood, EMI/RFI shielding
- Cable sleeve
- Fastening:
 - short screws 4-40 UNC or M3 thread
- Housing nickel plated
- Bulk or single packaged units

PRODUCT DRAWING



No. of pos.	A	B	C	D	E	Ø F
09	31.80	25.00	39.50	42.40	15.40	5.00
15	40.30	33.30	41.00	43.50	15.40	5.00
25	54.00	47.00	45.00	47.70	15.40	7.00
37	70.20	63.50	48.00	50.40	15.40	7.00
50	67.80	61.10	48.00	50.40	18.50	9.30

ORDER DATA

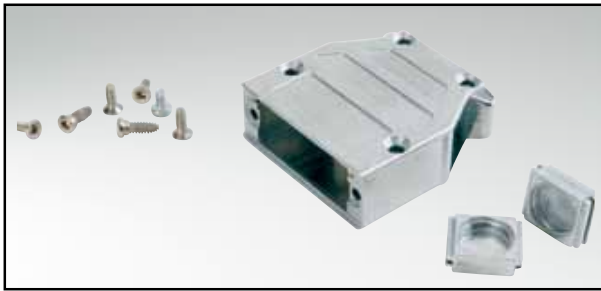
D-SUB METAL HOOD – SHORT SCREW		
No. of pos.	Design 4-40 UNC	Part Number
09	Short screw	165 X 17559 X
15	Short screw	165 X 17569 X
25	Short screw	165 X 17579 X
37	Short screw	165 X 17589 X
50	Short screw	165 X 17599 X

D-SUB METAL HOOD – SHORT SCREW		
No. of pos.	Design M3	Part Number
09	Short screw	165 X 17609 X
15	Short screw	165 X 17619 X
25	Short screw	165 X 17629 X
37	Short screw	165 X 17639 X
50	Short screw	165 X 17649 X

For single packaged add the letter „E” at the end of the part number.

D-SUB METAL HOOD

Variable cable entries – 9-50 pos. – Without jack screws



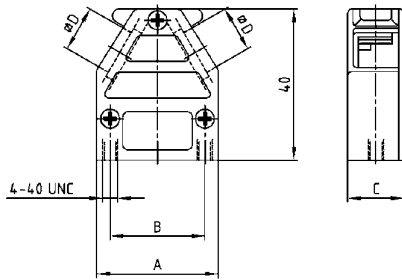
RoHS compliant – CSA listed, File No.: LR 115000-1 – UL listed, File No.: E202784

DESCRIPTION

- Zinc die-cast hood, EMI/RFI shielding
- Two designs:
 - Type 1: 1.575" / 40 mm height
 - Type 2: 2.165" / 55 mm height
- Delivery includes: Hood with covers, blanking plugs, screws for assembly
- Cable clamp must be ordered separately
- Crimp fitting and crimp tool please contact factory
- Bulk or single packaged units

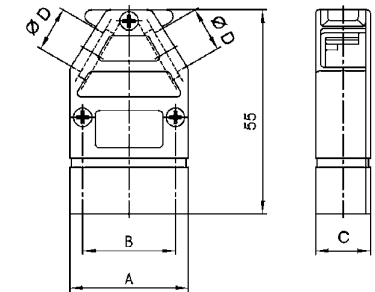
PRODUCT DRAWING

Type 1: Installation height 1.575" / 40 mm
9 pos.

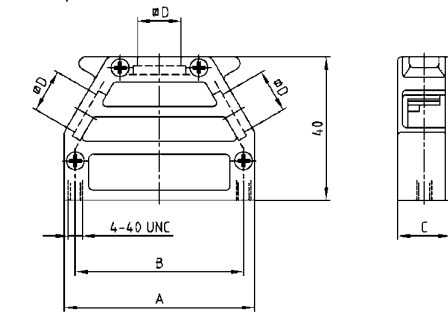


No. of pos.	A	B	C	Ø D
09	32.00	25.00	14.80	12.10
15	39.30	33.30	14.80	12.10
25	53.20	47.04	14.80	12.10
37	69.50	63.50	14.80	12.10
50	67.00	61.10	17.80	14.60

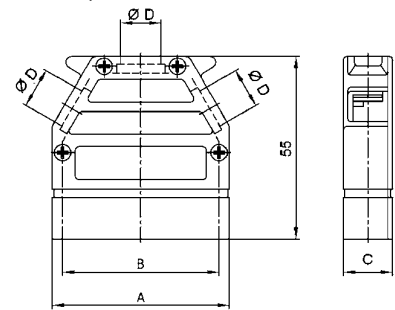
Type 2: Installation height 2.165" / 55 mm
9 pos.



15-50 pos.



15-50 pos.



ORDER DATA

D-SUB METAL HOOD – VARIABLE CABLE ENTRIES – TYPE 1		
No. of pos.	Design	Part Number
09	Housing / Two side cable entries	165 X 10819 X
15	Housing / Two side cable entries	165 X 10829 X
25	Housing / Three cable entries	165 X 10839 X
37	Housing / Three cable entries	165 X 10849 X
50	Housing / Three cable entries	165 X 10859 X
09-37	Cable clamp	160 X 11189 X
50	Cable clamp	160 X 11199 X

D-SUB METAL HOOD – VARIABLE CABLE ENTRIES – TYPE 2		
No. of pos.	Design	Part Number
09	Housing / Two side cable entries	165 X 11159 X
15	Housing / Two side cable entries	165 X 10869 X
25	Housing / Three cable entries	165 X 10879 X
37	Housing / Three cable entries	165 X 10889 X
50	Housing / Three cable entries	165 X 10899 X
09-37	Cable clamp	160 X 11189 X
50	Cable clamp	160 X 11199 X

For single packaged add the letter „E“ at the end of the part number.

D-SUB METAL HOOD

Variable cable entries – 9-50 pos. – Jack screws



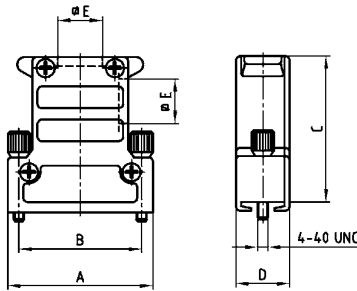
RoHS compliant – CSA listed, File No.: LR 115000-1 – UL listed, File No.: E202784

DESCRIPTION

- Zinc die-cast hood, EMI/RFI shielding
- Two designs:
 - Type 1: 1.575" / 40 mm height
 - Type 2: 2.165" / 55 mm height
- Delivery includes: Hood, blanking plugs, screws for assembly grounding screws, 4-40 UNC jack screws
- Cable clamp must be ordered separately
- Crimp fitting and crimp tool please contact factory
- Bulk or single packaged units
- M3 thread design for jack screws available on request

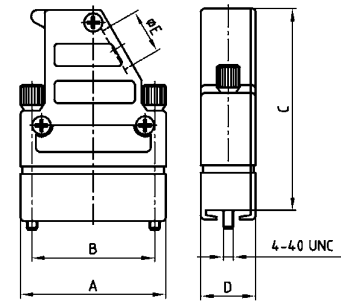
PRODUCT DRAWING

Type 1: max. installation height 42 mm
9-15 pos.

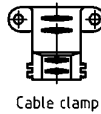
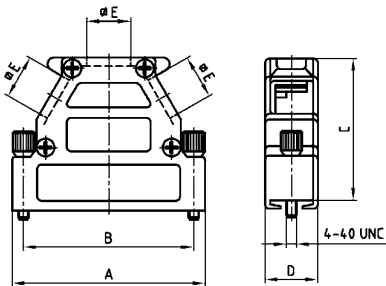


No. of pos.	A	B	Dim. C (Type 1)	Dim. C (Type 2)	D	Ø E
09	31.00	25.00	35.50	50.50	14.80	12.10
15	39.40	33.30	40.00	55.00	14.80	12.10
25	53.20	47.04	40.00	55.00	14.80	12.10
37	69.60	63.50	40.00	55.00	14.80	12.10
50	67.00	61.10	42.00	57.00	17.80	14.60

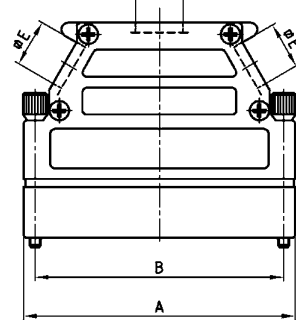
Type 2: max. installation height 57 mm
9-15 pos.



25-50 pos.



25-50 pos.



ORDER DATA

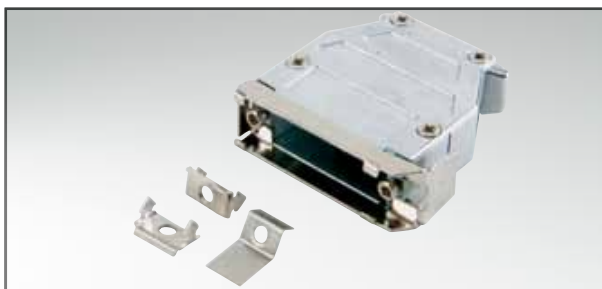
D-SUB METAL HOOD – VARIABLE CABLE ENTRIES – JACK SCREW – TYPE 1		
No. of pos.	Design	Part Number
09	Housing / One straight cable entry	165 X 11609 X
15	Housing / One straight / One side cable entry	165 X 11619 X
25	Housing / Three cable entries	165 X 11629 X
37	Housing / Three cable entries	165 X 11639 X
50	Housing / Three cable entries	165 X 11649 X
09-37	Cable clamp	160 X 11189 X
50	Cable clamp	160 X 11199 X

D-SUB METAL HOOD – VARIABLE CABLE ENTRIES – JACK SCREW – TYPE 2		
No. of pos.	Design	Part Number
09	Housing / One side cable entry	165 X 14409 X
15	Housing / One side cable entry	165 X 14419 X
25	Housing / Three cable entries	165 X 14429 X
37	Housing / Three cable entries	165 X 14439 X
50	Housing / Three cable entries	165 X 14449 X
09-37	Cable clamp	160 X 11189 X
50	Cable clamp	160 X 11199 X

For single packaged add the letter „E“ at the end of the part number.

D-SUB METAL HOOD

Variable cable entries – 9-50 pos. – Slide lock



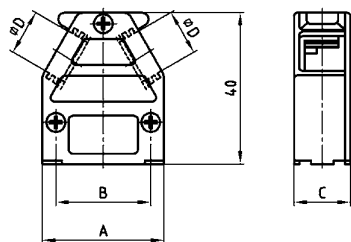
RoHS compliant – CSA listed, File No.: LR 115000-1 – UL listed, File No.: E202784

DESCRIPTION

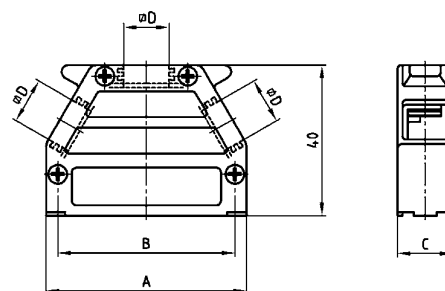
- Zinc die-cast hood, EMI/RFI shielding
- Design:
9 pos. = two sided cable entries,
15-50 pos. = three cable entries
- Delivery includes: Hood, blanking plugs, screws for assembly, grounding screw, slide lock, spring
- Cable clamp must be ordered separately
- Crimp fitting and crimp tool please contact factory
- Bulk or single packaged units

PRODUCT DRAWING

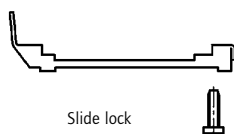
9 pos.



15-50 pos.



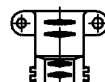
Spring



Slide lock



Locking hooks for slide lock



Cable clamp

No. of pos.	A	B	C	Ø D
09	32.00	25.00	14.80	12.10
15	39.30	33.30	14.80	12.10
25	53.20	47.04	14.80	12.10
37	69.50	63.50	14.80	12.10
50	67.00	61.10	17.80	14.60

ORDER DATA

D-SUB METAL HOOD – VARIABLE CABLE ENTRIES		
No. of pos.	Design	Part Number
09	Housing / Two side cable entries	165 X 11659 X
15	Housing / Three cable entries	165 X 11669 X
25	Housing / Three cable entries	165 X 11679 X
37	Housing / Three cable entries	165 X 11689 X
50	Housing / Three cable entries	165 X 11699 X

D-SUB METAL HOOD – CABLE CLAMP – SLIDE LOCK		
No. of pos.	Design	Part Number
09-37	Cable clamp	160 X 11189 X
50	Cable clamp	160 X 11199 X
09-37	Locking hooks for slide lock	165 X 10119 X
50	Locking hooks for slide lock	165 X 10129 X

For single packaged add the letter „E“ at the end of the part number.

D-SUB METAL HOOD

Variable cable entries – 9-50 pos. – Without jack screws



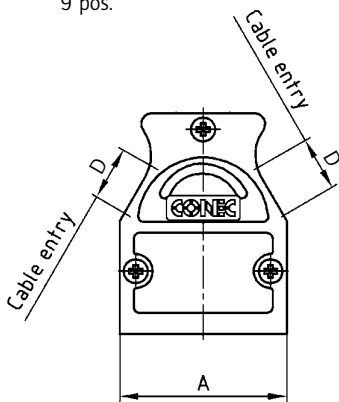
RoHS compliant – CSA listed, File No.: LR 115000-1 – UL listed, File No.: E202784

DESCRIPTION

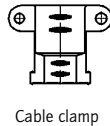
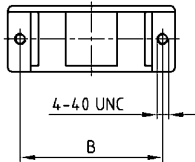
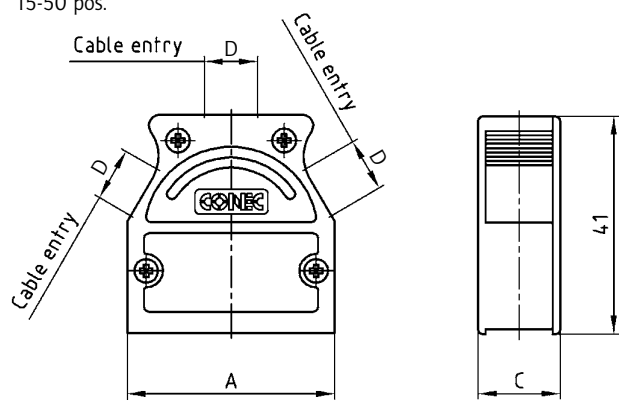
- Zinc die-cast hood, EMI/RFI shielding
- Design:
 - 9 pos. = two side cable entries,
 - 15-50 pos. = three cable entries
- Internal ground
- Bulk or single packaged units

PRODUCT DRAWING

9 pos.



15-50 pos.



No. of pos.	A	B	C	D
09	31.00	25.00	14.80	12x9.0
15	39.00	33.30	14.80	12x9.0
25	53.00	47.00	14.80	12x9.0
37	69.50	63.50	14.80	12x9.0
50	67.00	61.10	17.60	14.3x11.6

ORDER DATA

D-SUB METAL HOOD		
No. of pos.	Design	Part Number
09	Housing/Two side cable entries	600 X 51109 X
15	Housing/Three cable entries	600 X 51115 X
25	Housing/Three cable entries	600 X 51125 X
37	Housing/Three cable entries	600 X 51137 X
50	Housing/Three cable entries	600 X 51150 X
09-37	Cable clamp	160 X 10139 X
50	Cable clamp	160 X 10149 X

For single packaged add the letter „E“ at the end of the part number.

D-SUB METAL HOOD

Variable cable entries – 9-25 pos. – Jack screws



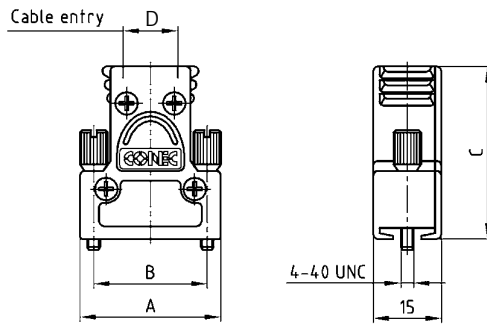
RoHS compliant – CSA listed, File No.: LR 115000-1 – UL listed, File No.: E202784

DESCRIPTION

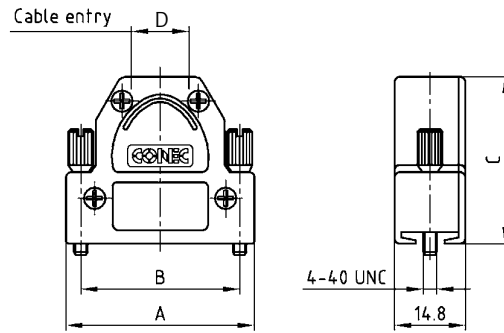
- Zinc die-cast hood, EMI/RFI shielding
- Designs:
9-15 pos. = one straight cable entry,
25 pos. = three cable entries
- Internal ground
- 4-40 UNC jack screw
- M3 thread design for jack screws available on request
- Bulk or single packaged units
- Cable clamps must be ordered separately

PRODUCT DRAWING

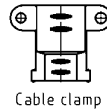
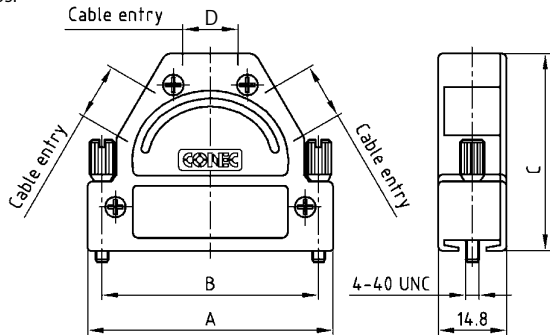
9 pos.



15 pos.



25 pos.



No. of pos.	A	B	C	D
09	31.00	25.00	37.20	8x9.00
15	39.00	33.30	35.20	11x9.00
25	53.00	47.00	42.70	11.5x9.00

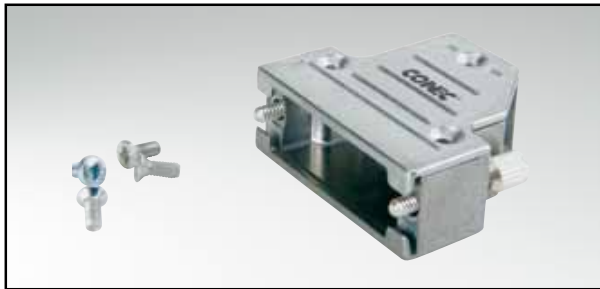
ORDER DATA

D-SUB METAL HOOD WITH LONG JACK SCREW		
No. of pos.	Design	Part Number
09	Housing/One straight cable entry	600 X 51209 X
15	Housing/One straight cable entry	600 X 51215 X
25	Housing/Three cable entries	600 X 51225 X
09-25	Cable clamp	160 X 10139 X

For single packaged add the letter „E“ at the end of the part number.

D-SUB METAL HOOD

Side cable entry – 9-25 pos. – Jack screws

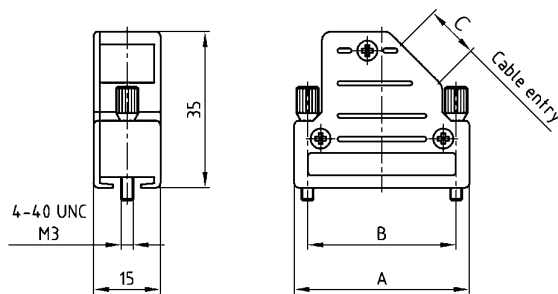


RoHS compliant – CSA listed, File No.: LR 115000-1 – UL listed, File No.: E202784

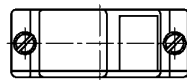
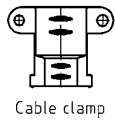
DESCRIPTION

- Zinc die-cast hood, EMI/RFI shielding
- Internal ground
- Fastening:
jack screws 4-40 UNC or M3 thread
- Bulk or single packaged units
- Cable clamps must be ordered separately

PRODUCT DRAWING



No. of pos.	A	B	C
09	31.00	25.00	10x9.2
15	39.00	33.30	12x9.2
25	53.00	47.00	12x9.2



ORDER DATA

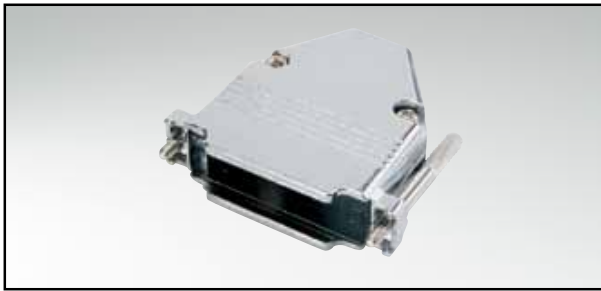
D-SUB METAL HOOD – SIDE CABLE ENTRY		
No. of pos.	Design	Part Number
09	4-40 UNC Jack screw	600 X 51309 X
15	4-40 UNC Jack screw	600 X 51315 X
25	4-40 UNC Jack screw	600 X 51325 X
09-25	Cable clamp	160 X 10139 X

D-SUB METAL HOOD – SIDE CABLE ENTRY			
No. of pos.	Design	Part Number	
09	M3 Jack screw	600 X 51609 X	
15	M3 Jack screw	600 X 51615 X	
25	M3 Jack screw	600 X 51625 X	
09-25	Cable clamp	160 X 10139 X	

For single packaged add the letter „E“ at the end of the part number.

D-SUB METAL HOOD

Straight cable entry – 9-50 pos. – With jack screws

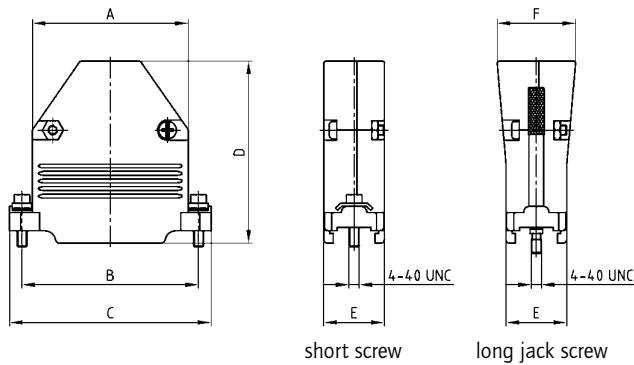


RoHS compliant – CSA listed, File No.: LR 115000-1 – UL listed, File No.: E202784

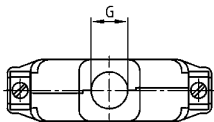
DESCRIPTION

- Zinc die-cast hood, EMI/RFI shielding
- Simple assembly
- Fastening:
 - Short screw Thread 4-40 UNC
 - Jack screw Thread 4-40 UNC
- Bulk or single packaged units

PRODUCT DRAWING



No. of pos.	A	B	C	D	E	F	G
09	19.80	25.00	31.00	47.00	15.60	-	8.50
15	27.90	33.30	40.20	48.30	16.20	-	10.00
25	41.50	47.00	53.70	48.80	16.20	-	11.00
37	57.80	63.50	69.00	48.50	16.20	20.80	14.00
50	55.00	61.10	67.00	48.50	18.70	23.20	12.30



ORDER DATA

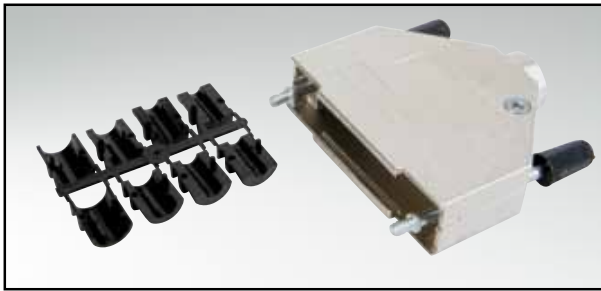
D-SUB METAL HOOD – STRAIGHT CABLE ENTRY		
No. of pos.	Design 4-40 UNC	Part Number
09	Short screw	300 X 11129 X
15	Short screw	300 X 11139 X
25	Short screw	300 X 11149 X
37	Short screw	300 X 11159 X
50	Short screw	300 X 11169 X

D-SUB METAL HOOD – STRAIGHT CABLE ENTRY		
No. of pos.	Design 4-40 UNC	Part Number
09	Jack screw	300 X 11179 X
15	Jack screw	300 X 11189 X
25	Jack screw	300 X 11199 X
37	Jack screw	300 X 11209 X
50	Jack screw	300 X 11219 X

For single packaged add the letter „E“ at the end of the part number.

D-SUB METAL HOOD

Straight cable entry – 9-37 pos. – Jack screws

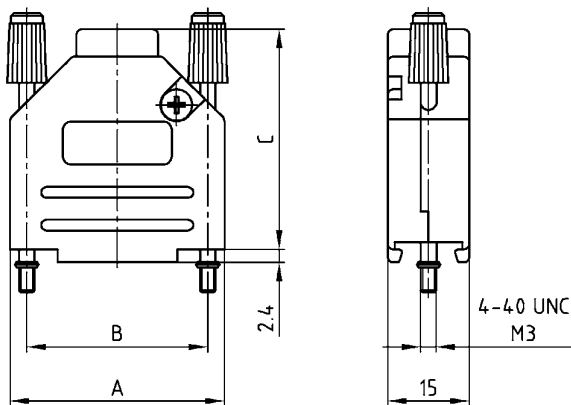


RoHS compliant – CSA listed, File No.: LR 115000-1 – UL listed, File No.: E202784

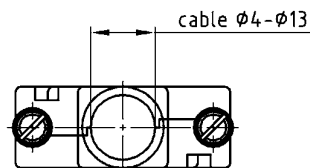
DESCRIPTION

- Zinc die-cast hood, EMI/RFI shielding
- Plastic strain relief
- Fastening:
jack screws 4-40 UNC or M3 thread
- Housing nickel plated
- Attenuation factor: > 40dB between 30 Mhz and 2 GHz
- Crimp fitting and crimp tool please contact factory
- Bulk or single packaged units

PRODUCT DRAWING



No. of pos.	A	B	C
09	31.00	25.00	38.30
15	39.50	33.30	40.50
25	53.40	47.00	47.30
37	70.90	63.50	52.20



ORDER DATA

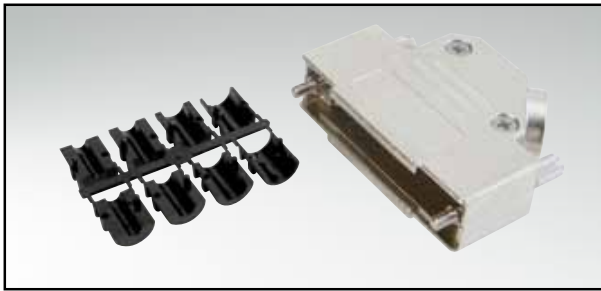
D-SUB METAL HOOD – STRAIGHT CABLE ENTRY		
No. of pos.	Design 4-40 UNC	Part Number
09	Jack screw	165 X 02609 X
15	Jack screw	165 X 02619 X
25	Jack screw	165 X 02629 X
37	Jack screw	165 X 02639 X

D-SUB METAL HOOD – STRAIGHT CABLE ENTRY		
No. of pos.	Design M3	Part Number
09	Jack screw	165 X 02649 X
15	Jack screw	165 X 02659 X
25	Jack screw	165 X 02669 X
37	Jack screw	165 X 02679 X

For single packaged add the letter „E“ at the end of the part number.

D-SUB METAL HOOD

Side cable entry – 9-37 pos. – Jack screws



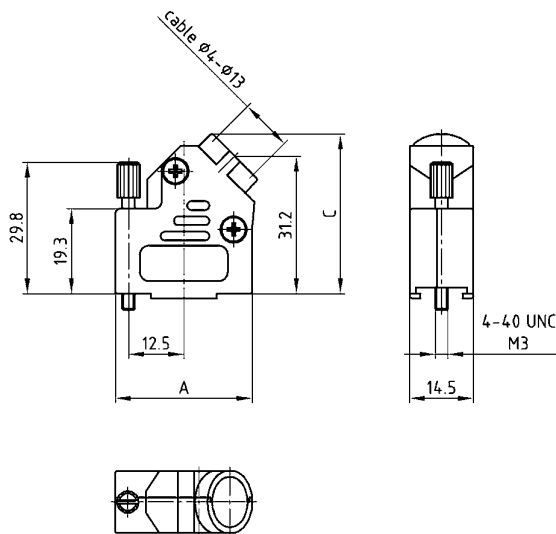
RoHS compliant – CSA listed, File No.: LR 115000-1 – UL listed, File No.: E202784

DESCRIPTION

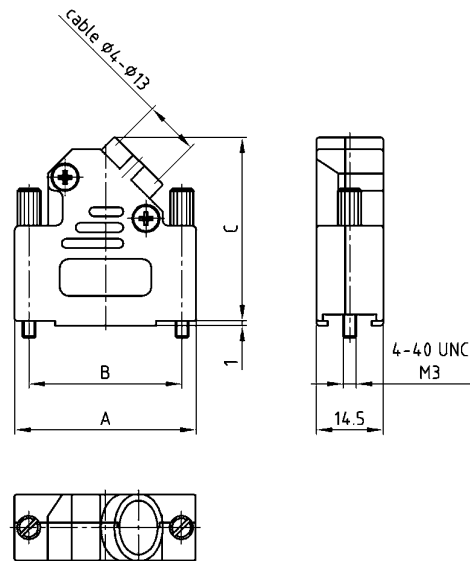
- Zinc die-cast hood, EMI/RFI shielding
- Plastic strain relief
- Fastening:
jack screws 4-40 UNC or M3 thread
- Housing nickel plated
- Attenuation factor: > 40dB between 30 Mhz and 2 GHz
- Crimp fitting and crimp tool please contact factory
- Bulk or single packaged units

PRODUCT DRAWING

9 pos.



15-37 pos.



No. of pos.	A	B	C
09	31.00		36.20
15	39.50	33.30	40.20
25	53.20	47.00	40.20
37	69.70	63.50	40.20

ORDER DATA

D-SUB METAL HOOD – SIDE CABLE ENTRY

No. of pos.	Design 4-40 UNC	Part Number
09	Jack screw	165 X 02689 X
15	Jack screw	165 X 02699 X
25	Jack screw	165 X 02709 X
37	Jack screw	165 X 02719 X

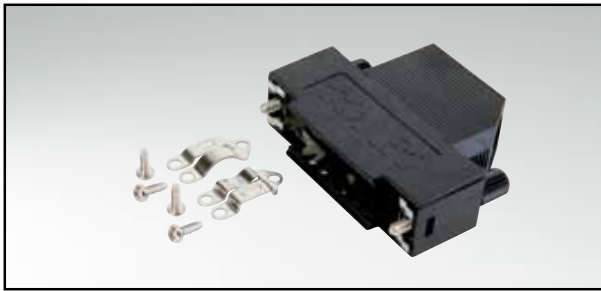
D-SUB METAL HOOD – SIDE CABLE ENTRY

No. of pos.	Design M3	Part Number
09	Jack screw	165 X 02729 X
15	Jack screw	165 X 02739 X
25	Jack screw	165 X 02749 X
37	Jack screw	165 X 02759 X

For single packaged add the letter „E“ at the end of the part number.

D-SUB PLASTIC HOOD

Side cable entry – 9-50 pos. – With and without internal shielding



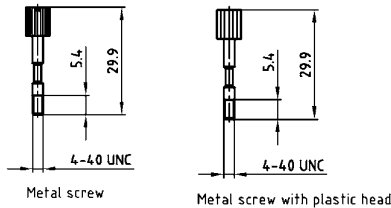
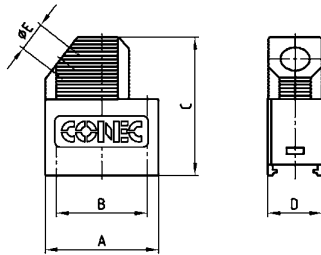
RoHS compliant – CSA listed, File No.: LR 115000-1 – UL listed, File No.: E202784

DESCRIPTION

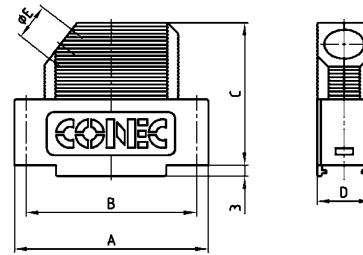
- Material: Polycarbonate Black or Grey + Glas filled
- Design:
 - without shielding
 - with internal shielding
- Fastening:
 - Metal jack screw with plastic head or full metal jack screws
- Press-fit housing assembly
- Attenuation factor at 10 MHz > 60dB (shielded version)
- Bulk or single packaged units

PRODUCT DRAWING

9 pos.



15-50 pos.



No. of pos.	A	B	C	D	Ø E
09	31.30	25.00	39.15	15.00	8.00
15	39.62	33.30	39.15	15.00	9.00
25	53.52	47.00	39.15	15.00	11.00
37	69.80	63.50	39.15	15.00	11.00
50	67.41	61.10	39.15	19.00	14.50

ORDER DATA

D-SUB PLASTIC HOOD – SIDE CABLE ENTRY - UNSHIELDED		
No. of pos.	Design	Part Number
09	Black housing / Metal jack screw / Plastic head	165 X 11709 X
15	Black housing / Metal jack screw / Plastic head	165 X 11719 X
25	Black housing / Metal jack screw / Plastic head	165 X 11729 X
37	Black housing / Metal jack screw / Plastic head	165 X 11739 X
50	Black housing / Metal jack screw / Plastic head	165 X 11749 X
09	Black housing / Full metal jack screw	165 X 00829 A
15	Black housing / Full metal jack screw	165 X 00839 A
25	Black housing / Full metal jack screw	165 X 00849 A
37	Black housing / Full metal jack screw	165 X 00859 A
50	Black housing / Full metal jack screw	165 X 00869 A
09	Grey housing / Metal jack screw / Plastic head	165 X 16019 X
15	Grey housing / Metal jack screw / Plastic head	165 X 16029 X
25	Grey housing / Metal jack screw / Plastic head	165 X 16039 X
37	Grey housing / Metal jack screw / Plastic head	165 X 16049 X
50	Grey housing / Metal jack screw / Plastic head	165 X 16059 X
09	Grey housing / Full metal jack screw	165 X 16069 X
15	Grey housing / Full metal jack screw	165 X 16079 X
25	Grey housing / Full metal jack screw	165 X 16089 X
37	Grey housing / Full metal jack screw	165 X 16099 X
50	Grey housing / Full metal jack screw	165 X 16109 X

D-SUB PLASTIC HOOD – SIDE CABLE ENTRY - SHIELDED		
No. of pos.	Design	Part Number
09	Black housing / Metal jack screw / Plastic head	165 X 11759 X
15	Black housing / Metal jack screw / Plastic head	165 X 11769 X
25	Black housing / Metal jack screw / Plastic head	165 X 11779 X
37	Black housing / Metal jack screw / Plastic head	165 X 11789 X
50	Black housing / Metal jack screw / Plastic head	165 X 11799 X
09	Black housing / Full metal jack screw	165 X 00779 A
15	Black housing / Full metal jack screw	165 X 00789 A
25	Black housing / Full metal jack screw	165 X 00799 A
37	Black housing / Full metal jack screw	165 X 00809 A
50	Black housing / Full metal jack screw	165 X 00819 A
09	Grey housing / Metal jack screw / Plastic head	165 X 16119 X
15	Grey housing / Metal jack screw / Plastic head	165 X 16129 X
25	Grey housing / Metal jack screw / Plastic head	165 X 16139 X
37	Grey housing / Metal jack screw / Plastic head	165 X 16149 X
50	Grey housing / Metal jack screw / Plastic head	165 X 16159 X
09	Grey housing / Full metal jack screw	165 X 16169 X
15	Grey housing / Full metal jack screw	165 X 16179 X
25	Grey housing / Full metal jack screw	165 X 16189 X
37	Grey housing / Full metal jack screw	165 X 16199 X
50	Grey housing / Full metal jack screw	165 X 16209 X

For single packaged add the letter „E“ at the end of the part number.

D-SUB PLASTIC HOOD

Straight cable entry – 9-50 pos. – With jack screws

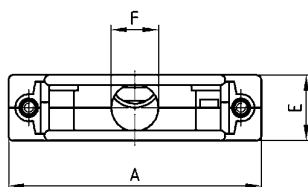
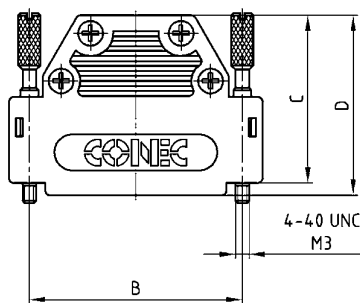


RoHS compliant – CSA listed, File No.: LR 115000-1 – UL listed, File No.: E202784

DESCRIPTION

- Two-part plastic hood
- Integrated cable clamping
- Material:
 - Plastic hood grey/black: Polyamide + Glas filled, UL 94 V-0
 - Plastic hood metallized: ABS, UL 94 V-0
- Fastening:
 - 4-40 UNC jack screw
 - M3 jack screw
- Bulk or single packaged units

PRODUCT DRAWING



No. of pos.	A	B	C	D	E	Ø F
09	34.00	25.00	25.00	27.75	14.50	8.50
15	42.30	33.30	37.00	39.75	14.50	10.00
25	56.00	47.00	37.00	39.75	14.50	10.50
37	72.50	63.50	37.00	39.75	14.50	10.50
50	67.00	61.10	49.10	51.40	19.80	14.00

ORDER DATA

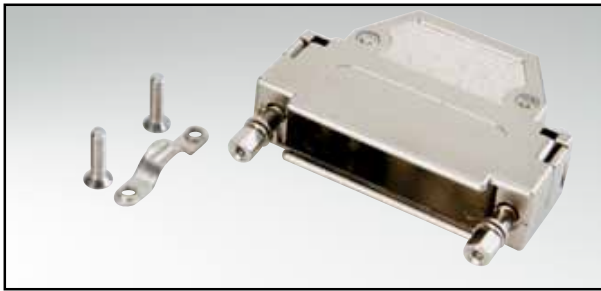
D-SUB PLASTIC HOOD – STRAIGHT CABLE ENTRY		
No. of pos.	Design	Part Number
09	Black housing / 4-40 UNC Jack screw	165 X 10139 X
15	Black housing / 4-40 UNC Jack screw	165 X 10149 X
25	Black housing / 4-40 UNC Jack screw	165 X 10159 X
37	Black housing / 4-40 UNC Jack screw	165 X 10169 X
50	Black housing / 4-40 UNC Jack screw	165 X 10179 X
09	Black housing / M3 Jack screw	165 X 10189 X
15	Black housing / M3 Jack screw	165 X 10199 X
25	Black housing / M3 Jack screw	165 X 10209 X
37	Black housing / M3 Jack screw	165 X 10219 X
50	Black housing / M3 Jack screw	165 X 10229 X
09	Grey housing / 4-40-UNC Jack screw	165 X 14109 X
15	Grey housing / 4-40-UNC Jack screw	165 X 14119 X
25	Grey housing / 4-40-UNC Jack screw	165 X 14129 X
37	Grey housing / 4-40-UNC Jack screw	165 X 14139 X
50	Grey housing / 4-40-UNC Jack screw	165 X 14149 X
09	Grey housing / M3 Jack screw	165 X 14159 X
15	Grey housing / M3 Jack screw	165 X 14169 X
25	Grey housing / M3 Jack screw	165 X 14179 X
37	Grey housing / M3 Jack screw	165 X 14189 X
50	Grey housing / M3 Jack screw	165 X 14199 X

D-SUB PLASTIC HOOD – STRAIGHT CABLE ENTRY - METALLIZED		
No. of pos.	Design	Part Number
09	Metallized housing / 4-40 UNC Jack screw	165 X 10909 X
15	Metallized housing / 4-40 UNC Jack screw	165 X 10919 X
25	Metallized housing / 4-40 UNC Jack screw	165 X 10929 X
37	Metallized housing / 4-40 UNC Jack screw	165 X 10939 X
50	Metallized housing / 4-40 UNC Jack screw	165 X 10949 X
09	Metallized housing / M3 Jack screw	165 X 10959 X
15	Metallized housing / M3 Jack screw	165 X 10969 X
25	Metallized housing / M3 Jack screw	165 X 10979 X
37	Metallized housing / M3 Jack screw	165 X 10989 X
50	Metallized housing / M3 Jack screw	165 X 10999 X

For single packaged add the letter „E“ at the end of the part number.

D-SUB PLASTIC HOOD

Straight cable entry – 9-50 pos. – Cable-to-cable connection

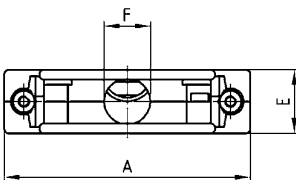
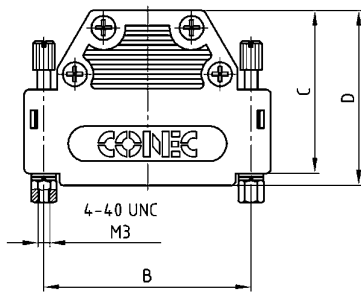


RoHS compliant – CSA listed, File No.: LR 115000-1 – UL listed, File No.: E202784

DESCRIPTION

- Two-part plastic hood
- Integrated cable clamping
- Material:
 - Plastic hood grey / black: Polyamide + Glas filled, UL 94 V-0
 - Plastic hood metallized: ABS, UL 94 V-0
- Fastening:
 - 4-40 UNC jack screw
 - M3 jack screw
- Bulk or single packaged units

PRODUCT DRAWING



No. of pos.	A	B	C	D	E	Ø F
09	34.00	25.00	25.00	27.75	14.50	8.50
15	42.30	33.30	37.00	39.75	14.50	10.00
25	56.00	47.00	37.00	39.75	14.50	10.50
37	72.50	63.50	37.00	39.75	14.50	10.50
50	67.00	61.10	49.10	51.40	19.80	14.00

ORDER DATA

D-SUB PLASTIC HOOD – CABLE-TO-CABLE CONNECTION		
No. of pos.	Design	Part Number
09	Black housing / Jack screw / 4-40 UNC Hex bolt	165 X 10239 X
15	Black housing / Jack screw / 4-40 UNC Hex bolt	165 X 10249 X
25	Black housing / Jack screw / 4-40 UNC Hex bolt	165 X 10259 X
37	Black housing / Jack screw / 4-40 UNC Hex bolt	165 X 10269 X
50	Black housing / Jack screw / 4-40 UNC Hex bolt	165 X 10279 X
09	Black housing / Jack screw / M3 Hex bolt	165 X 10289 X
15	Black housing / Jack screw / M3 Hex bolt	165 X 10299 X
25	Black housing / Jack screw / M3 Hex bolt	165 X 10309 X
37	Black housing / Jack screw / M3 Hex bolt	165 X 10319 X
50	Black housing / Jack screw / M3 Hex bolt	165 X 10329 X
09	Grey housing / Jack screw / 4-40 UNC Hex bolt	165 X 14209 X
15	Grey housing / Jack screw / 4-40 UNC Hex bolt	165 X 14219 X
25	Grey housing / Jack screw / 4-40 UNC Hex bolt	165 X 14229 X
37	Grey housing / Jack screw / 4-40 UNC Hex bolt	165 X 14239 X
50	Grey housing / Jack screw / 4-40 UNC Hex bolt	165 X 14249 X
09	Grey housing / Jack screw / M3 Hex bolt	165 X 14259 X
15	Grey housing / Jack screw / M3 Hex bolt	165 X 14269 X
25	Grey housing / Jack screw / M3 Hex bolt	165 X 14279 X
37	Grey housing / Jack screw / M3 Hex bolt	165 X 14289 X
50	Grey housing / Jack screw / M3 Hex bolt	165 X 14299 X

D-SUB PLASTIC HOOD - CABLE-TO-CABLE CONNECTION – METALLIZED		
No. of pos.	Design	Part Number
09	Metallized housing / Jack screw / 4-40 UNC Hex bolt	165 X 11009 X
15	Metallized housing / Jack screw / 4-40 UNC Hex bolt	165 X 11019 X
25	Metallized housing / Jack screw / 4-40 UNC Hex bolt	165 X 11029 X
37	Metallized housing / Jack screw / 4-40 UNC Hex bolt	165 X 11039 X
50	Metallized housing / Jack screw / 4-40 UNC Hex bolt	165 X 11049 X
09	Metallized housing / Jack screw / M3 Hex bolt	165 X 11059 X
15	Metallized housing / Jack screw / M3 Hex bolt	165 X 11069 X
25	Metallized housing / Jack screw / M3 Hex bolt	165 X 11079 X
37	Metallized housing / Jack screw / M3 Hex bolt	165 X 11089 X
50	Metallized housing / Jack screw / M3 Hex bolt	165 X 11099 X

For single packaged add the letter „E“ at the end of the part number.

D-SUB PLASTIC HOOD

Straight cable entry – 9-50 pos.



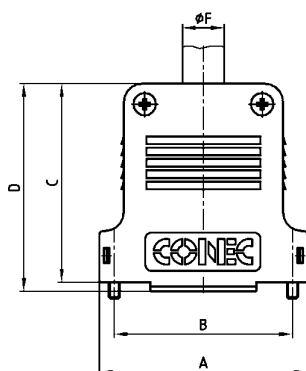
RoHS compliant – CSA listed, File No.: LR 115000-1 – UL listed, File No.: E202784

DESCRIPTION

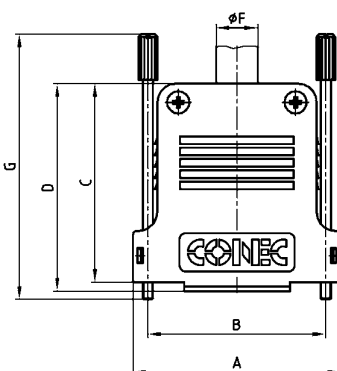
- Suitable for Combination D-SUB Connectors
- Large internal space for crimp, high power and coaxial contacts
- Material:
 - Plastic hood black: Polyester, UL 94 V-0
 - Plastic hood metallized: ABS, UL 94 V-0
- Fastening:
 - 4-40 UNC jack screw or M3
 - 4-40 UNC short screw or M3
- Bulk or single packaged units

PRODUCT DRAWING

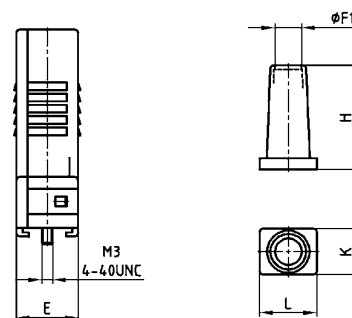
Short screw



Jack screw



Cable grommet



No. of pos.	A	B	C	D	E	Ø F	Ø F1	G	H	K	L
09	32.90	25.00	39.50	41.80	16.30	11.00	5.00	60.00	24.50	11.20	11.20
15	41.20	33.30	45.50	47.80	16.30	11.00	5.00	60.00	24.50	11.20	11.20
25	54.90	47.00	52.50	54.80	16.30	12.00	7.00	70.00	27.50	12.20	15.00
37	71.40	63.50	55.50	57.80	18.70	15.00	7.00	70.00	27.50	12.20	15.00
50	69.00	61.10	55.00	57.80	19.50	14.00	9.30	70.00	29.20	15.00	20.00

ORDER DATA

D-SUB PLASTIC HOOD BLACK		
No. of pos.	Design	Part Number
09	Black housing / 4-40 UNC Short screw	165 X 13369 X
15	Black housing / 4-40 UNC Short screw	165 X 13379 X
25	Black housing / 4-40 UNC Short screw	165 X 13389 X
37	Black housing / 4-40 UNC Short screw	165 X 13399 X
50	Black housing / 4-40 UNC Short screw	165 X 13409 X
09	Black housing / M3 Short screw	165 X 14509 X
15	Black housing / M3 Short screw	165 X 14519 X
25	Black housing / M3 Short screw	165 X 14529 X
37	Black housing / M3 Short screw	165 X 14539 X
50	Black housing / M3 Short screw	165 X 14549 X
09	Black housing / 4-40 UNC Jack screw	165 X 03309 A
15	Black housing / 4-40 UNC Jack screw	165 X 03319 A
25	Black housing / 4-40 UNC Jack screw	165 X 03329 A
37	Black housing / 4-40 UNC Jack screw	165 X 03339 A
50	Black housing / 4-40 UNC Jack screw	165 X 03349 A
09	Black housing / M3 Jack screw	165 X 03359 A
15	Black housing / M3 Jack screw	165 X 03369 A
25	Black housing / M3 Jack screw	165 X 03379 A
37	Black housing / M3 Jack screw	165 X 03389 A
50	Black housing / M3 Jack screw	165 X 03399 A

D-SUB PLASTIC HOOD METALLIZED		
No. of pos.	Design	Part Number
09	Metallized housing / 4-40 UNC Short screw	165 X 13469 X
15	Metallized housing / 4-40 UNC Short screw	165 X 13479 X
25	Metallized housing / 4-40 UNC Short screw	165 X 13489 X
37	Metallized housing / 4-40 UNC Short screw	165 X 13499 X
50	Metallized housing / 4-40 UNC Short screw	165 X 13509 X
09	Metallized housing / M3 Short screw	165 X 14609 X
15	Metallized housing / M3 Short screw	165 X 14619 X
25	Metallized housing / M3 Short screw	165 X 14629 X
37	Metallized housing / M3 Short screw	165 X 14639 X
50	Metallized housing / M3 Short screw	165 X 14649 X

CABLE GROMMET		
No. of pos.	Design	Part Number
09/15	Cable grommet for 9 and 15 pos. hood	795-907600
25/37	Cable grommet for 25 and 37 pos. hood	795-907700
50	Cable grommet for 50 pos. hood	795-907800

For single packaged add the letter „E“ at the end of the part number.

D-SUB PLASTIC HOOD

Side cable entry – 9-50 pos.



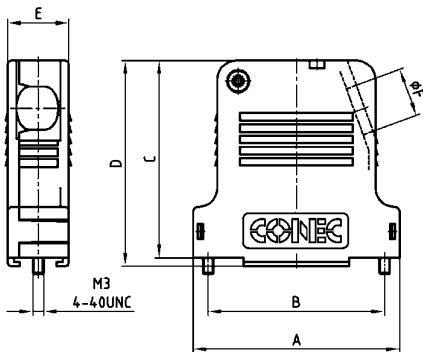
RoHS compliant – CSA listed, File No.: LR 115000-1 – UL listed, File No.: E202784

DESCRIPTION

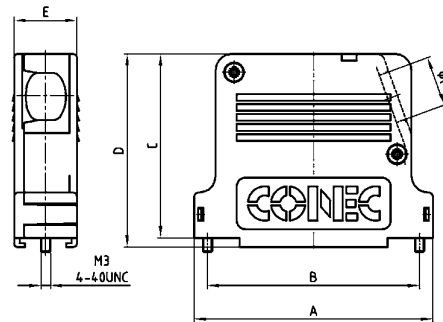
- Suitable for Combination D-SUB Connectors
- Large internal space for crimp, high power and coaxial contacts
- Material:
 - Plastic hood black: Polyester, UL 94 V-0
 - Plastic hood metallized: ABS, UL 94 V-0
- Fastening:
 - 4-40 UNC or M3 short screw
- Bulk or single packaged units

PRODUCT DRAWING

9-25 pos.



37-50 pos



No. of pos.	A	B	C	D	E	Ø F
09	32.90	25.00	39.50	41.90	16.40	8.60
15	41.20	33.30	45.50	47.90	16.40	9.40
25	54.90	47.00	52.50	54.90	16.40	13.00
37	71.40	63.50	55.00	57.90	18.80	15.00
50	69.00	61.10	55.00	57.90	19.60	14.90

ORDER DATA

D-SUB PLASTIC HOOD BLACK		
No. of pos.	Design	Part Number
09	Black housing / 4-40 UNC Short screw	165 X 13419 X
15	Black housing / 4-40 UNC Short screw	165 X 13429 X
25	Black housing / 4-40 UNC Short screw	165 X 13439 X
37	Black housing / 4-40 UNC Short screw	165 X 13449 X
50	Black housing / 4-40 UNC Short screw	165 X 13459 X
09	Black housing / M3 Short screw	165 X 14559 X
15	Black housing / M3 Short screw	165 X 14569 X
25	Black housing / M3 Short screw	165 X 14579 X
37	Black housing / M3 Short screw	165 X 14589 X
50	Black housing / M3 Short screw	165 X 14599 X

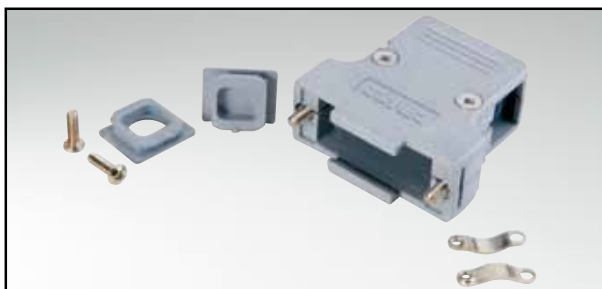
D-SUB PLASTIC HOOD METALLIZED		
No. of pos.	Design	Part Number
09	Metallized housing / 4-40 UNC Short screw	165 X 13519 X
15	Metallized housing / 4-40 UNC Short screw	165 X 13529 X
25	Metallized housing / 4-40 UNC Short screw	165 X 13539 X
37	Metallized housing / 4-40 UNC Short screw	165 X 13549 X
50	Metallized housing / 4-40 UNC Short screw	165 X 13559 X
09	Metallized housing / M3 Short screw	165 X 14659 X
15	Metallized housing / M3 Short screw	165 X 14669 X
25	Metallized housing / M3 Short screw	165 X 14679 X
37	Metallized housing / M3 Short screw	165 X 14689 X
50	Metallized housing / M3 Short screw	165 X 14699 X

For single packaged add the letter „E“ at the end of the part number.

CABLE GROMMET		
No. of pos.	Design	Part Number
09/15	Cable grommet for 9 and 15 pos. hood	795-907600
25/37	Cable grommet for 25 and 37 pos. hood	795-907700
50	Cable grommet for 50 pos. hood	795-907800

D-SUB PLASTIC HOOD

Single or dual cable entry – 9-50 pos.



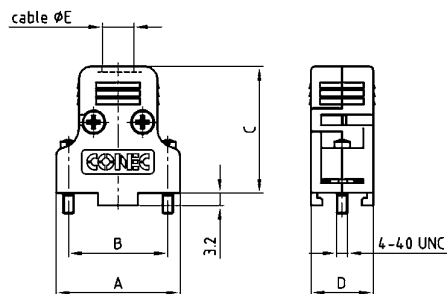
RoHS compliant – CSA listed, File No.: LR 115000-1 – UL listed, File No.: E202784

DESCRIPTION

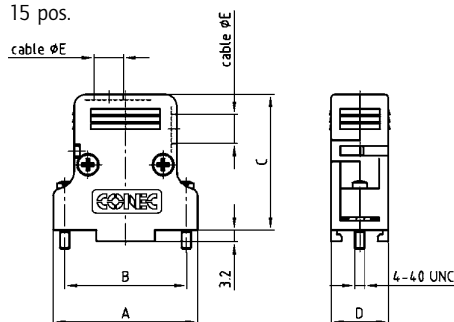
- Integrated cable clamping
- Design:
 - 9 pos. = one straight cable entry,
 - 15-50 pos. = one straight and one side cable entry
- Material:
 - Plastic hood grey: Polycarbonate + Glas filled, UL 94 V-0
 - Plastic hood metallized: ABS, UL 94 V-0
- Fastening:
 - 4-40 UNC short screw
- Bulk or single packaged units

PRODUCT DRAWING

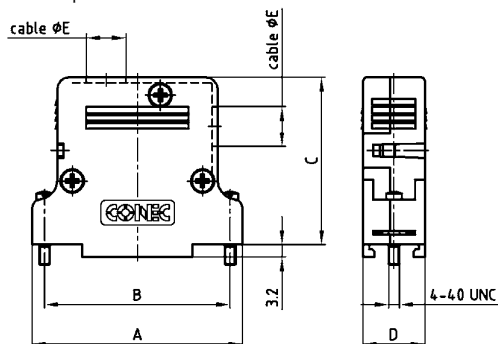
9 pos.



15 pos.



25-50 pos.



No. of pos.	A	B	C	D	Ø E
09	31.20	25.00	31.80	15.60	8.00
15	39.50	33.30	37.00	15.60	8.00
25	53.20	47.00	42.20	15.60	10.00
37	69.70	63.50	42.20	15.60	10.00
50	67.30	61.10	42.20	18.50	12.50

ORDER DATA

D-SUB PLASTIC HOOD GREY

No. of pos.	Design	Part Number
09	Grey housing / Single cable entry / 4-40 UNC Short screw	165 X 11869 X
15	Grey housing / Dual cable entries / 4-40 UNC Short screw	165 X 11879 X
25	Grey housing / Dual cable entries / 4-40 UNC Short screw	165 X 11889 X
37	Grey housing / Dual cable entries / 4-40 UNC Short screw	165 X 11899 X
50	Grey housing / Dual cable entries / 4-40 UNC Short screw	165 X 11909 X

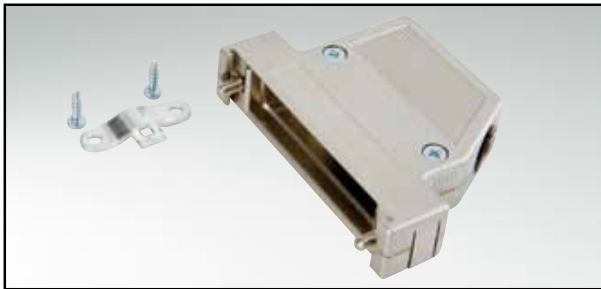
D-SUB PLASTIC HOOD METALLIZED

No. of pos.	Design	Part Number
09	Metallized housing / Single cable entry / 4-40 UNC Short screw	165X11919 X
15	Metallized housing / Dual cable entries / 4-40 UNC Short screw	165X11929 X
25	Metallized housing / Dual cable entries / 4-40 UNC Short screw	165X11939 X
37	Metallized housing / Dual cable entries / 4-40 UNC Short screw	165X11949 X
50	Metallized housing / Dual cable entries / 4-40 UNC Short screw	165X11959 X

For single packaged add the letter „E“ at the end of the part number.

D-SUB PLASTIC HOOD

Straight or side cable entry – 9-37 pos. – Low profile



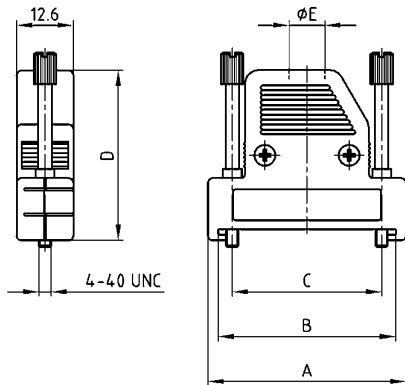
RoHS compliant – CSA listed, File No.: LR 115000-1 – UL listed, File No.: E202784

DESCRIPTION

- Space-saving, side-by-side mounting
- Material:
 - Plastic hood black: ABS, UL 94 V-0
 - Plastic hood metallized: ABS, UL 94 V-0
- Fastening:
 - 4-40 UNC Jack screw
 - 4-40 UNC short screw
- Bulk or single packaged units

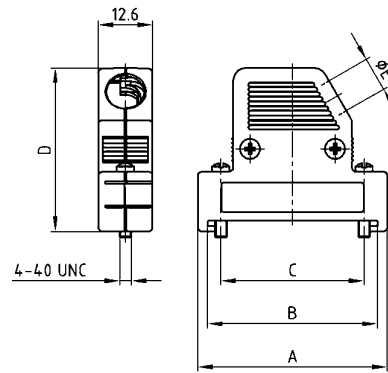
PRODUCT DRAWING

Straight cable entry 9-37 pos.



No. of pos.	A	B	C	D	Ø E
09	35.80	31.20	25.00	37.00	8.00
15	44.10	39.50	33.30	38.00	8.00
25	57.90	53.20	47.00	41.00	9.00
37	74.30	69.70	63.50	41.00	9.00

60° cable entry 9-37 pos.



No. of pos.	A	B	C	D	Ø E
09	35.80	31.20	25.00	37.00	8.00
15	44.10	39.50	33.30	38.00	8.00
25	57.90	53.20	47.00	41.00	9.00
37	74.30	69.70	63.50	41.00	9.00

ORDER DATA

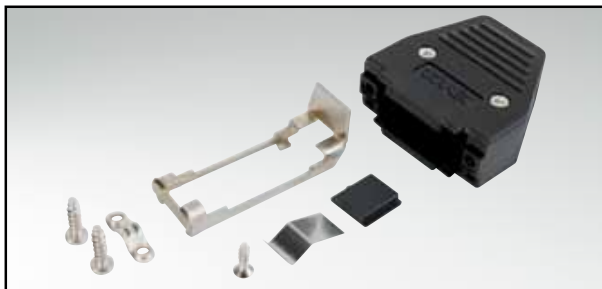
D-SUB PLASTIC HOOD - STRAIGHT CABLE ENTRY		
No. of pos.	Design	Part Number
09	Black housing / 4-40 UNC Jack screw	165 X 16219 X
15	Black housing / 4-40 UNC Jack screw	165 X 16229 X
25	Black housing / 4-40 UNC Jack screw	165 X 16239 X
37	Black housing / 4-40 UNC Jack screw	165 X 16249 X
09	Metallized housing / 4-40-UNC Jack screw	165 X 16299 X
15	Metallized housing / 4-40-UNC Jack screw	165 X 16309 X
25	Metallized housing / 4-40-UNC Jack screw	165 X 16319 X
37	Metallized housing / 4-40-UNC Jack screw	165 X 16329 X

D-SUB PLASTIC HOOD – SIDE CABLE ENTRY		
No. of pos.	Design	Part Number
09	Black housing / 4-40 UNC Short screw	165 X 16379 X
15	Black housing / 4-40 UNC Short screw	165 X 16389 X
25	Black housing / 4-40 UNC Short screw	165 X 16399 X
37	Black housing / 4-40 UNC Short screw	165 X 16409 X
09	Metallized housing / 4-40-UNC Short screw	165 X 16459 X
15	Metallized housing / 4-40-UNC Short screw	165 X 16469 X
25	Metallized housing / 4-40-UNC Short screw	165 X 16479 X
37	Metallized housing / 4-40-UNC Short screw	165 X 16489 X

For single packaged add the letter „E“ at the end of the part number.

D-SUB PLASTIC HOOD

Straight or side cable entry – 9-50 pos. – Jack screws or slide lock mounting



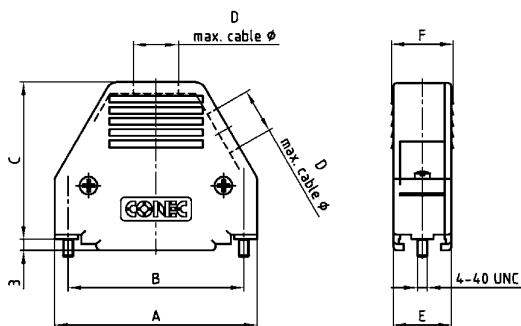
RoHS compliant – CSA listed, File No.: LR 115000-1 – UL listed, File No.: E202784

DESCRIPTION

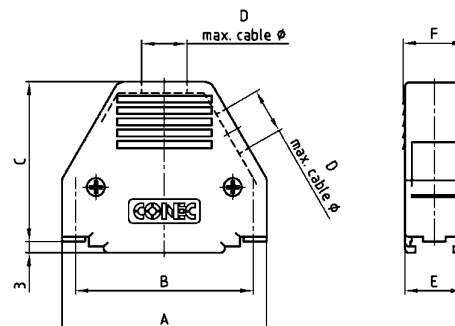
- Integrated strain relief
- Entries not in use are blanked off with blanking plugs
- Material:
 - Plastic hood black: ABS, UL 94 V-0
 - Plastic hood metallized: ABS, UL 94 V-0
- Fastening:
 - 4-40 UNC short screws
 - Slide lock
- Bulk or single packaged units

PRODUCT DRAWING

Housing with short slotted screw



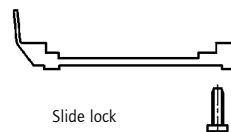
Housing with slide lock



No. of pos.	A	B	C	Ø D	E	F
09	32.00	25.00	36.70	6.30	15.50	16.50
15	40.00	33.30	38.20	8.00	15.50	16.50
25	54.20	47.00	42.20	10.50	15.50	16.50
37	70.60	63.50	47.20	11.50	15.50	16.50
50	68.20	61.10	47.20	13.70	19.60	20.60



Spring



Slide lock



Locking hooks for slide lock

ORDER DATA

D-SUB PLASTIC HOOD – BLACK		
No. of pos.	Design	Part Number
09	4-40 UNC Short screw	165 X 11239 X
15	4-40 UNC Short screw	165 X 11249 X
25	4-40 UNC Short screw	165 X 11259 X
37	4-40 UNC Short screw	165 X 11269 X
50	4-40 UNC Short screw	165 X 16539 X
09	Slide lock version	165 X 11279 X
15	Slide lock version	165 X 11289 X
25	Slide lock version	165 X 11299 X
37	Slide lock version	165 X 11309 X
50	Slide lock version	165 X 16549 X

D-SUB PLASTIC HOOD – METALLIZED		
No. of pos.	Design	Part Number
09	4-40 UNC Short screw	165 X 11319 X
15	4-40 UNC Short screw	165 X 11329 X
25	4-40 UNC Short screw	165 X 11339 X
37	4-40 UNC Short screw	165 X 11349 X
50	4-40 UNC Short screw	165 X 16559 X
09	Slide lock version	165 X 11359 X
15	Slide lock version	165 X 11369 X
25	Slide lock version	165 X 11379 X
37	Slide lock version	165 X 11389 X
50	Slide lock version	165 X 16569 X

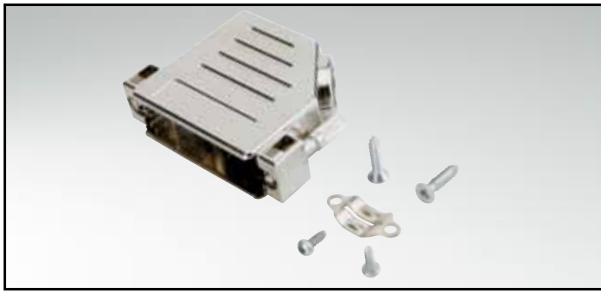
For single packaged add the letter „E“ at the end of the part number.

LOCKING FOR SLIDE LOCK

No. of pos.	Design	Part Number
09-37	Locking hooks for 9-37 pos. hood	795-907600
50	Locking hooks 50 pos. hood	795-907700

D-SUB PLASTIC HOOD

Side cable entry – 9-50 pos. – Jack screws or short screws



RoHS compliant – CSA listed, File No.: LR 115000-1 – UL listed, File No.: E202784

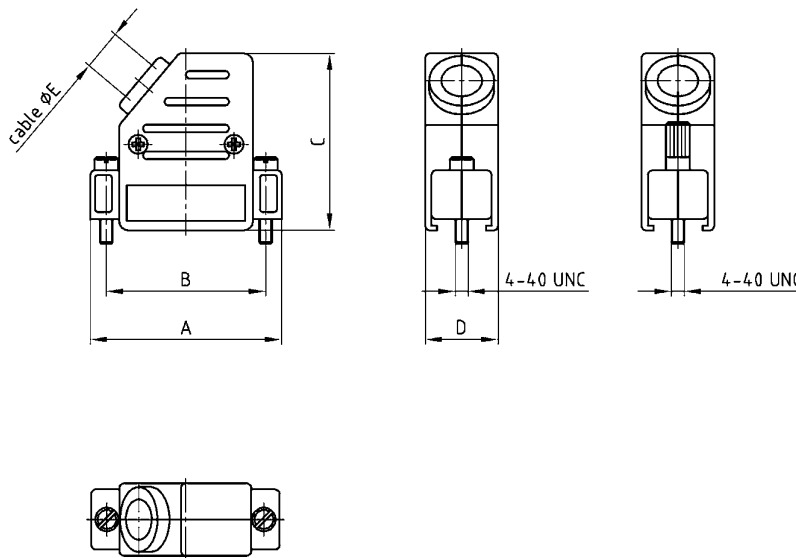
DESCRIPTION

- Material:
 - Plastic hood black: ABS, UL 94 V-0
 - Plastic hood metallized: ABS, UL 94 V-0
- Fastening:
 - 4-40 UNC short screws
 - 4-40 UNC jack screws
- Bulk or single packaged units

PRODUCT DRAWING

with short screw

with jack screws



No. of pos.	A	B	C	D	Ø E
09	31.50	25.00	37.00	15.20	8.50
15	40.00	33.30	37.00	15.20	8.50
25	53.50	47.00	41.00	15.20	11.00
37	70.00	63.50	41.00	15.20	11.00
50	67.80	61.10	41.00	18.20	12.00

ORDER DATA

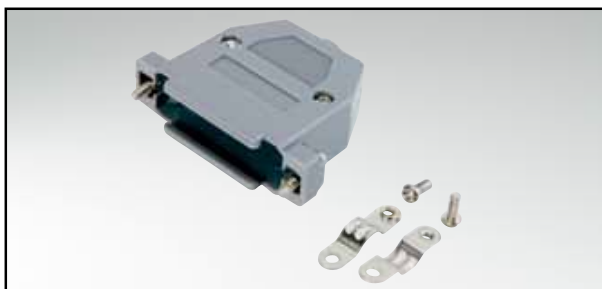
D-SUB PLASTIC HOOD – SIDE CABLE ENTRY		
No. of pos.	Design	Part Number
09	Black housing / 4-40 UNC Short screw	600 X 54009 X
15	Black housing / 4-40 UNC Short screw	600 X 54015 X
25	Black housing / 4-40 UNC Short screw	600 X 54025 X
37	Black housing / 4-40 UNC Short screw	600 X 54037 X
50	Black housing / 4-40 UNC Short screw	600 X 54050 X
09	Black housing / 4-40 UNC Jack screw	600 X 55009 X
15	Black housing / 4-40 UNC Jack screw	600 X 55015 X
25	Black housing / 4-40 UNC Jack screw	600 X 55025 X
37	Black housing / 4-40 UNC Jack screw	600 X 55037 X
50	Black housing / 4-40 UNC Jack screw	600 X 55050 X

D-SUB PLASTIC HOOD – SIDE CABLE ENTRY – METALLIZED		
No. of pos.	Design	Part Number
09	Metallized housing / 4-40 UNC Short screw	600 X 56009 X
15	Metallized housing / 4-40 UNC Short screw	600 X 56015 X
25	Metallized housing / 4-40 UNC Short screw	600 X 56025 X
37	Metallized housing / 4-40 UNC Short screw	600 X 56037 X
50	Metallized housing / 4-40 UNC Short screw	600 X 56050 X
09	Metallized housing / 4-40 UNC Jack screw	600 X 57009 X
15	Metallized housing / 4-40 UNC Jack screw	600 X 57015 X
25	Metallized housing / 4-40 UNC Jack screw	600 X 57025 X
37	Metallized housing / 4-40 UNC Jack screw	600 X 57037 X
50	Metallized housing / 4-40 UNC Jack screw	600 X 57050 X

For single packaged add the letter „E“ at the end of the part number.

D-SUB PLASTIC HOOD

Straight cable entry – 9-37 pos. – Jack screws or short screws



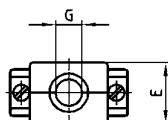
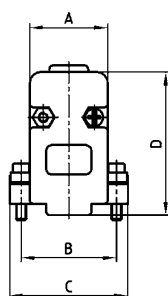
RoHS compliant – CSA listed, File No.: LR 115000-1 – UL listed, File No.: E202784

DESCRIPTION

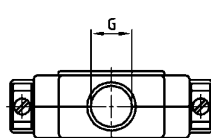
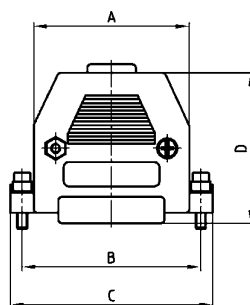
- Material:
 - Plastic hood grey: ABS, UL 94 V-2
 - Plastic hood metallized: ABS, UL 94 V-2
- Fastening:
 - 4-40 UNC short screw
 - 4-40 UNC jack screw
- Bulk or single packaged units

PRODUCT DRAWING

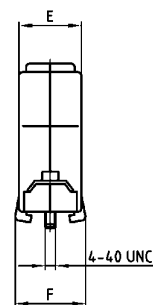
9 pos.



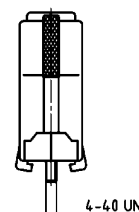
15-50 pos.



with short screw



with jack screws



No. of pos.	A	B	C	D	E	F	Ø G
09	20.50	25.00	31.00	38.80	16.00	16.00	7.00
15	28.00	33.30	39.50	35.50	16.00	17.50	10.00
25	41.00	47.00	55.00	42.00	16.50	16.50	11.00
37	58.00	63.50	70.00	51.10	24.20	19.00	14.00

ORDER DATA

D-SUB PLASTIC HOOD – GREY		
No. of pos.	Design 4-40 UNC	Part Number
09	Grey housing / Short screw	300 X 10169 X
15	Grey housing / Short screw	300 X 10179 X
25	Grey housing / Short screw	300 X 10209 X
37	Grey housing / Short screw	300 X 10219 X
09	Grey housing / Jack screw	300 X 10829 X
15	Grey housing / Jack screw	300 X 10839 X
25	Grey housing / Jack screw	300 X 10859 X
37	Grey housing / Jack screw	300 X 10869 X

D-SUB PLASTIC HOOD – METALLIZED		
No. of pos.	Design 4-40 UNC	Part Number
09	Metallized housing / Short screw	300 X 10109 X
15	Metallized housing / Short screw	300 X 10119 X
25	Metallized housing / Short screw	300 X 10149 X
37	Metallized housing / Short screw	300 X 10159 X
09	Metallized housing / Jack screw	300 X 10879 X
15	Metallized housing / Jack screw	300 X 10889 X
25	Metallized housing / Jack screw	300 X 10909 X
37	Metallized housing / Jack screw	300 X 10919 X

For single packaged add the letter „E“ at the end of the part number.

D-SUB PLASTIC HOOD

Straight or side cable entry – 9-50 pos.

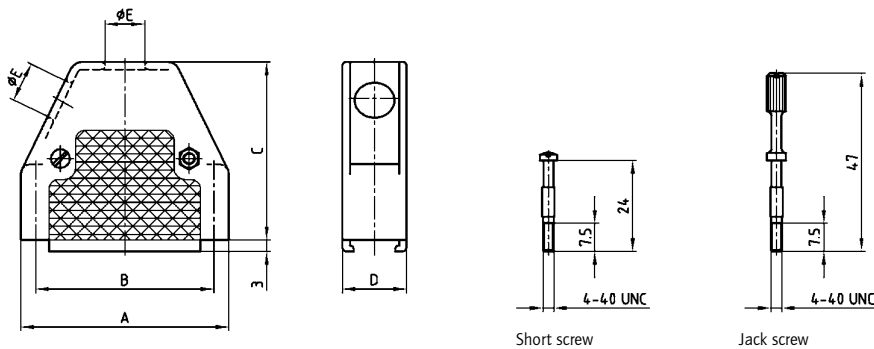


RoHS compliant – CSA listed, File No.: LR 115000-1 – UL listed, File No.: E202784

DESCRIPTION

- Material:
Plastic hood black: Polyamide 6.6 + Glas filled, UL 94 V-0
- Fastening:
- 4-40 UNC short screw
- 4-40 UNC jack screw
- Bulk or single packaged units

PRODUCT DRAWING



No. of pos.	A	B	C	D	Ø E
09	33.00	25.00	45.50	17.00	7.50
15	41.00	33.30	45.50	17.00	8.50
25	55.00	47.00	47.00	17.00	10.50
37	71.30	63.50	51.00	17.00	11.00
50	69.00	61.10	50.00	20.00	12.50

ORDER DATA

D-SUB PLASTIC HOOD		
No. of pos.	Design 4-40 UNC	Part Number
09	Black housing / Short screw	165 X 13019 X
15	Black housing / Short screw	165 X 13029 X
25	Black housing / Short screw	165 X 13039 X
37	Black housing / Short screw	165 X 13049 X
50	Black housing / Short screw	165 X 13059 X

D-SUB PLASTIC HOOD		
No. of pos.	Design 4-40 UNC	Part Number
09	Black housing / Jack screw	165 X 13079 X
15	Black housing / Jack screw	165 X 13089 X
25	Black housing / Jack screw	165 X 13099 X
37	Black housing / Jack screw	165 X 13109 X
50	Black housing / Jack screw	165 X 13119 X

For single packaged add the letter „E“ at the end of the part number.

D-SUB PLASTIC HOOD

Straight cable entry – 9, 25 and 37 pos. – Flat mounting style

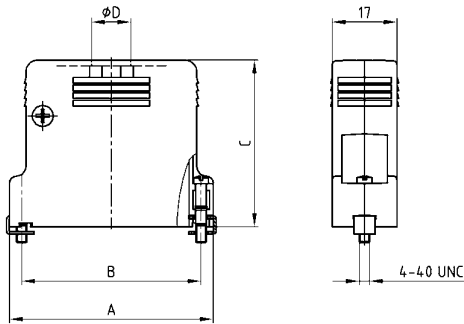


RoHS compliant – CSA listed, File No.: LR 115000-1 – UL listed, File No.: E202784

DESCRIPTION

- Strain relief is achieved by using a cable tie
- Material:
Plastic hood black: Polyamide 6.6 + Glas filled, UL 94 V-0
- Fastening:
4-40 UNC short screw
- Bulk or single packaged units

PRODUCT DRAWING



No. of pos.	A	B	C	Ø D
09	31.20	25.00	43.60	8.00
25	53.50	47.00	43.60	10.30
37	69.70	63.50	43.60	10.30

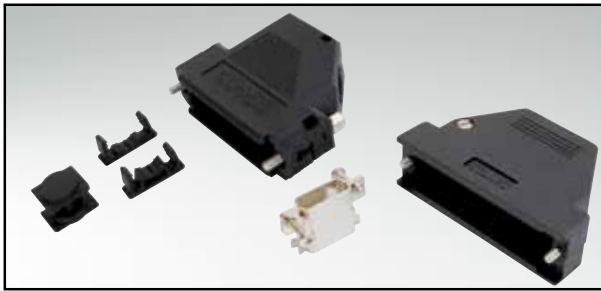
ORDER DATA

D-SUB PLASTIC HOOD		
No. of pos.	Design 4-40 UNC	Part Number
09	Black housing / Short screw	165 X 13179 X
25	Black housing / Short screw	165 X 13199 X
37	Black housing / Short screw	165 X 13209 X

For single packaged add the letter „E“ at the end of the part number.

D-SUB PLASTIC HOOD

50 pos. with large cable opening – 25 pos. – Snap locking hood



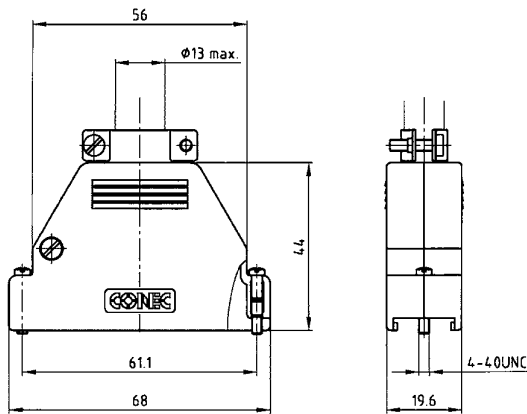
RoHS compliant – CSA listed, File No.: LR 115000-1 – UL listed, File No.: E202784

DESCRIPTION

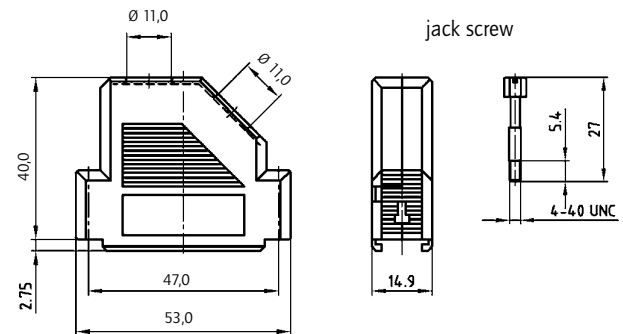
- Large cable opening
- 50 pos. version
 - Plastic hood black: Polyamide 6.6 + Glas filled, UL 94 V-0
 - Fastening: 4-40 UNC short screws
- 25 pos. version with snap locking for simple assembly
 - integrated strain relief for several cable diameters
 - Plastic hood black: ABS, UL 94 V-0
 - Fastening: with or without Jack screws 4-40 UNC
- Bulk or single packaged units

PRODUCT DRAWING

50 pos. plastic hood with large strain relief



25 pos. plastic hood – two cable openings



ORDER DATA

D-SUB PLASTIC HOOD – 50 POS.		
No. of pos.	Design	Part Number
50	Black housing / 4-40 UNC Short screw	165 X 13269 X

D-SUB PLASTIC HOOD – 25 POS. WITH SNAP LOCKING		
No. of pos.	Design	Part Number
25	Black housing / Without jack screws	165 X 11419 X
25	Black housing / With 4-40 UNC Jack screw	165 X 11459 X

For single packaged add the letter „E“ at the end of the part number.

D-SUB PLASTIC HOOD

Variable cable entries – 9-50 pos. – Without jack screws



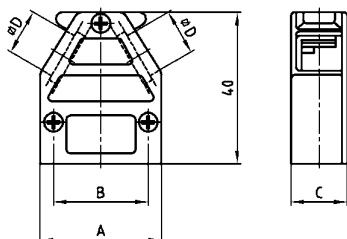
RoHS compliant – CSA listed, File No.: LR 115000-1 – UL listed, File No.: E202784

DESCRIPTION

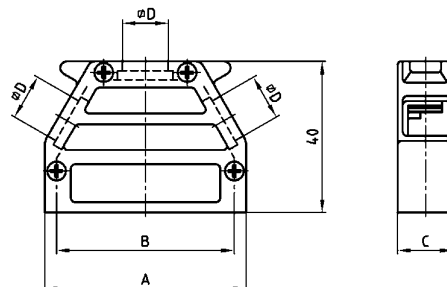
- Entries not in use are blanked off with blanking plugs
- Design:
 - 9 pos.: two cable entries
 - 15-50 pos.: two side and one straight cable entry
- Material:
 - Plastic hood black: ABS, UL 94 V-0
 - Plastic hood metallized: ABS, UL 94 V-0
- Bulk or single packaged units

PRODUCT DRAWING

9 pos. with two cable entries



15-50 pos. with three cable entries



No. of pos.	A	B	C	Ø D
09	31.00	25.00	15.40	12.10
15	39.30	33.30	15.40	12.10
25	53.20	47.00	15.40	12.10
37	69.50	63.50	15.40	12.10
50	67.00	61.10	17.90	14.60

ORDER DATA

D-SUB PLASTIC HOOD		
No. of pos.	Design	Part Number
09	Black housing	165 X 10489 X
15	Black housing	165 X 10499 X
25	Black housing	165 X 10509 X
37	Black housing	165 X 10519 X
50	Black housing	165 X 10529 X

D-SUB PLASTIC HOOD – METALLIZED		
No. of pos.	Design	Part Number
09	Metallized housing	165 X 11559 X
15	Metallized housing	165 X 11569 X
25	Metallized housing	165 X 11579 X
37	Metallized housing	165 X 11589 X
50	Metallized housing	165 X 11599 X

For single packaged add the letter „E“ at the end of the part number.

D-SUB PLASTIC HOOD

Straight or side cable entry – 9-50 pos. – Single piece Design



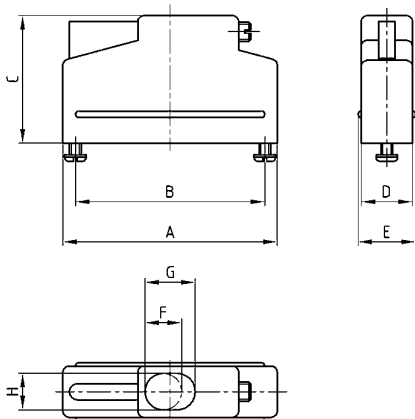
RoHS compliant – CSA listed, File No.: LR 115000-1 – UL listed, File No.: E202784

DESCRIPTION

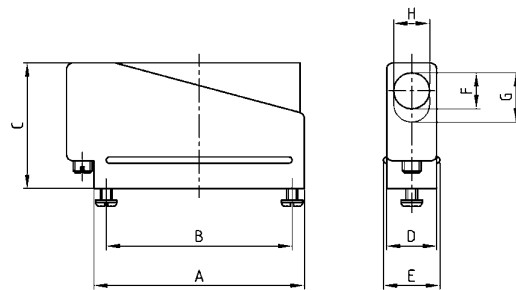
- Cable strain relief, set screws
- Material:
Plastic hood black: Polyamide 6.6, UL 94 V-0
- Fastening:
with connector mounting screws
- Bulk or single packaged units

PRODUCT DRAWING

Straight cable entry



Side cable entry



No. of pos.	A	B	C	D	E	Ø F	G	H
09	30.90	25.00	25.40	12.70	14.30	7.10	-	-
15	39.30	33.30	25.40	12.70	14.30	9.10	-	-
25	53.20	47.00	31.70	12.70	14.30	-	12.50	9.10
37	69.40	63.50	38.10	12.70	14.30	-	17.60	9.10
50	67.10	61.10	38.10	15.50	17.00	-	18.60	11.90

ORDER DATA

D-SUB PLASTIC HOOD – STRAIGHT CABLE ENTRY		
No. of pos.	Design	Part Number
09	Black housing	165 X 10389 X
15	Black housing	165 X 10399 X
25	Black housing	165 X 10409 X
37	Black housing	165 X 10419 X
50	Black housing	165 X 10429 X

D-SUB PLASTIC HOOD - SIDE CABLE ENTRY		
No. of pos.	Design	Part Number
09	Black housing	165 X 10439 X
15	Black housing	165 X 10449 X
25	Black housing	165 X 10459 X
37	Black housing	165 X 10469 X
50	Black housing	165 X 10479 X

For single packaged add the letter „E“ at the end of the part number.

D-SUB PLASTIC HOOD

Straight or side cable entry – Hinged version – 9 and 25 pos.



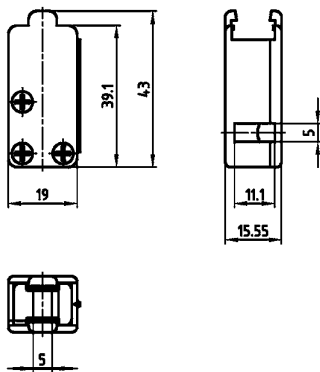
RoHS compliant – CSA listed, File No.: LR 115000-1 – UL listed, File No.: E202784

DESCRIPTION

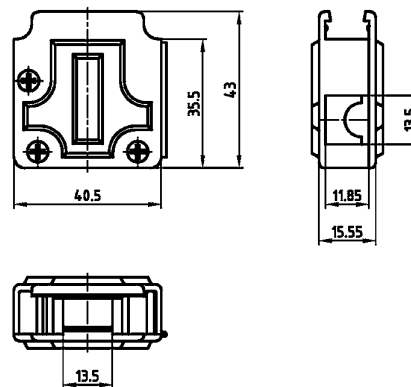
- Strain relief is achieved by plastic inserts
- Material:
Plastic hood black: Polypropylene, UL 94 V-0
- Fastening:
without jack screws
- Crimp fitting and crimp tool please contact factory
- Bulk or single packaged units

PRODUCT DRAWING

9 pos.



25 pos.



ORDER DATA

D-SUB PLASTIC HOOD		
No. of pos.	Design	Part Number
09	Black housing	165 X 13219 X
25	Black housing	165 X 13239 X

For single packaged add the letter „E“ at the end of the part number.

D-SUB PLASTIC HOOD

Side cable entry – Low profile – 15 pos.

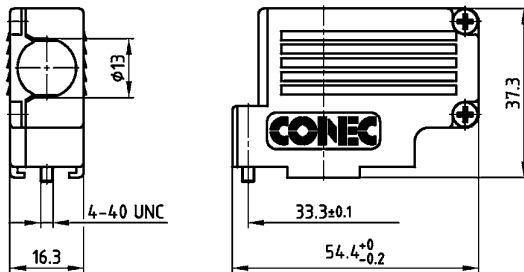


RoHS compliant – CSA listed, File No.: LR 115000-1 – UL listed, File No.: E202784

DESCRIPTION

- Requires little space
- Integrated strain relief
- Material:
 - Plastic hood black: PBT + Glas filled, UL 94 V-0
 - Plastic hood metallized: PBT + Glas filled, UL 94 V-0
- Fastening:
 - 4-40 UNC short screw
- Crimp fitting and crimp tool please contact factory
- Bulk or single packaged units

PRODUCT DRAWING



ORDER DATA

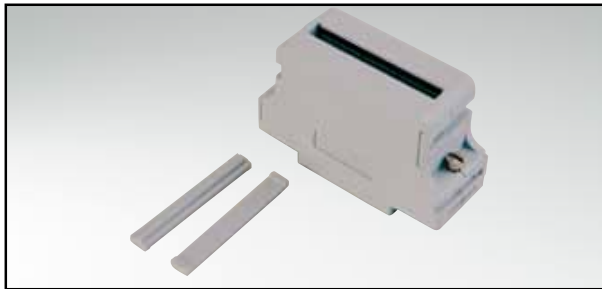
D-SUB PLASTIC HOOD – BLACK		
No. of pos.	Design	Part Number
15	Black housing	500 X 10015 MP

D-SUB PLASTIC HOOD – METALLIZED		
No. of pos.	Design	Part Number
15	Metallized housing	165 X 17729 X

For single packaged add the letter „E“ at the end of the part number.

D-SUB PLASTIC HOOD

For flat cable – Snap locking – 25 and 37 pos.

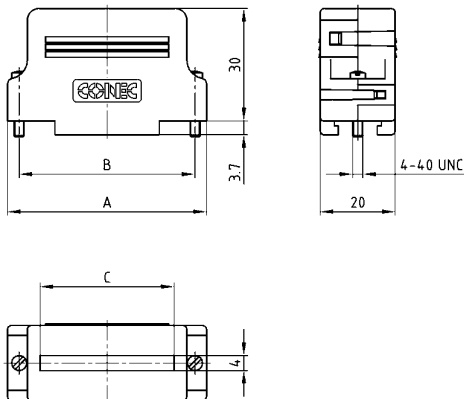


RoHS compliant – CSA listed, File No.: LR 115000-1 – UL listed, File No.: E202784

DESCRIPTION

- Hood for IDC D-SUB Connectors
- Quick assembly snap locking feature
- Integrated strain relief
- Material:
 - plastic hood grey: ABS, UL 94 V-0
 - Plastic hood metallized: ABS, UL 94 V-0
- Fastening:
 - 4-40 UNC short screws
- Bulk or single packaged units

PRODUCT DRAWING



No. of pos.	A	B	C
25	53.20	47.00	35.80
37	69.50	63.50	50.50

ORDER DATA

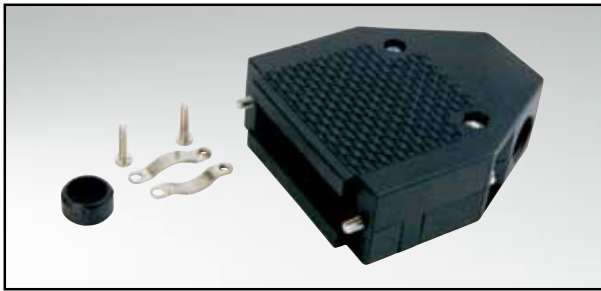
D-SUB PLASTIC HOOD		
No. of pos.	Design	Part Number
25	Grey housing	165 X 14029 X
37	Grey housing	165 X 14039 X

D-SUB PLASTIC HOOD – METALLIZED		
No. of pos.	Design	Part Number
25	Metallized housing	165 X 14069 X
37	Metallized housing	165 X 14079 X

For single packaged add the letter „E“ at the end of the part number.

D-SUB PLASTIC HOOD

For flat cable version and round cable version – 9 and 50 pos.



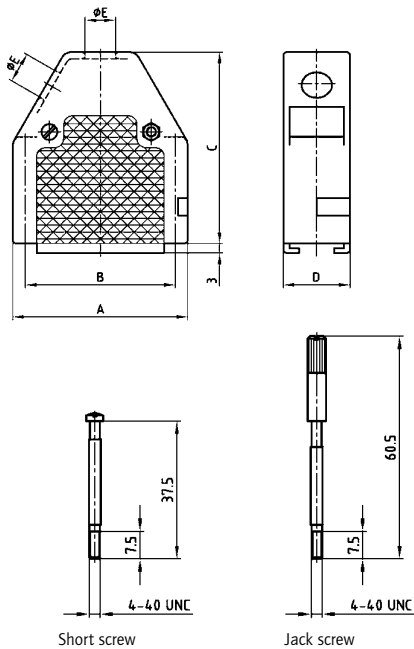
RoHS compliant – CSA listed, File No.: LR 115000-1 – UL listed, File No.: E202784

DESCRIPTION

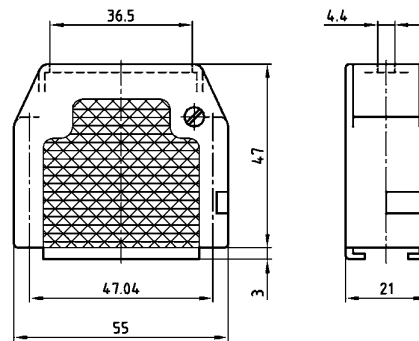
- Hood for IDC D-SUB Connectors
- Design:
 - round cable version with straight and side cable entry for flat cable
- Material:
 - plastic hood black: ABS, UL 94 V-0
- Fastening:
 - 4-40 UNC short screws
 - 4-40 UNC jack screws
- Bulk or single packaged units

PRODUCT DRAWING

Round cable entry



Flat cable entry



No. of pos.	A	B	C	D	Ø E
25	55.00	47.00	60.00	21.00	9.50
50	79.00	61.10	65.00	24.00	12.50

ORDER DATA

D-SUB PLASTIC HOOD – ROUND CABLE ENTRY		
No. of pos.	Design	Part Number
25	Black housing / Short screw	165 X 12919 X
50	Black housing / Short screw	165 X 12929 X
25	Black housing / Jack screw	165 X 12939 X

D-SUB PLASTIC HOOD – FLAT CABLE ENTRY		
No. of pos.	Design	Part Number
25	Black housing / Jack screw	165 X 12949 X

Also available as single package – in case of single package (polybag) please add „E“ at the end of part number.

D-SUB PLASTIC HOOD

Design for power 2W2 Combination D-SUB Connectors – Wire size AWG 8...20

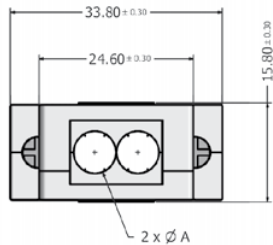
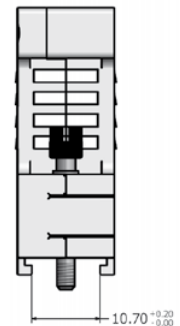
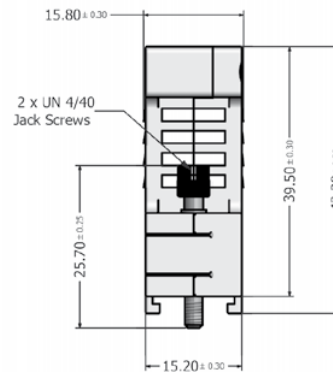
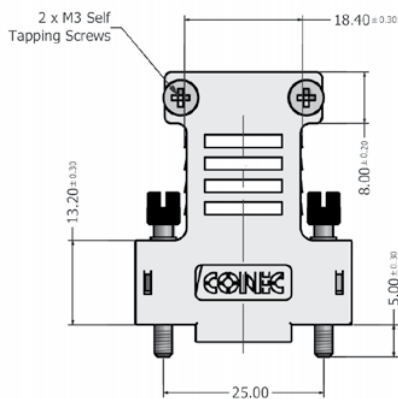


RoHS compliant – CSA listed, File No.: LR 115000-1 – UL listed, File No.: E202784

DESCRIPTION

- Hood for 2W2 Combination D-SUB Connector
- Design:
round cable entries with strain relief for wire size AWG 8...20
- Material:
Plastic hood grey: PA 6.6 Glas filled, UL 94 V-0
- Fastening:
4-40 UNC jack screws
- Bulk or single packaged units

PRODUCT DRAWING



AWG	Outer diameter cable	Ø A ^{+0.10} / _{-0.0}
8	6.58 ± 0.13	6.75
10	4.42 ± 0.10	4.52
12	3.88 ± 0.10	4.52
14	3.45 ± 0.10	3.55
16	2.95 ± 0.10	3.55
18	2.92 ± 0.10	3.02
20	2.44 ± 0.10	3.02

ORDER DATA

D-SUB PLASTIC HOOD 2W2

Cable bushing	Design	Part Number
Two supplied for	AWG 8	165 X 17889 X
Two supplied for	AWG 10 / AWG 12	165 X 17949 X
Two supplied for	AWG 14 / AWG 16	165 X 17959 X
Two supplied for	AWG 18 / AWG 20	165 X 17969 X

For single packaged add the letter „E“ at the end of the part number.

D-SUB PLASTIC HOOD 3W3

Design for power 3W3 Combination D-SUB Connectors – Wire size AWG 6...20

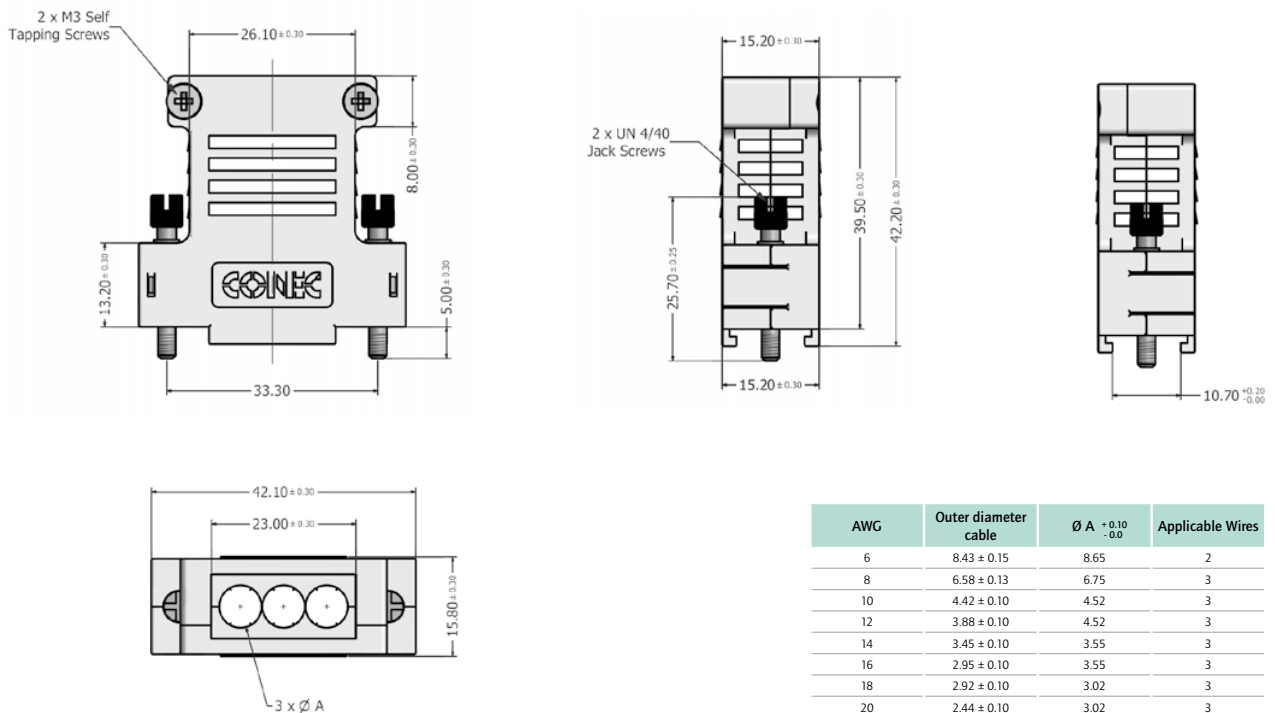


RoHS compliant – CSA listed, File No.: LR 115000-1 – UL listed, File No.: E202784

DESCRIPTION

- Hood for 3W3 Combination D-SUB Connector
- Design: round cable entries with strain relief for wire size AWG 6...20
- Material: Plastic hood grey: PA 6.6 Glas filled, UL 94 V-0
- Fastening: 4-40 UNC jack screw
- Bulk or single packaged units

PRODUCT DRAWING



ORDER DATA

D-SUB PLASTIC HOOD 3W3		
Cable bushing	Design	Part Number
Two supplied for	AWG 6	165 X 18169 X
Three supplied for	AWG 8	165 X 17899 X
Three supplied for	AWG 10 / AWG 12	165 X 17979 X
Three supplied for	AWG 14 / AWG 16	165 X 17989 X
Three supplied for	AWG 18 / AWG 20	165 X 17999 X

For single packaged add the letter „E“ at the end of the part number.

D-SUB MicroTCA METAL HOOD

Side cable entry – Slim design

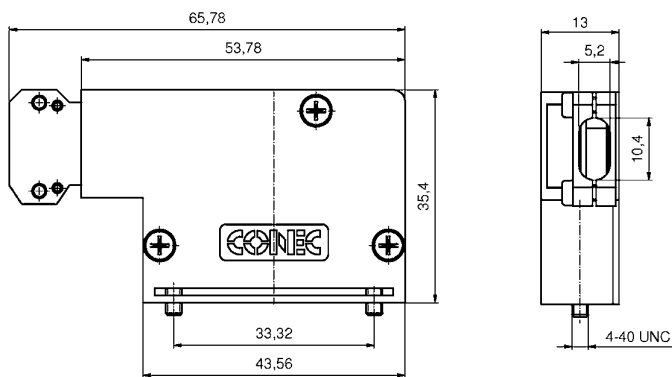


RoHS compliant

DESCRIPTION

- Cable hood for 7W2 MicroTCA Connector
- Suitable for other D-SUB Connectors
- Slim design for use on dual port interfaces
- Solid strain relief
- Material: zinc die-cast
- Fastening 4-40 UNC screws
- Crimp fitting and crimp tool please contact factory
- Bulk or single packaged units

PRODUCT DRAWING



ORDER DATA

D-SUB MicroTCA Hood 7W2

Type	Design	Part Number
7W2	Metal hood	16-000010

For single packaged add the letter „E“ at the end of the part number.

D-SUB MicroTCA Hood Set

Plastic hood with crimp connector body – Straight cable entry

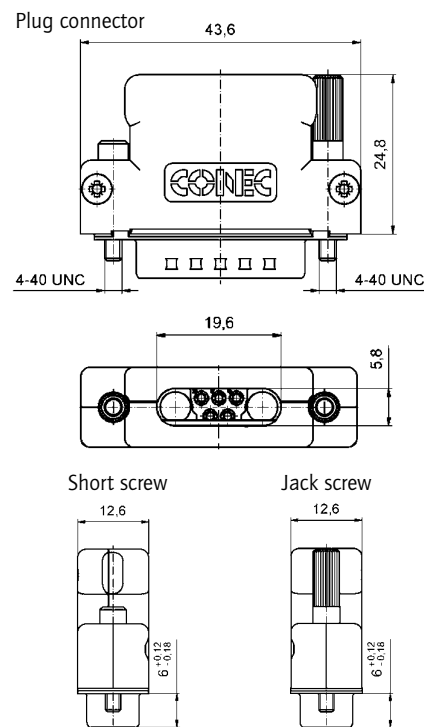
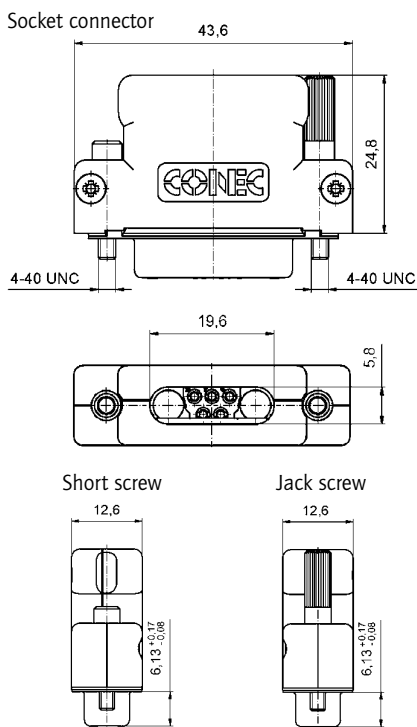


RoHS compliant

DESCRIPTION

- Hood and crimp body (7W2 type)
(other crimp bodies for shell size 2 on request)
- Small design style for use on dual port interfaces
- Crimp contact refer at page 9 | 15
- Design
 - Plastic hood black with integrated strain relief
 - 7W2 Crimp body without contacts
 - jack screw Allen Key or Phillips, 4-40 UNC
 - short screw Allen Key or Phillips, 4-40 UNC
- Bulk or single packaged units

PRODUCT DRAWING



ORDER DATA

D-SUB MicroTCA Hood Set - Socket Connector		
Type	Design	Part Number
7W2	Black housing / Short screw Phillips	13-000220
7W2	Black housing / Short screw Allen Key	13-000210
7W2	Black housing / Jack screw Phillips	13-000380
7W2	Black housing / Jack screw Allen Key	13-000370

D-SUB MicroTCA Hood Set - Plug Connector		
Type	Design	Part Number
7W2	Black housing / Short screw Phillips	13-002780
7W2	Black housing / Short screw Allen Key	13-002770
7W2	Black housing / Jack screw Phillips	13-002760
7W2	Black housing / Jack screw Allen Key	13-002750

For single packaged add the letter „E“ at the end of the part number.

D-SUB PLASTIC HOOD IP67

Straight cable entry – 9-50 pos.

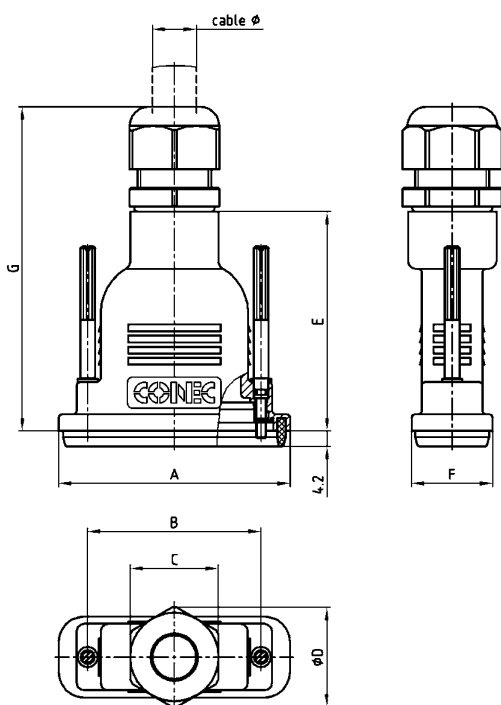


RoHS compliant – CSA listed, File No.: LR 115000-1 – UL listed, File No.: E202784

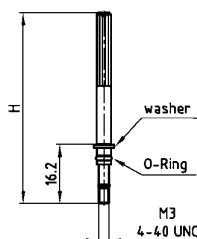
DESCRIPTION

- Water resistant hood for Standard D-SUB and Combination D-SUB Connectors
- With large internal space for high power and coaxial contacts
- Material:
 - Plastic hood black: PBT + Glas filled, UL 94 V-0
 - Plastic hood metallized: ABS, UL 94 V-0
- Fastening:
 - M3 or 4-40 UNC short screws stainless steel
 - M3 or 4-40 UNC jack screws stainless steel
- Bulk or single packaged units

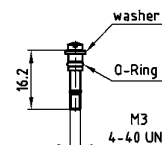
PRODUCT DRAWING



Jack screw



Short screw



Shellsize	A	B	C	Ø D	E	F	G	H	Cable Ø
1	40.76	25.00	SW 22	24.60	51.00	22.00	77.00	44.00	5 - 10
2	49.06	33.30	SW 24	26.50	51.00	22.00	79.00	52.00	6 - 12
3	62.80	47.04	SW 24	26.50	59.50	22.00	87.50	52.00	6 - 12
4	78.86	63.50	SW 33	36.20	67.00	22.00	99.00	52.00	9 - 16
5	76.46	61.10	SW 42	47.00	67.00	24.80	107.00	52.00	13 - 20

ORDER DATA

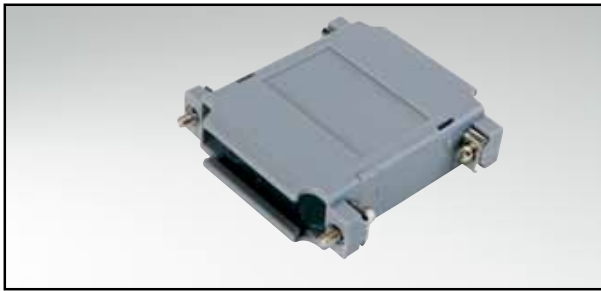
D-SUB PLASTIC HOOD – BLACK		
No. of pos.	Design	Part Number
09	Black housing / M3 Jack screw	165 X 15119 X
15	Black housing / M3 Jack screw	165 X 15129 X
25	Black housing / M3 Jack screw	165 X 15139 X
37	Black housing / M3 Jack screw	165 X 15149 X
50	Black housing / M3 Jack screw	165 X 15159 X
09	Black housing / 4-40 UNC Jack screw	165 X 14819 X
15	Black housing / 4-40 UNC Jack screw	165 X 14829 X
25	Black housing / 4-40 UNC Jack screw	165 X 14839 X
37	Black housing / 4-40 UNC Jack screw	165 X 14849 X
50	Black housing / 4-40 UNC Jack screw	165 X 14859 X
09	Black housing / M3 Short screw	165 X 15169 X
15	Black housing / M3 Short screw	165 X 15179 X
25	Black housing / M3 Short screw	165 X 15189 X
37	Black housing / M3 Short screw	165 X 15199 X
50	Black housing / M3 Short screw	165 X 15209 X
09	Black housing / 4-40 UNC Short screw	165 X 14869 X
15	Black housing / 4-40 UNC Short screw	165 X 14879 X
25	Black housing / 4-40 UNC Short screw	165 X 14889 X
37	Black housing / 4-40 UNC Short screw	165 X 14899 X
50	Black housing / 4-40 UNC Short screw	165 X 14909 X

D-SUB PLASTIC HOOD – METALLIZED		
No. of pos.	Design	Part Number
09	Metallized housing / M3 Jack screw	165 X 15319 X
15	Metallized housing / M3 Jack screw	165 X 15329 X
25	Metallized housing / M3 Jack screw	165 X 15339 X
37	Metallized housing / M3 Jack screw	165 X 15349 X
50	Metallized housing / M3 Jack screw	165 X 15359 X
09	Metallized housing / 4-40 UNC Jack screw	165 X 15019 X
15	Metallized housing / 4-40 UNC Jack screw	165 X 15029 X
25	Metallized housing / 4-40 UNC Jack screw	165 X 15039 X
37	Metallized housing / 4-40 UNC Jack screw	165 X 15049 X
50	Metallized housing / 4-40 UNC Jack screw	165 X 15059 X
09	Metallized housing / M3 Short screw	165 X 15369 X
15	Metallized housing / M3 Short screw	165 X 15379 X
25	Metallized housing / M3 Short screw	165 X 15389 X
37	Metallized housing / M3 Short screw	165 X 15399 X
50	Metallized housing / M3 Short screw	165 X 15409 X
09	Metallized housing / 4-40 UNC Short screw	165 X 15069 X
15	Metallized housing / 4-40 UNC Short screw	165 X 15079 X
25	Metallized housing / 4-40 UNC Short screw	165 X 15089 X
37	Metallized housing / 4-40 UNC Short screw	165 X 15099 X
50	Metallized housing / 4-40 UNC Short screw	165 X 15109 X

For single packaged add the letter „E“ at the end of the part number.

D-SUB ADAPTER HOOD

Plastic design – 9-25 pos.

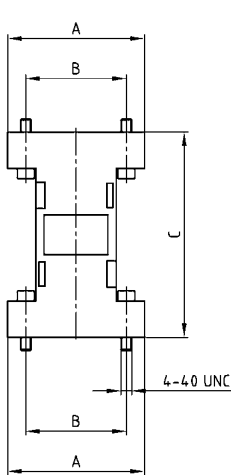


RoHS compliant – CSA listed, File No.: LR 115000-1 – UL listed, File No.: E202784

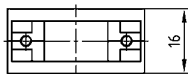
DESCRIPTION

- Adapter hood with large internal space inside for custom applications
- Material:
 - Plastic hood grey: ABS, UL 94 V-0
 - Plastic hood metallized: ABS, UL 94 V-0
- Fastening:
 - 4-40 UNC short screws
- Bulk or single packaged units

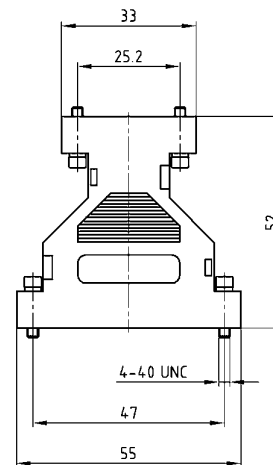
PRODUCT DRAWING



No. of pos.	A	B	C
09/09	34.00	25.00	53.00
15/15	41.30	33.30	52.00
25/25	55.60	47.00	53.00



9-25 pos.



ORDER DATA

D-SUB ADAPTER HOOD – GREY		
No. of pos.	Design 4-40 UNC	Part Number
09/09	Grey housing / Short screw	300 X 10729 X
15/15	Grey housing / Short screw	300 X 10739 X
25/25	Grey housing / Short screw	300 X 10749 X
09/25	Grey housing / Short screw	300 X 10759 X

D-SUB ADAPTER HOOD – METALLIZED		
No. of pos.	Design 4-40 UNC	Part Number
09/09	Metallized housing / Short screw	300 X 10779 X
15/15	Metallized housing / Short screw	300 X 10789 X
25/25	Metallized housing / Short screw	300 X 10799 X
09/25	Metallized housing / Short screw	300 X 10809 X

For single packaged add the letter „E“ at the end of the part number.

D-SUB PROTECTION CAP

Plastic design – 9-50 pos. – For use with shell size 1-5



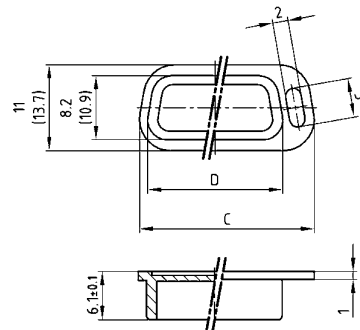
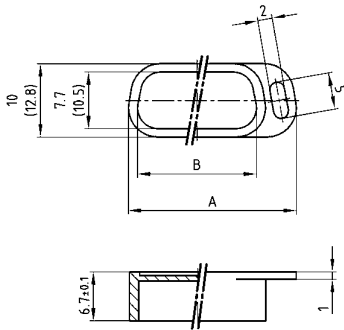
RoHS compliant

DESCRIPTION

- Dust cap protecting connector mounting area
- Material: TPE; UL94 V-0
- Color: Black
- Bulk packaged

FOR SOCKET CONNECTOR

FOR PLUG CONNECTOR



50 pos. = Dim. in (..)



No. of pos.	A	B	C	D
09	22.90	16.20	22.50	16.90
15	31.40	24.70	30.65	25.05
25	44.70	38.00	44.40	38.80
37	61.20	54.50	60.75	55.15
50	58.80	52.10	58.15	52.55

ORDER DATA

PROTECTION CAP FOR SOCKET CONNECTOR		
No. of pos.	Design	Part Number
09	Black / Plastic	160 X 10449 X
15	Black / Plastic	160 X 10459 X
25	Black / Plastic	160 X 10469 X
37	Black / Plastic	160 X 10479 X
50	Black / Plastic	160 X 10959 X

PROTECTION CAP FOR PLUG CONNECTOR		
No. of pos.	Design	Part Number
09	Black / Plastic	160 X 10409 X
15	Black / Plastic	160 X 10419 X
25	Black / Plastic	160 X 10429 X
37	Black / Plastic	160 X 10439 X
50	Black / Plastic	160 X 10969 X

D-SUB PROTECTION CAP

Plastic design – Shielded – 9-50 pos. – For use with shell size 1-5



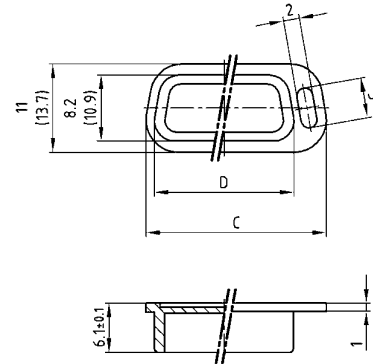
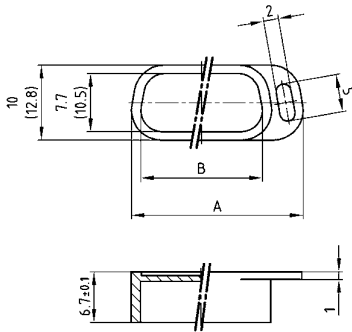
RoHS compliant

DESCRIPTION

- Shielded cap protecting against EMI/RFI as well as ESD
- Material: ABS, UL94 V-0; metallized
- Temperature range: -35°C... +85°C
- Bulk packaged

FOR SOCKET CONNECTOR

FOR PLUG CONNECTOR



50 pos. = Dim. in (..)



No. of pos.	A	B	C	D
09	22.90	16.20	22.50	16.90
15	31.40	24.70	30.65	25.05
25	44.70	38.00	44.40	38.80
37	61.20	54.50	60.75	55.15
50	58.80	52.10	58.15	52.55

ORDER DATA

PROTECTION CAP FOR SOCKET CONNECTOR		
No. of pos.	Design	Part Number
09	Metallized plastic	600 X 518009 X
15	Metallized plastic	600 X 518015 X
25	Metallized plastic	600 X 518025 X
37	Metallized plastic	600 X 518037 X
50	Metallized plastic	600 X 518050 X

PROTECTION CAP FOR PLUG CONNECTOR		
No. of pos.	Design	Part Number
09	Metallized plastic	600 X 517009 X
15	Metallized plastic	600 X 517015 X
25	Metallized plastic	600 X 517025 X
37	Metallized plastic	600 X 517037 X
50	Metallized plastic	600 X 517050 X

D-SUB SHIELDED CAP

Metal design – Shielded – 9-50 pos. – For use with shell size 1-5

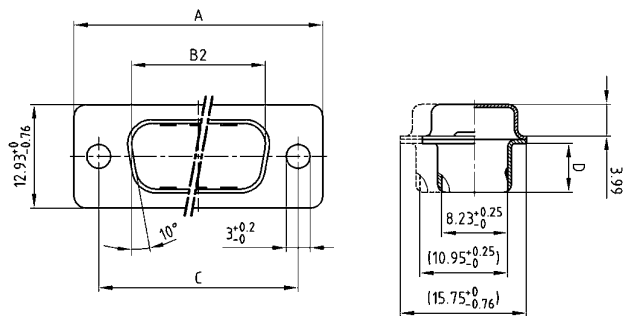


RoHS compliant

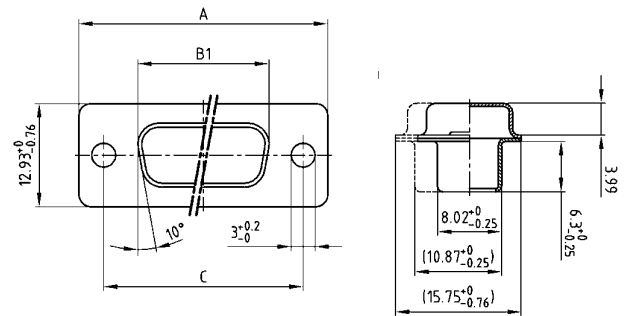
DESCRIPTION

- Shielded cap protecting against EMI/RFI
- Material: Steel tin plated
- Mounting style: with Through-hole \varnothing .118"/3.00 mm
- Bulk packaged

FOR SOCKET CONNECTOR



FOR PLUG CONNECTOR



50 pos. = Dim. in (..)

No. of pos.	A _{0.76}	B1 _{0.25}	B2 _{0.25}	C	D _{0.3}
09	31.19	16.46	16.79	25.00	6.12
15	39.52	24.79	25.12	33.30	6.12
25	53.42	38.50	38.84	47.04	5.99
37	69.70	54.96	55.30	63.50	5.99
50	67.31	52.55	52.68	61.10	5.99

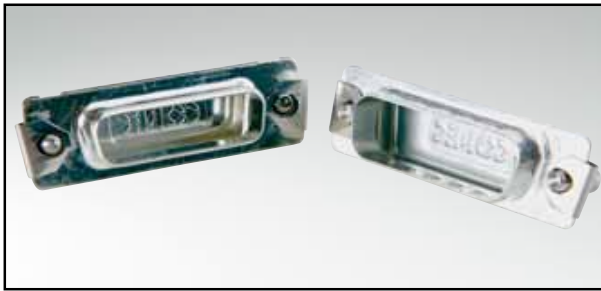
ORDER DATA

SHIELDED CAP FOR SOCKET CONNECTOR		
No. of pos.	Design	Part Number
09	Metal/Through-hole \varnothing .118"/3.00 mm	165 X 12969 X
15	Metal/Through-hole \varnothing .118"/3.00 mm	165 X 12979 X
25	Metal/Through-hole \varnothing .118"/3.00 mm	165 X 12989 X
37	Metal/Through-hole \varnothing .118"/3.00 mm	165 X 12999 X
50	Metal/Through-hole \varnothing .118"/3.00 mm	165 X 13009 X

SHIELDED CAP FOR PLUG CONNECTOR		
No. of pos.	Design	Part Number
09	Metal/Through-hole \varnothing .118"/3.00 mm	165 X 13129 X
15	Metal/Through-hole \varnothing .118"/3.00 mm	165 X 13139 X
25	Metal/Through-hole \varnothing .118"/3.00 mm	165 X 13149 X
37	Metal/Through-hole \varnothing .118"/3.00 mm	165 X 13159 X
50	Metal/Through-hole \varnothing .118"/3.00 mm	165 X 13169 X

D-SUB SHIELDED CAP

Metal design – Shielded – 9-50 pos. – For use with shell size 1-5 – Fastening screws

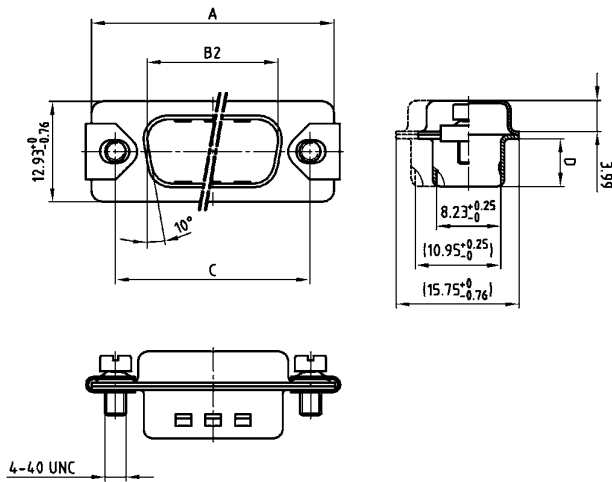


RoHS compliant

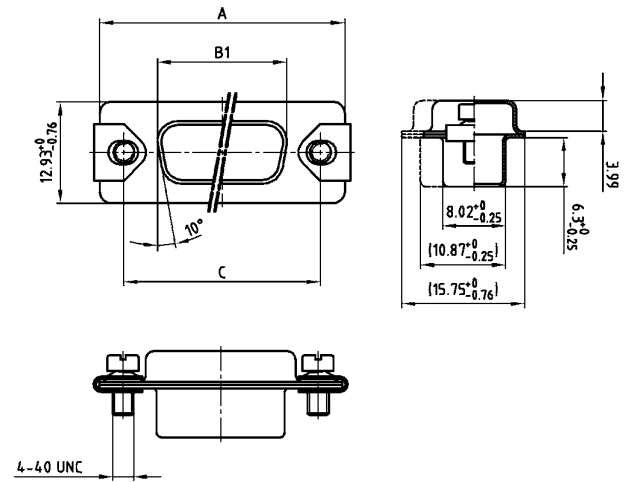
DESCRIPTION

- Shielded cap protecting against EMI/RFI
- Material: Steel tin plated
- Mounting style: with 4-40 UNC screw and clip
- Bulk packaged

FOR SOCKET CONNECTOR



FOR PLUG CONNECTOR



50 pos. = Dim. in (..)

No. of pos.	A _{0.76}	B1 _{0.25}	B2 _{0.25}	C	D _{0.3}
09	31.19	16.46	16.79	25.00	6.12
15	39.52	24.79	25.12	33.30	6.12
25	53.42	38.50	38.84	47.04	5.99
37	69.70	54.96	55.30	63.50	5.99
50	67.31	52.55	52.68	61.10	5.99

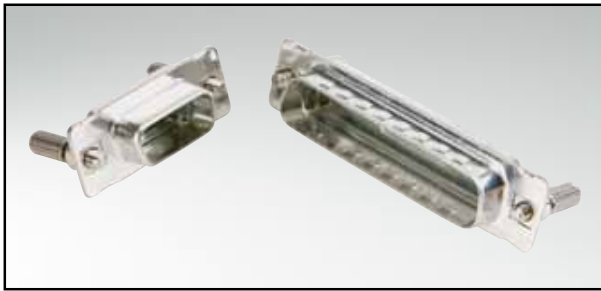
ORDER DATA

SHIELDED CAP FOR SOCKET CONNECTOR		
No. of pos.	Design 4-40 UNC	Part Number
09	Metal / Screw and clip	165 X 16719 X
15	Metal / Screw and clip	165 X 16729 X
25	Metal / Screw and clip	165 X 16739 X
37	Metal / Screw and clip	165 X 16749 X
50	Metal / Screw and clip	165 X 16759 X

SHIELDED CAP FOR PLUG CONNECTOR		
No. of pos.	Design 4-40 UNC	Part Number
09	Metal / Screw and clip	165 X 16769 X
15	Metal / Screw and clip	165 X 16779 X
25	Metal / Screw and clip	165 X 16789 X
37	Metal / Screw and clip	165 X 16799 X
50	Metal / Screw and clip	165 X 16809 X

D-SUB SHIELDED CAP

Metal design – Shielded – 9-50 pos. – For use with shell size 1-5 – Jack screws

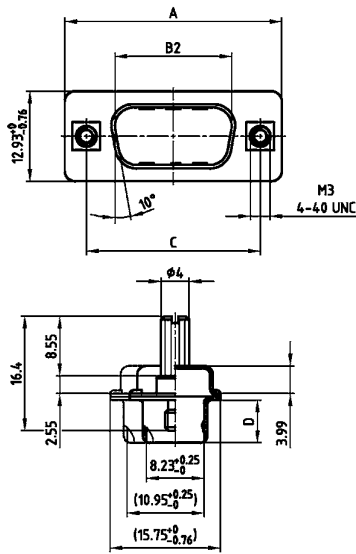


RoHS compliant

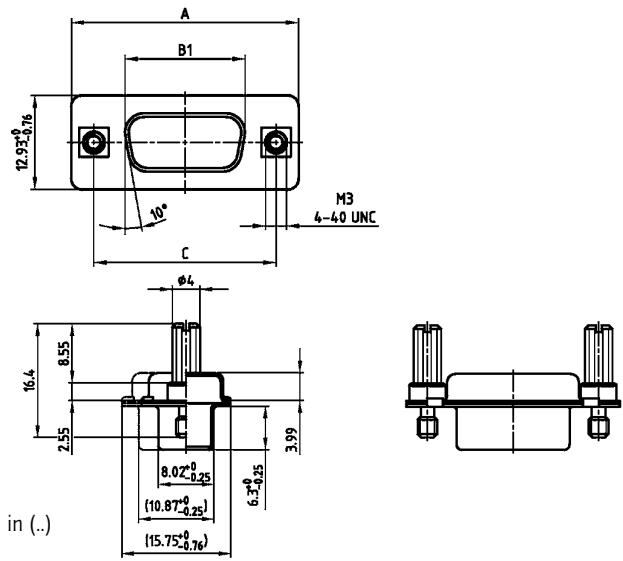
DESCRIPTION

- Shielded cap protecting against EMI/RFI
- Material: Steel tin plated
- Mounting style:
 - with jack screw M3 or
 - with jack screw 4-40 UNC
- Bulk packaged

FOR SOCKET CONNECTOR



FOR PLUG CONNECTOR



50 pos. = Dim. in (..)

No. of pos.	A _{0.76}	B1 _{0.25}	B2 _{0.25}	C	D _{0.3}
09	31.19	16.46	16.79	25.00	6.12
15	39.52	24.79	25.12	33.30	6.12
25	53.42	38.50	38.84	47.04	5.99
37	69.70	54.96	55.30	63.50	5.99
50	67.31	52.55	52.68	61.10	5.99

ORDER DATA

SHIELDED CAP FOR SOCKET CONNECTOR		
No. of pos.	Design	Part Number
09	Metal / M3 Jack screw	165 X 16859 X
15	Metal / M3 Jack screw	165 X 16869 X
25	Metal / M3 Jack screw	165 X 16879 X
37	Metal / M3 Jack screw	165 X 16889 X
50	Metal / M3 Jack screw	165 X 16899 X
09	Metal / 4-40 UNC Jack screw	165 X 16909 X
15	Metal / 4-40 UNC Jack screw	165 X 16919 X
25	Metal / 4-40 UNC Jack screw	165 X 16929 X
37	Metal / 4-40 UNC Jack screw	165 X 16939 X
50	Metal / 4-40 UNC Jack screw	165 X 16949 X

SHIELDED CAP FOR PLUG CONNECTOR		
No. of pos.	Design	Part Number
09	Metal / M3 Jack screw	165 X 16959 X
15	Metal / M3 Jack screw	165 X 16969 X
25	Metal / M3 Jack screw	165 X 16979 X
37	Metal / M3 Jack screw	165 X 16989 X
50	Metal / M3 Jack screw	165 X 16999 X
09	Metal / 4-40 UNC Jack screw	165 X 17009 X
15	Metal / 4-40 UNC Jack screw	165 X 17019 X
25	Metal / 4-40 UNC Jack screw	165 X 17029 X
37	Metal / 4-40 UNC Jack screw	165 X 17039 X
50	Metal / 4-40 UNC Jack screw	165 X 17049 X

D-SUB SHIELDED CAP

Metal design – Shielded – 9-50 pos. – For use with shell size 1-5 – Lanyard

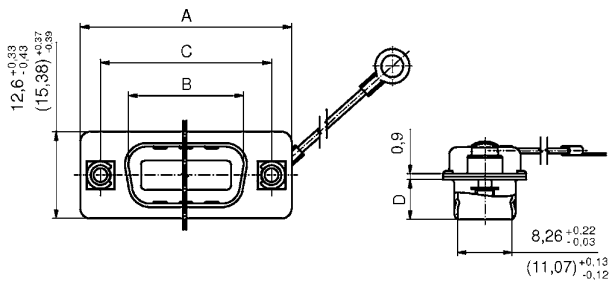


RoHS compliant

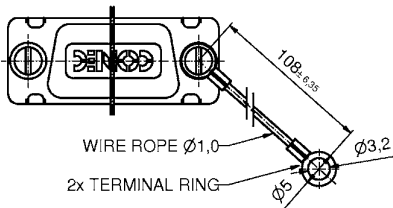
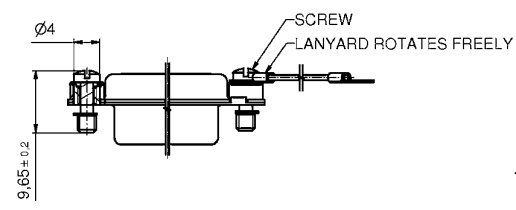
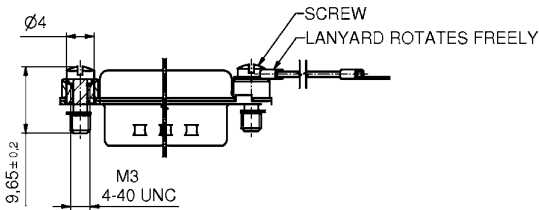
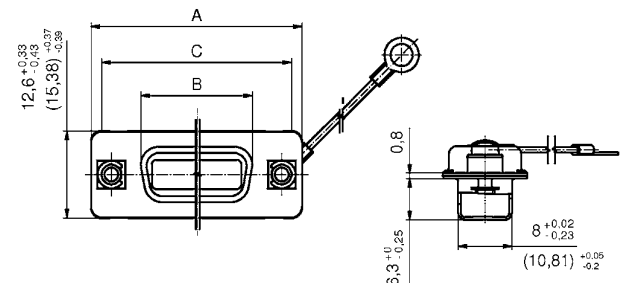
DESCRIPTION

- Shielded cap protecting against EMI/RFI
- Material:
 - Shell: Steel tin plated
 - Lanyard: Stainless steel
- Mounting style:
 - with steel screws M3 or
 - with short screws 4-40 UNC
- Bulk packaged

FOR SOCKET CONNECTOR

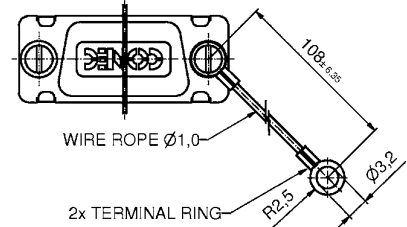


FOR PLUG CONNECTOR



50 pos. = Dim. in (..)

No. of pos.	A-0,76	B1-0,25	B2-0,25	C	D-0,3
09	31.19	16.79	16.46	25.00	6.12
15	39.52	25.12	24.79	33.30	6.12
25	53.42	38.84	38.50	47.04	5.99
37	69.70	55.30	54.96	63.50	5.99
50	67.00	52.81	52.50	61.11	6.12



ORDER DATA

SHIELDED CAP FOR SOCKET CONNECTOR		
No. of pos.	Design	Part Number
09	Metal / M3 Screw / Lanyard	16-001000
15	Metal / M3 Screw / Lanyard	16-001010
25	Metal / M3 Screw / Lanyard	16-001020
37	Metal / M3 Screw / Lanyard	16-001030
50	Metal / M3 Screw / Lanyard	16-001040
09	Metal / 4-40 UNC Screw / Lanyard	16-001050
15	Metal / 4-40 UNC Screw / Lanyard	16-001060
25	Metal / 4-40 UNC Screw / Lanyard	16-001070
37	Metal / 4-40 UNC Screw / Lanyard	16-001080
50	Metal / 4-40 UNC Screw / Lanyard	16-001090

SHIELDED CAP FOR PLUG CONNECTOR		
No. of pos.	Design	Part Number
09	Metal / M3 Screw / Lanyard	16-001100
15	Metal / M3 Screw / Lanyard	16-001110
25	Metal / M3 Screw / Lanyard	16-001120
37	Metal / M3 Screw / Lanyard	16-001130
50	Metal / M3 Screw / Lanyard	16-001140
09	Metal / 4-40 UNC Screw / Lanyard	16-001150
15	Metal / 4-40 UNC Screw / Lanyard	16-001160
25	Metal / 4-40 UNC Screw / Lanyard	16-001170
37	Metal / 4-40 UNC Screw / Lanyard	16-001180
50	Metal / 4-40 UNC Screw / Lanyard	16-001190

D-SUB SHIELDED CAP

Metal design – Shielded – Jack screw – Lanyard

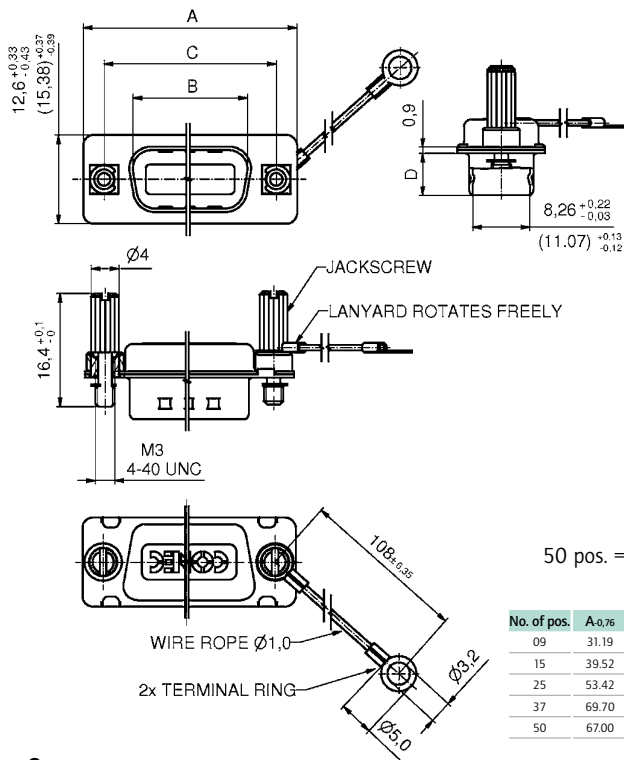


RoHS compliant

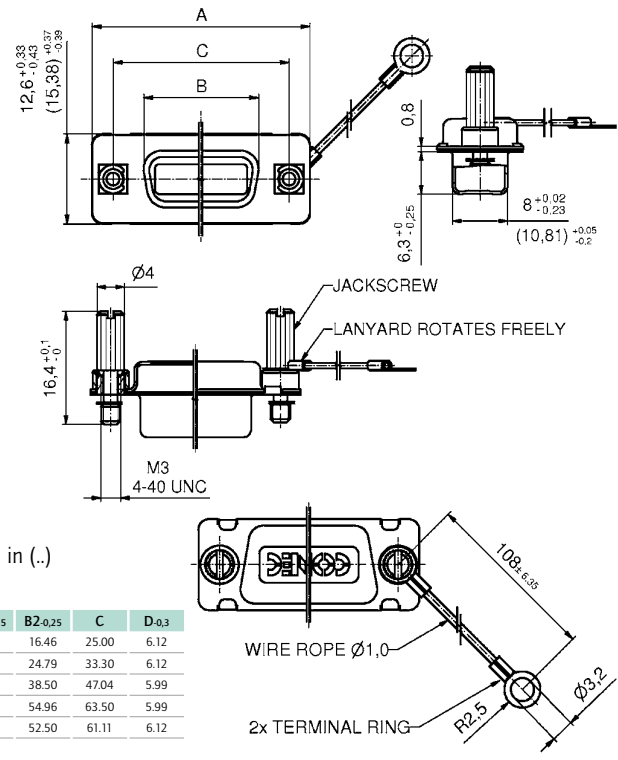
DESCRIPTION

- Shielded cap protecting against EMI/RFI
- Material:
 - Shell: Steel tin plated
 - Lanyard: Stainless steel
 - Screw: Steel or stainless steel
- Mounting style:
 - with M3 or 4-40 UNC Jack screw
- Bulk packaged

FOR SOCKET CONNECTOR



FOR PLUG CONNECTOR



50 pos. = Dim. in (..)

No. of pos.	A-0,76	B1-0,25	B2-0,25	C	D-0,3
09	31.19	16.79	16.46	25.00	6.12
15	39.52	25.12	24.79	33.30	6.12
25	53.42	38.84	38.50	47.04	5.99
37	69.70	55.30	54.96	63.50	5.99
50	67.00	52.81	52.50	61.11	6.12

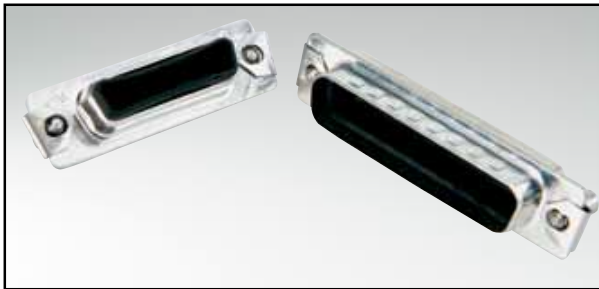
ORDER DATA

SHIELDED CAP FOR SOCKET CONNECTOR		
No. of pos.	Design	Part Number
09	Metal / M3 Jack screw steel / Lanyard	16-000790
15	Metal / M3 Jack screw steel / Lanyard	16-000800
25	Metal / M3 Jack screw steel / Lanyard	16-000810
37	Metal / M3 Jack screw steel / Lanyard	16-000820
50	Metal / M3 Jack screw steel / Lanyard	16-000830
09	Metal / 4-40 UNC Jack screw steel / Lanyard	16-000840
15	Metal / 4-40 UNC Jack screw steel / Lanyard	16-000850
25	Metal / 4-40 UNC Jack screw steel / Lanyard	16-000860
37	Metal / 4-40 UNC Jack screw steel / Lanyard	16-000870
50	Metal / 4-40 UNC Jack screw steel / Lanyard	16-000890
09	Metal / M3 Jack screw stainless steel / Lanyard	16-000230
15	Metal / M3 Jack screw stainless steel / Lanyard	16-000240
25	Metal / M3 Jack screw stainless steel / Lanyard	16-000250
37	Metal / M3 Jack screw stainless steel / Lanyard	16-000260
50	Metal / M3 Jack screw stainless steel / Lanyard	16-000270
09	Metal / 4-40 UNC Jack screw stainless steel / Lanyard	16-000280
15	Metal / 4-40 UNC Jack screw stainless steel / Lanyard	16-000290
25	Metal / 4-40 UNC Jack screw stainless steel / Lanyard	16-000300
37	Metal / 4-40 UNC Jack screw stainless steel / Lanyard	16-000310
50	Metal / 4-40 UNC Jack screw stainless steel / Lanyard	16-000320

SHIELDED CAP FOR PLUG CONNECTOR		
No. of pos.	Design	Part Number
09	Metal / M3 Jack screw steel / Lanyard	16-000900
15	Metal / M3 Jack screw steel / Lanyard	16-000910
25	Metal / M3 Jack screw steel / Lanyard	16-000920
37	Metal / M3 Jack screw steel / Lanyard	16-000930
50	Metal / M3 Jack screw steel / Lanyard	16-000940
09	Metal / 4-40 UNC Jack screw steel / Lanyard	16-000950
15	Metal / 4-40 UNC Jack screw steel / Lanyard	16-000960
25	Metal / 4-40 UNC Jack screw steel / Lanyard	16-000970
37	Metal / 4-40 UNC Jack screw steel / Lanyard	16-000980
50	Metal / 4-40 UNC Jack screw steel / Lanyard	16-000990
09	Metal / M3 Jack screw stainless steel / Lanyard	16-000330
15	Metal / M3 Jack screw stainless steel / Lanyard	16-000340
25	Metal / M3 Jack screw stainless steel / Lanyard	16-000350
37	Metal / M3 Jack screw stainless steel / Lanyard	16-000360
50	Metal / M3 Jack screw stainless steel / Lanyard	16-000370
09	Metal / 4-40 UNC Jack screw stainless steel / Lanyard	16-000380
15	Metal / 4-40 UNC Jack screw stainless steel / Lanyard	16-000390
25	Metal / 4-40 UNC Jack screw stainless steel / Lanyard	16-000400
37	Metal / 4-40 UNC Jack screw stainless steel / Lanyard	16-000410
50	Metal / 4-40 UNC Jack screw stainless steel / Lanyard	16-000420

D-SUB PROTECTION CAP – IP67

Metal design – Shielded – 9-50 pos. – For use with shell size 1-5 – Fastening screws

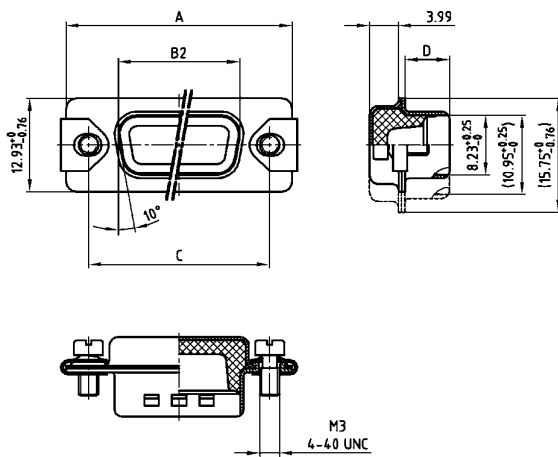


RoHS compliant

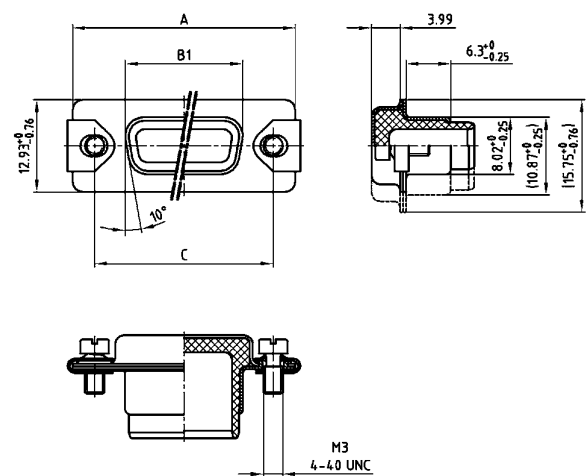
DESCRIPTION

- IP67 Protection cap with gasket
- EMI/RFI protection
- Material: Brass tin plated
- Mounting style:
with M3 or 4-40 UNC screw and stainless steel clip
- Bulk packaged

FOR SOCKET CONNECTOR



FOR PLUG CONNECTOR



50 pos. = Dim. in (..)

No. of pos.	A _{0.76}	B1 _{0.25}	B2 _{0.25}	C	D _{0.3}
09	31.19	16.46	16.79	25.00	6.12
15	39.52	24.79	25.12	33.30	6.12
25	53.42	38.50	38.84	47.04	5.99
37	69.70	54.96	55.30	63.50	5.99
50	67.31	52.55	52.68	61.10	5.99

ORDER DATA

PROTECTION CAP FOR SOCKET CONNECTOR IP67

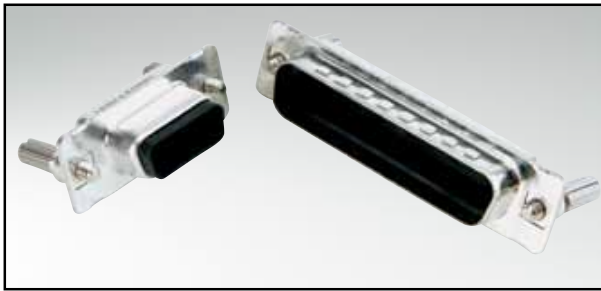
No. of pos.	Design	Part Number
09	Metal / M3 Screw and clip	165 X 16619 X
15	Metal / M3 Screw and clip	165 X 16629 X
25	Metal / M3 Screw and clip	165 X 16639 X
37	Metal / M3 Screw and clip	165 X 16649 X
50	Metal / M3 Screw and clip	165 X 16659 X
09	Metal / 4-40 UNC Screw and clip	165 X 14719 X
15	Metal / 4-40 UNC Screw and clip	165 X 14729 X
25	Metal / 4-40 UNC Screw and clip	165 X 14739 X
37	Metal / 4-40 UNC Screw and clip	165 X 14749 X
50	Metal / 4-40 UNC Screw and clip	165 X 14759 X

PROTECTION CAP FOR PLUG CONNECTOR IP67

No. of pos.	Design	Part Number
09	Metal / M3 Screw and clip	165 X 16669 X
15	Metal / M3 Screw and clip	165 X 16679 X
25	Metal / M3 Screw and clip	165 X 16689 X
37	Metal / M3 Screw and clip	165 X 16699 X
50	Metal / M3 Screw and clip	165 X 16709 X
09	Metal / 4-40 UNC Screw and clip	165 X 14769 X
15	Metal / 4-40 UNC Screw and clip	165 X 14779 X
25	Metal / 4-40 UNC Screw and clip	165 X 14789 X
37	Metal / 4-40 UNC Screw and clip	165 X 14799 X
50	Metal / 4-40 UNC Screw and clip	165 X 14809 X

D-SUB PROTECTION CAP – IP67

Metal design – Shielded – 9-50 pos. – For use with shell size 1-5 – Jack screw

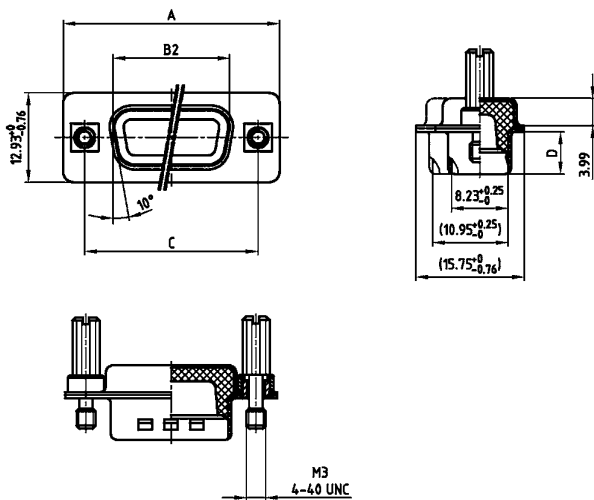


RoHS compliant

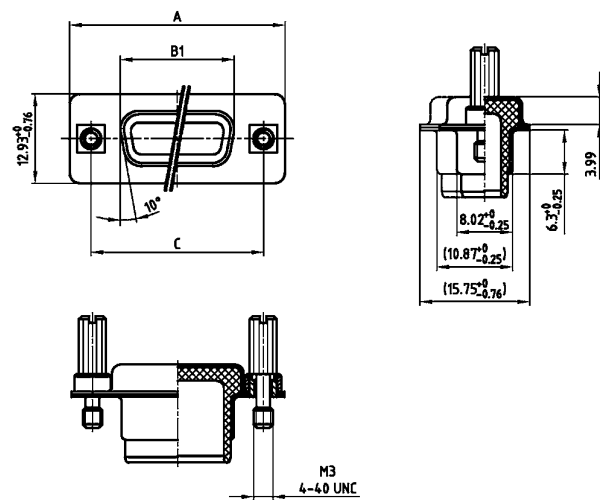
DESCRIPTION

- IP67 Protection cap with gasket
- EMI/RFI protection
- Material: Brass tin plated
- Mounting style:
with M3 or 4-40 UNC jack screws steel nickel plated
- Bulk packaged

FOR SOCKET CONNECTOR



FOR PLUG CONNECTOR



50 pos. = Dim. in (..)

No. of pos.	A-0.76	B1-0.25	B2-0.25	C	D-0.3
09	31.19	16.46	16.79	25.00	6.12
15	39.52	24.79	25.12	33.30	6.12
25	53.42	38.50	38.84	47.04	5.99
37	69.70	54.96	55.30	63.50	5.99
50	67.31	52.55	52.68	61.10	5.99

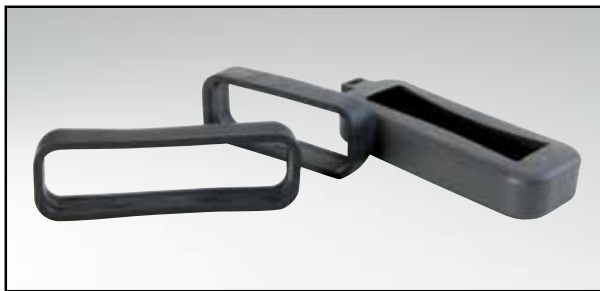
ORDER DATA

PROTECTION CAP FOR SOCKET CONNECTOR IP67		
No. of pos.	Design	Part Number
09	Metal / M3 Jack screw	165 X 17159 X
15	Metal / M3 Jack screw	165 X 17169 X
25	Metal / M3 Jack screw	165 X 17179 X
37	Metal / M3 Jack screw	165 X 17189 X
50	Metal / M3 Jack screw	165 X 17199 X
09	Metal / 4-40 UNC Jack screw	165 X 17109 X
15	Metal / 4-40 UNC Jack screw	165 X 17119 X
25	Metal / 4-40 UNC Jack screw	165 X 17129 X
37	Metal / 4-40 UNC Jack screw	165 X 17139 X
50	Metal / 4-40 UNC Jack screw	165 X 17149 X

SHIELDED CAP FOR PLUG CONNECTOR IP67		
No. of pos.	Design	Part Number
09	Metal / M3 Jack screw	165 X 17259 X
15	Metal / M3 Jack screw	165 X 17269 X
25	Metal / M3 Jack screw	165 X 17279 X
37	Metal / M3 Jack screw	165 X 17289 X
50	Metal / M3 Jack screw	165 X 17299 X
09	Metal / 4-40 UNC Jack screw	165 X 17209 X
15	Metal / 4-40 UNC Jack screw	165 X 17219 X
25	Metal / 4-40 UNC Jack screw	165 X 17229 X
37	Metal / 4-40 UNC Jack screw	165 X 17239 X
50	Metal / 4-40 UNC Jack screw	165 X 17249 X

D-SUB SHELL – IP67 ACCESSORIES

Protection cap and sealing – 9-50 pos. – Gasket refer to page 10|36



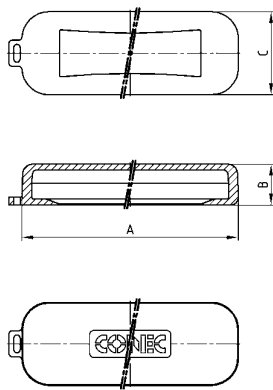
RoHS compliant

DESCRIPTION

- Protection cap for use with IP67 hoods
- Outside sealing as accessory for IP67 D-SUB Connector for front panel mounting
- Material: TPE
- Bulk packaged

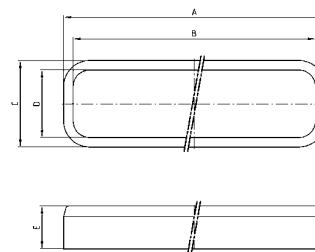
PRODUCT DRAWING

Protection cap



No. of pos.	A	B	C
09	44.56	12.60	25.60
15	52.86	12.60	25.60
25	66.60	12.60	25.60
37	82.66	12.60	25.60
50	80.26	12.60	28.40

Outside sealing



No. of pos.	A ±0.2	B ±0.2	C ±0.2	D ±0.2	E ±0.5
09	38.36	33.96	20.00	15.60	9.90
15	46.66	42.26	20.00	15.60	9.90
25	60.40	56.00	20.00	15.60	9.90
37	76.86	72.46	20.00	15.60	9.90
50	74.50	70.10	22.80	18.40	9.90

ORDER DATA

PROTECTION CAP		
No. of pos.	Design	Part Number
09	Protection cap	165 X 17509 X
15	Protection cap	165 X 17519 X
25	Protection cap	165 X 17529 X
37	Protection cap	165 X 17539 X
50	Protection cap	165 X 17549 X

OUTSIDE SEALING		
No. of pos.	Design	Part Number
09	Outside sealing	795-305420
15	Outside sealing	795-305490
25	Outside sealing	795-305580
37	Outside sealing	795-305640
50	Outside sealing	795-305710

D-SUB HARDWARE ACCESSORIES

Hex bolt-spacer – Screw locking



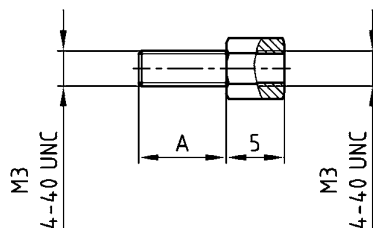
RoHS compliant – CSA listed, File No.: LR 115000-1 – UL listed, File No.: E202784

DESCRIPTION

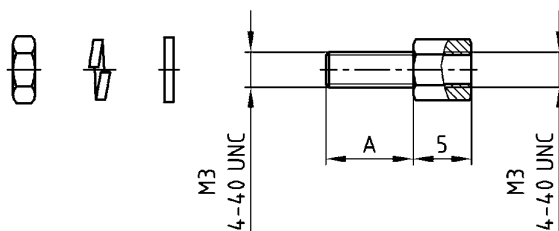
- Material: Steel nickel plated
- Delivery includes:
 - Single hex bolts
 - Set composed of each with
 - 2 hex bolts
 - 2 grommets
 - 2 spring rings
 - 2 nuts
- Bulk packaged

PRODUCT DRAWING

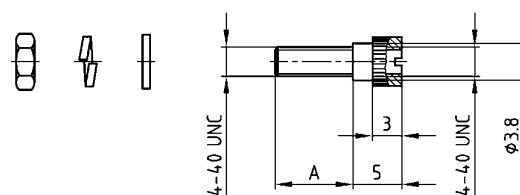
Single hex bolt



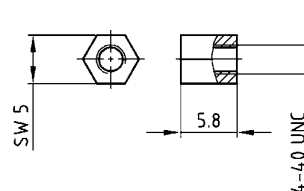
Single hex bolt set



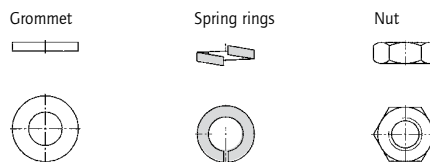
Screw locking set



Hex bolt nut .228"/5.8 mm



Accessories



ORDER DATA

SINGLE HEX BOLTS PACKAGING UNIT 200 PIECES

Length A	Internal / External thread	Part Number
.256" / 6.5 mm	4-40 UNC / 4-40 UNC	740-353770
.315" / 8.0 mm	4-40 UNC / 4-40 UNC	740-331370
.433" / 11.0 mm	4-40 UNC / 4-40 UNC	740-331570
.512" / 13.0 mm	4-40 UNC / 4-40 UNC	740-331870
.551" / 14.0 mm	4-40 UNC / 4-40 UNC	740-331670
.158" / 4.0 mm	M3 / M3	740-354470
.276" / 7.0 mm	M3 / M3	740-320570
.315" / 8.0 mm	M3 / M3	740-342470
.512" / 13.0 mm	M3 / M3	740-365270
.158" / 4.0 mm	4-40 UNC / M3	740-354370
.276" / 7.0 mm	4-40 UNC / M3	740-320170
.512" / 13.0 mm	4-40 UNC / M3	740-344970

SINGLE HEX BOLTS SET PACKAGING UNIT 100 PIECES

Length A	Internal / External thread	Part Number
.315" / 8.0 mm	4-40 UNC / 4-40 UNC	160 X 10359 X
.551" / 14.0 mm	4-40 UNC / 4-40 UNC	160 X 10639 X
.315" / 8.0 mm	M3 / M3	160 X 10529 X

SCREW LOCKING SET PACKAGING UNIT 100 PIECES

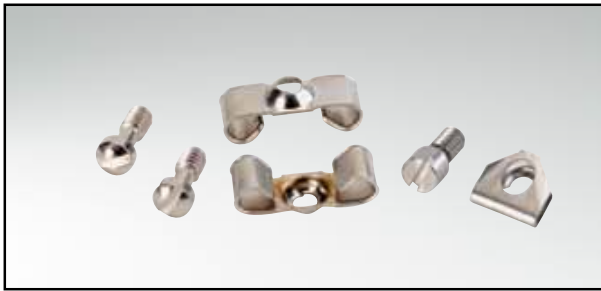
Length A	Internal / External thread	Part Number
.315" / 8.0 mm	4-40 UNC / 4-40 UNC	160 X 10329 X

OTHER ACCESSORIES PACKAGING UNIT 200 PIECES

Description	Part Number
Hex bolt nut .228" / 5.8 mm	160 X 10379 X
Grommet	765-329670
Spring ring	765-329570
4-40 UNC nut	765-329770
M3 nut	765-329870

D-SUB HARDWARE ACCESSORIES

Screw locking with clamp – 9-37, 50 pos. – Steel or stainless steel



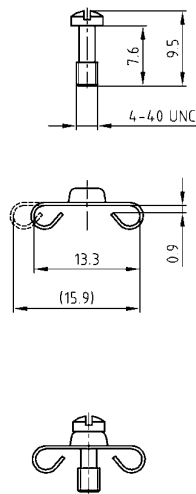
RoHS compliant – CSA listed, File No.: LR 115000-1 – UL listed, File No.: E202784

DESCRIPTION

- Two types available
 - Type 1: Steel
 - Type 2: Stainless steel
- Delivery includes:
 - Set consists of
 - 2 clamps
 - 2 screws
- Bulk packaged

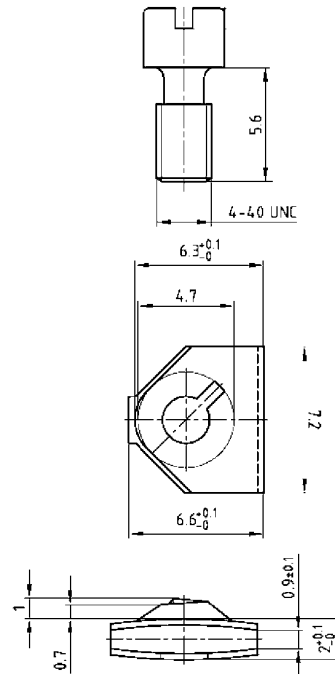
PRODUCT DRAWING

Type 1: Steel



50 pos. = Dim. in (..)

Type 2: Stainless steel



ORDER DATA

SCREW COUPLING WITH CLAMPS TYPE 1 - STEEL

No. of pos.	Design	4-40 UNC	Part Number
09-37	Type 1		160 X 10259 X
50	Type 1		160 X 10659 X

SCREW COUPLING WITH CLAMPS TYPE 2 - STAINLESS STEEL

No. of pos.	Design	4-40 UNC	Part Number
09-50	Type 2		160 X 00470 A

D-SUB HARDWARE ACCESSORIES

Spring locking

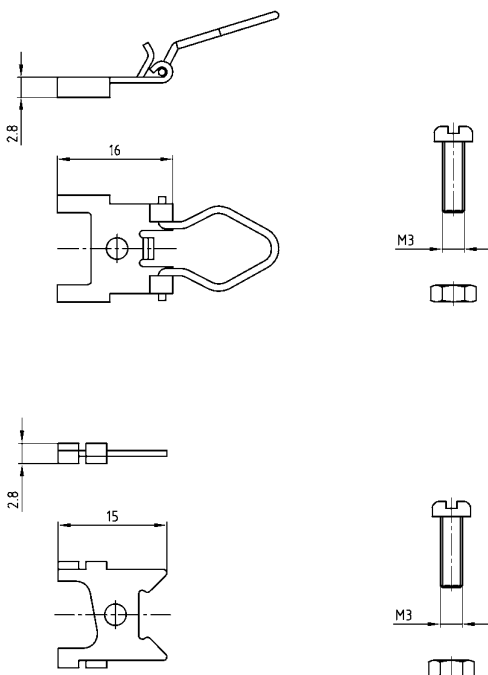


RoHS compliant – CSA listed, File No.: LR 115000-1 – UL listed, File No.: E202784

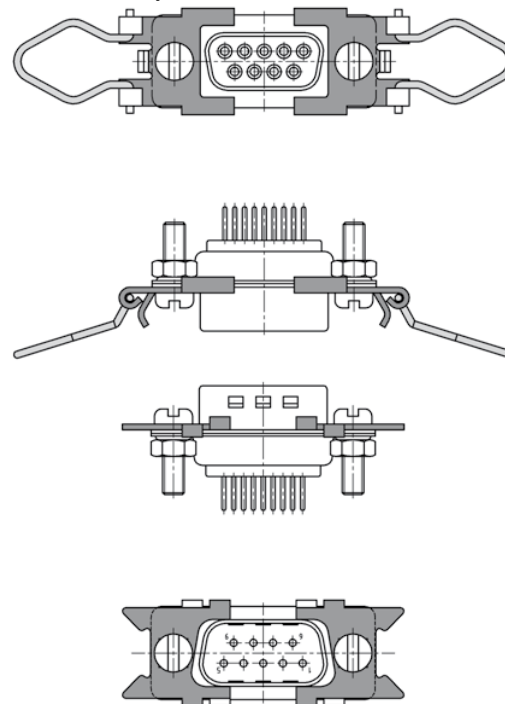
DESCRIPTION

- Steel
- Delivery includes:
 - Set consists of
 - 2 spring clips
 - 2 wire clamp holders
 - 2 clamps
 - 4 M3 screws
 - 4 M3 nuts
- Bulk packaged

PRODUCT DRAWING



View for assembly



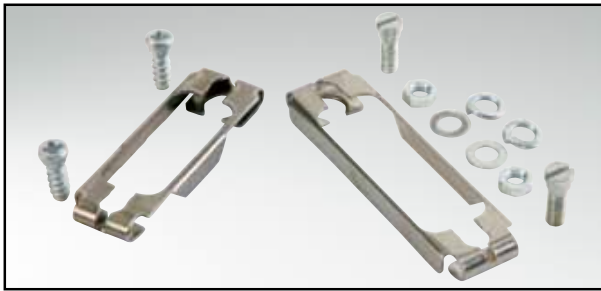
ORDER DATA

SPRING LOCKING

No. of pos.	Design	Part Number
09 - 37	Spring locking	160 X 10239 X

D-SUB HARDWARE ACCESSORIES

Slide lock with holding bolt – Mounting for 9-50 pos.



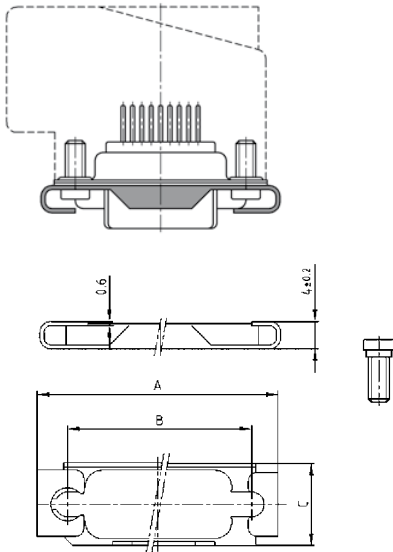
RoHS compliant – CSA listed, File No.: LR 115000-1 – UL listed, File No.: E202784

DESCRIPTION

- Slide lock set in two designs:
 - Type 3: 1 frame, 2 screws 4-40 UNC, 2 grommets, 2 spring rings, 2 4-40 UNC nuts
 - Type 4: 1 frame, 2 4-40 UNC screws, 2 grommets, 2 spring rings, 2 4-40 UNC nuts
- Holding bolt set consists of 2 hex bolts, 2 grommets, 2 spring rings, 2 nuts
- Bulk packaged

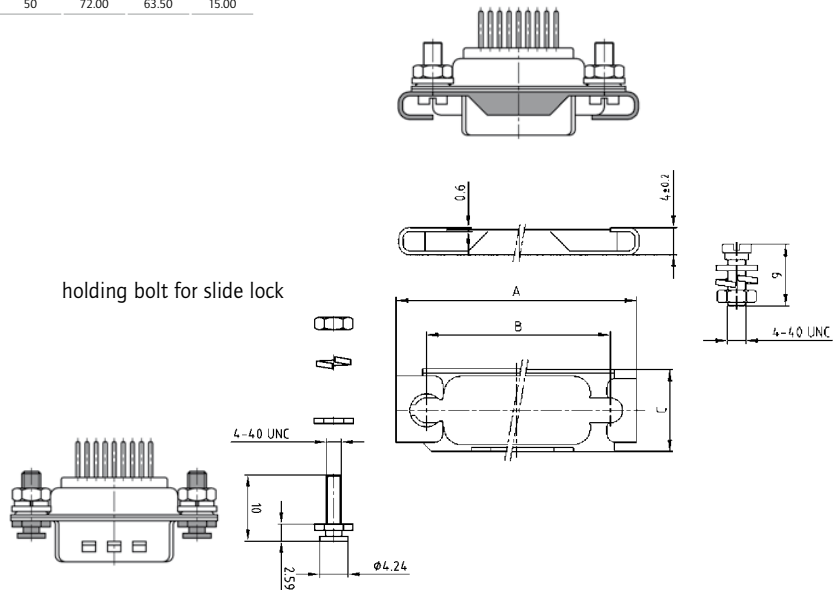
PRODUCT DRAWING

Type 3



No. of pos.	A	B	C
09	35.00	27.40	12.00
15	43.30	35.70	11.50
25	57.00	49.40	12.00
37	74.40	65.90	12.00
50	72.00	63.50	15.00

Type 4



ORDER DATA

SLIDE LOCK TYPE 3		
No. of pos.	Design	Part Number
09	Slide lock set type 3	160 X 10159 X
15	Slide lock set type 3	160 X 10169 X
25	Slide lock set type 3	160 X 10179 X
37	Slide lock set type 3	160 X 10189 X
50	Slide lock set type 3	160 X 10199 X

SLIDE LOCK TYPE 4		
No. of pos.	Design	Part Number
09	Slide lock set type 4	160 X 10689 X
15	Slide lock set type 4	160 X 10699 X
25	Slide lock set type 4	160 X 10709 X
37	Slide lock set type 4	160 X 10719 X
50	Slide lock set type 4	160 X 10729 X

HOLDING BOLT FOR SLIDE LOCK		
No. of pos.	Design	Part Number
09 - 50	Slide lock type 3 and type 4	160 X 10209 X

D-SUB HARDWARE ACCESSORIES

Snap locking for hoods with straight and side cable entry – 9-37, 50 pos.



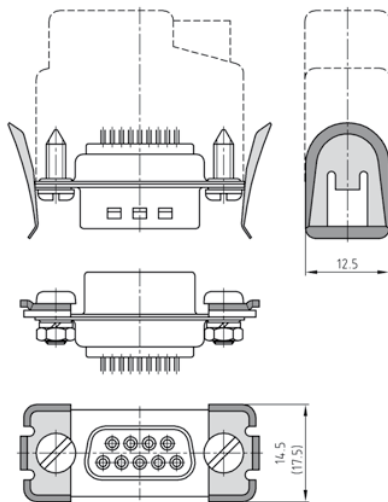
RoHS compliant – CSA listed, File No.: LR 115000-1 – UL listed, File No.: E202784

DESCRIPTION

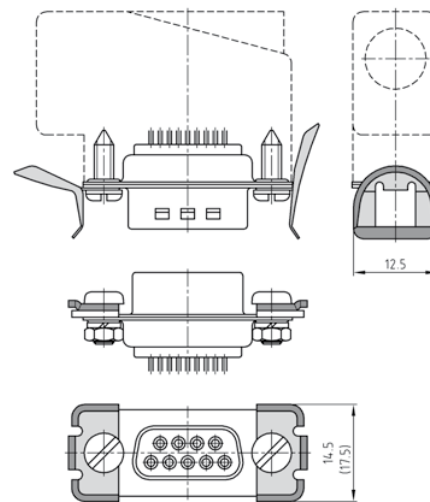
- Steel design
- Delivery includes:
 - Set consists of
 - 2 locking levers
 - 2 self threading screws
 - 2 snap-fits
 - 2 M3 screws
 - 2 spring rings
 - 2 M3 nuts
- Steel, nickel plated
- Bulk packaged

PRODUCT DRAWING

For straight Cable entry



For sided Cable entry



50 pos. = Dim. in (..)

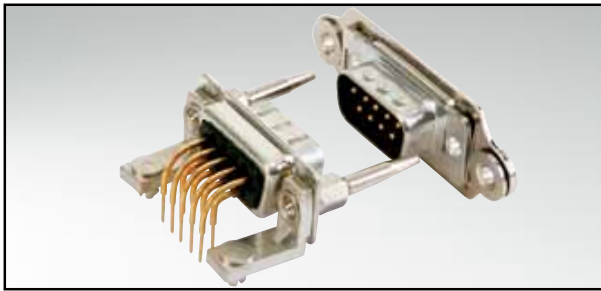
ORDER DATA

FOR STRAIGHT CABLE ENTRY		
No. of pos.	Design	Part Number
09 - 37	Snap in locking	160 X 10219 X
50	Snap in locking	160 X 10229 X

FOR SIDE CABLE ENTRY		
No. of pos.	Design	Part Number
09 - 37	Snap in locking	160 X 10609 X
50	Snap in locking	160 X 10619 X

D-SUB HARDWARE ACCESSORIES

Blind mating – Plug-in system – 9-50 pos.



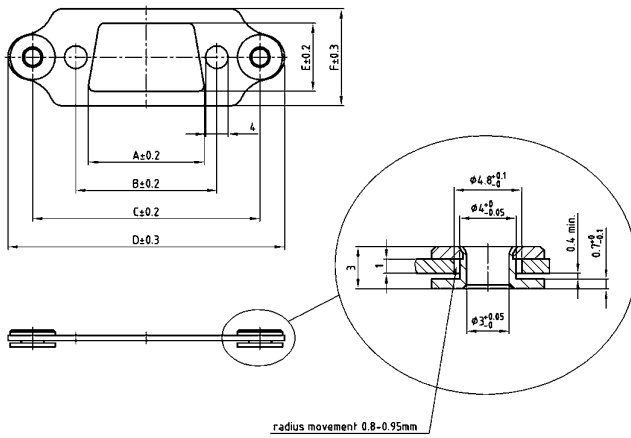
RoHS compliant – CSA listed, File No.: LR 115000-1 – UL listed, File No.: E202784

DESCRIPTION

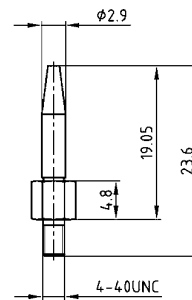
- Mounting for mating applications consist of frame, float mount and guide pins
- Material: Steel nickel plated
- Frame is factory assembled
- For additional versions please contact factory

PRODUCT DRAWING

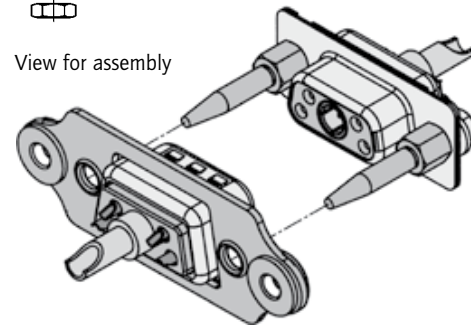
Frame



Guide post



View for assembly



No. of pos.	A +0.2	B +0.2	C +0.2	D +0.3	E +0.2	F +0.3
09	20.20	24.99	40.28	49.02	12.10	17.20
15	28.80	33.32	48.62	57.35	12.10	17.20
25	42.50	47.04	62.51	71.25	12.10	17.20
37	59.10	63.50	78.79	87.53	12.10	17.20
50	56.30	61.11	76.40	85.14	14.80	20.04

ORDER DATA

FRAME WITH FLOAT MOUNT		
No. of pos.	Design	Part Number
09	Blind mating frame	160 X 10889 X
15	Blind mating frame	160 X 10899 X
25	Blind mating frame	160 X 10909 X
37	Blind mating frame	160 X 10919 X
50	Blind mating frame	160 X 10929 X

GUIDING PIN		
No. of pos.	Design	Part Number
09 - 50	Blind mating guide posts	160 X 10949 X