

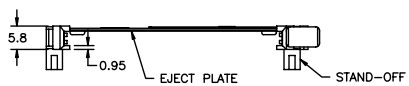
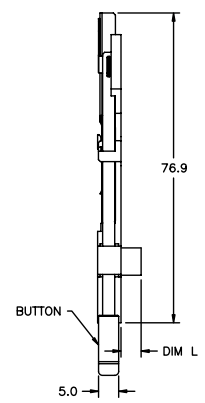
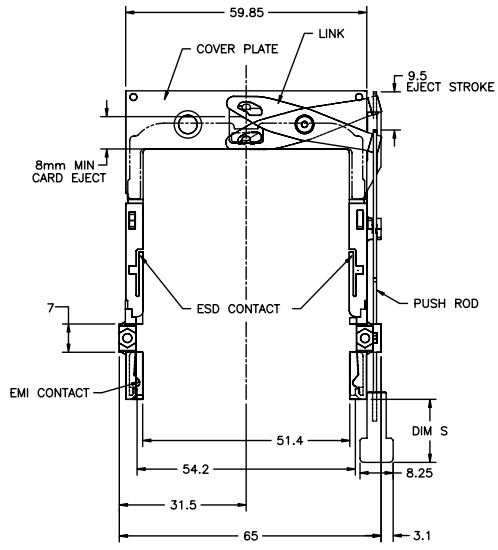
FCI CONFIDENTIAL

FCI

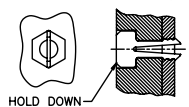
This document is the property of and embodies CONFIDENTIAL and PROPRIETARY information of FCI. No part of this information shall be disclosed, copied, or reproduced in any form or by any means without the written consent of FCI. Copyright FCI.

D

| PRODUCT NO. NOTE ⑤ | STAND-OFF DIM L | DIM S | BUTTON COLOR |
|-----------------------|--------------------|-------|--------------|
| 95079-00CA | 0 | 13 | BLACK |
| 95079-02CA | 2 | | |
| 95079-02CALF | 2 | | |
| 95079-04CA | 4 | | |
| 95079-05CA | 5 | 15.6 | BLACK |
| 95079-00DA | 0 | | |
| 95079-02DA | 2 | | |
| 95079-04DA | 4 | | |
| 95079-05DA | 5 | 21 | BLACK |
| 95079-00FA | 0 | | |
| 95079-02FA | 2 | | |
| 95079-04FA | 4 | | |
| 95079-05FA | 5 | 13 | NATURAL |
| 95079-00CH | 0 | | |
| 95079-02CH | 2 | | |
| 95079-04CH | 4 | | |
| 95079-05CH | 5 | 15.6 | NATURAL |
| 95079-00DH | 0 | | |
| 95079-02DH | 2 | | |
| 95079-04DH | 4 | | |
| 95079-05DH | 5 | 21 | NATURAL |
| 95079-00FH | 0 | | |
| 95079-02FH | 2 | | |
| 95079-04FH | 4 | | |
| 95079-05FH | 5 | | |



- NOTES:
- EJECT PLATE TO MOVE ALONG INSIDE WALL OF COVER PLATE SMOOTHLY AFTER ASSEMBLING WITH HEADER.
 - MATERIAL:
PLASTIC GUIDES: POLYPHTHARAMIDE UL94V-0 BLACK
COVER PLATE: STAINLESS STEEL
EMI CONTACT: PHOSPHOR BRONZE
 - FINISH:
EMI CONTACT:
CONTACT AREA: 0.5um Au
UNDER PLATING: 2.0um Ni
 - ADD "H" TO PART NUMBER FOR OPTIONAL HOLD-DOWN (2 PER ASSEMBLY).



- RECOMMENDED SCREW TORQUE: 1.0 TO 1.5 MAX in-lbs. (1.2-1.7 cm-kgs).

| mat'l. code | | surface | tolerance | projection | product family |
|-------------|----------|---------|-----------|------------|--------------------|
| F | V91417 | CGC | 7/2/99 | | |
| G | V03-0522 | WL | 05/29/03 | | |
| H | T03-0485 | WL | 11/03/03 | | |
| J | N06-0034 | M Z | 02/13/06 | chr | Mike Zhou 05/28/06 |
| K | N06-0135 | M Z | 05/25/06 | engr | Mike Zhou 05/28/06 |
| L | N06-0110 | M Z | 06/29/06 | chr | Mike Zhou 05/28/06 |
| | | appd | Qin David | 05/28/06 | |
| sheet | revision | L | K | A | |
| index | sheet | 1 | 2 | 3 | |

| tolerances unless otherwise specified | projection | product family |
|--|------------|-------------------|
| angles linear | ±0.15 | |
| | MM | |
| | scale | |
| title | | |
| NARROW BODY FRONT EJECT TYPE 123 MECHANISM ASS'Y | | |
| dwg no | | sheet 1 of 3 size |
| 95079 | | A4 |
| type CUSTOMER | | Drawing |

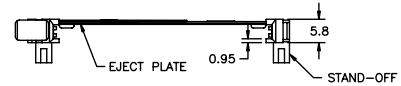
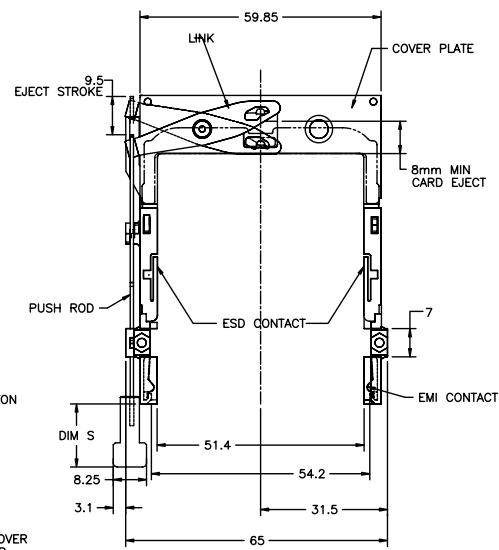
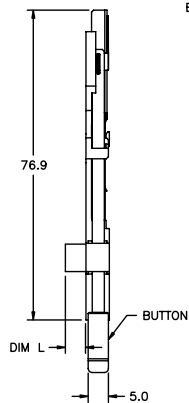
FCI CONFIDENTIAL

FCI

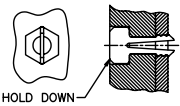
FCI

D

| PRODUCT NO. NOTE ③ | STAND-OFF DIM L | DIM S | BUTTON COLOR |
|-----------------------|--------------------|-------|--------------|
| 95079-10CA | 0 | 13 | BLACK |
| 95079-10CALF | 0 | | |
| 95079-12CA | 2 | | |
| 95079-14CA | 4 | | |
| 95079-15CA | 5 | | |
| 95079-15CAH | 5 | 15.6 | BLACK |
| 95079-10DA | 0 | | |
| 95079-12DA | 2 | | |
| 95079-14DA | 4 | | |
| 95079-15DA | 5 | | |
| 95079-10FA | 0 | 21 | BLACK |
| 95079-12FA | 2 | | |
| 95079-14FA | 4 | | |
| 95079-15FA | 5 | | |
| 95079-10CH | 0 | | |
| 95079-12CH | 2 | | |
| 95079-14CH | 4 | | |
| 95079-15CH | 5 | | |
| 95079-10DH | 0 | 15.6 | NATURAL |
| 95079-12DH | 2 | | |
| 95079-14DH | 4 | | |
| 95079-15DH | 5 | | |
| 95079-10FH | 0 | | |
| 95079-12FH | 2 | | |
| 95079-14FH | 4 | | |
| 95079-15FH | 5 | | |



- NOTES:
- EJECT PLATE TO MOVE ALONG INSIDE WALL OF COVER PLATE SMOOTHLY AFTER ASSEMBLING WITH HEADER.
 - MATERIAL:
PLASTIC GUIDES: POLYPHTHARAMIDE UL94V-0 BLACK
COVER PLATE: STAINLESS STEEL
EMI CONTACT: PHOSPHOR BRONZE
 - FINISH:
EMI CONTACT:
CONTACT AREA: 0.5um Au
UNDER PLATING: 2.0um Ni
 - ADD "H" TO PART NUMBER FOR OPTIONAL HOLD DOWN (2 PER ASSEMBLY).



- RECOMMENDED SCREW TORQUE: 1.0 TO 1.5 MAX in-lbs. (1.2-1.7 cm-kgs).

| mat'l. code | surface | tolerance | projection | product family |
|---------------------------------------|-----------|-----------|------------|---|
| ltr | ecr | no | dr | date |
| tolerances unless otherwise specified | | | | title |
| K | angles | linear | ±0.15 | NARROW BODY FRONT EJECT TYPE 123 MECHANISM ASS'Y |
| | ±2' | scale | MM | |
| dir | Mike Zhou | 05/28/06 | | |
| engr | Mike Zhou | 05/28/06 | | 95079 |
| chr | Mike Zhou | 05/28/06 | | |
| appd | Qin David | 05/28/06 | | type CUSTOMER |
| sheet | revision | | | sheet 2 of 3 |
| index | sheet | | | size A4 |

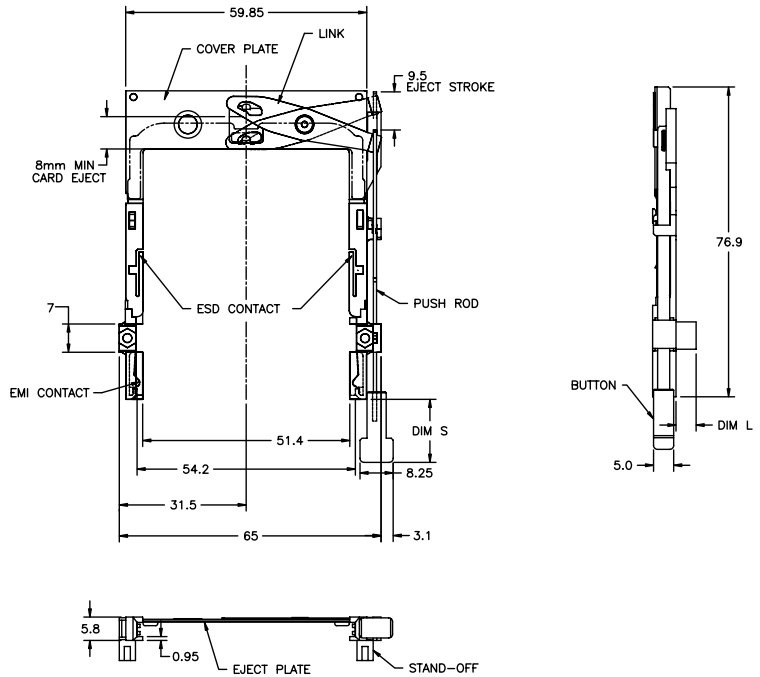
FCI CONFIDENTIAL

FCI

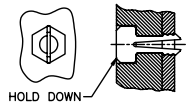
FCI

D

| PRODUCT NO. NOTE ⑤ | STAND-OFF DIM L | DIM S | BUTTON COLOR |
|-----------------------|--------------------|-------|--------------|
| 95079-00MCA | 0 | 13 | BLACK |



- NOTES:
- EJECT PLATE TO MOVE ALONG INSIDE WALL OF COVER PLATE SMOOTHLY AFTER ASSEMBLING WITH HEADER.
 - MATERIAL:
PLASTIC GUIDES: POLYPHTHARAMIDE UL94V-0 BLACK
COVER PLATE: STAINLESS STEEL
EMI CONTACT: PHOSPHOR BRONZE
 - FINISH:
EMI CONTACT:
CONTACT AREA: 0.5um Au
UNDER PLATING: 2.0um Ni
 - ADD "H" TO PART NUMBER FOR OPTIONAL HOLD DOWN (2 PER ASSEMBLY).



- RECOMMENDED SCREW TORQUE: 1.0 TO 1.5 MAX in-lbs. (1.2-1.7 cm-kgs).

| | | | | |
|---------------------------------------|-----------|-----------|--|-------------------|
| mat'l. code | surface | tolerance | projection | product family |
| ltr | ecr | no | dr | date |
| tolerances unless otherwise specified | | | | title |
| angles | | | | ±0.15 |
| linear | | | | MM |
| ±2' | | | | scale |
| clr | Mike Zhou | 05/25/06 | NARROW BODY FRONT EJECT TYPE 123 MECHANISM ASS'Y | |
| engr | Mike Zhou | 05/25/06 | dwg no | sheet 3 of 3 size |
| chr | Mike Zhou | 05/25/06 | 95079 | A4 |
| appd | Qin David | 05/25/06 | type | CUSTOMER Drawing |
| sheet | revision | | | |
| index | sheet | | | |

PDM: Rev:L STATUS Released Printed: Oct 12, 2010 6