



**380-115**  
**EMI/RFI Non-Environmental Backshell**  
**with Strain Relief**  
**Type B - Rotatable Coupling - Low Profile**

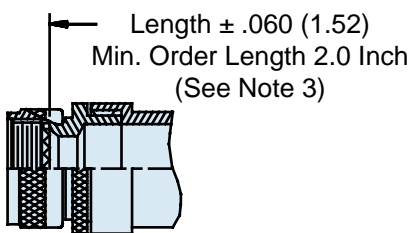
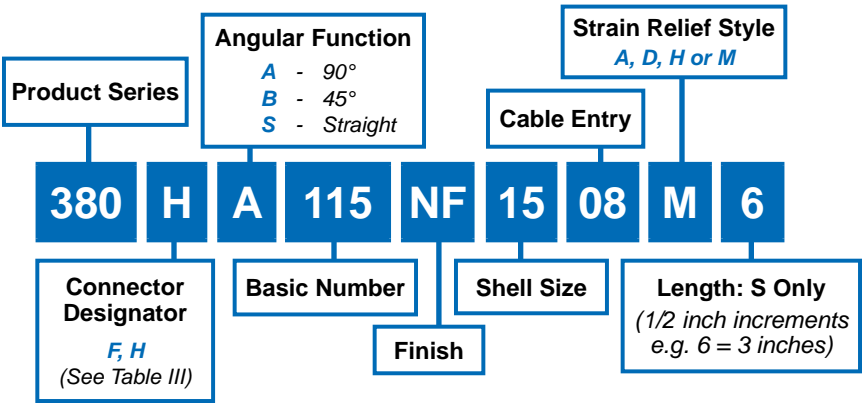
**CONNECTOR  
DESIGNATORS**

MIL-DTL-38999 Series I, II (F)  
MIL-DTL-38999 Series III and IV (H)

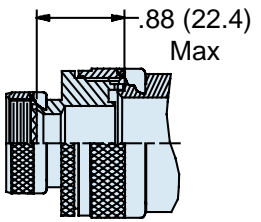
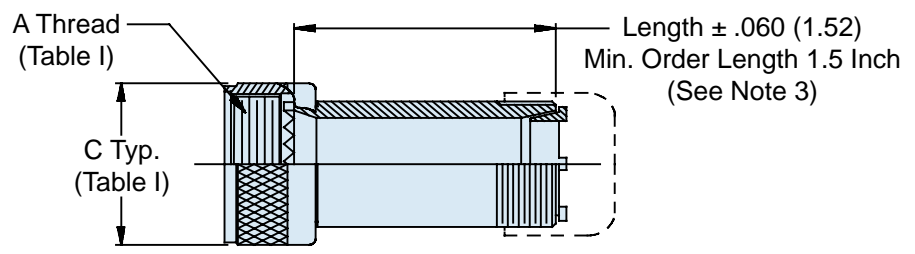
**F-H**

**ROTATABLE  
COUPLING**

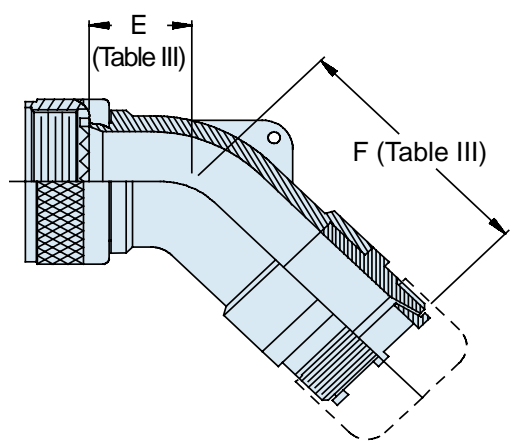
**TYPE B INDIVIDUAL  
AND/OR OVERALL  
SHIELD TERMINATION**



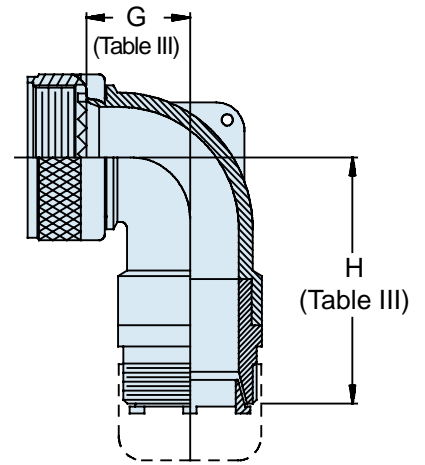
**STYLE 2**  
**(STRAIGHT)**  
See Note 1)



**STYLE 2**  
**(45° & 90°)**  
See Note 1)



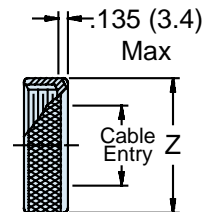
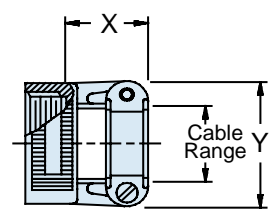
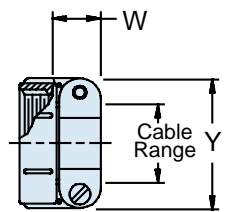
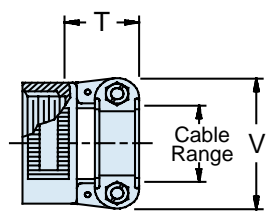
**STYLE H**  
**Heavy Duty**  
(Table IV)



**STYLE A**  
**Medium Duty**  
(Table IV)

**STYLE M**  
**Medium Duty**  
(Table IV)

**STYLE D**  
**Medium Duty**  
(Table IV)



© 2008 Glenair, Inc. CAGE CODE 06324 Printed in U.S.A.

**GLENAIR, INC. • 1211 AIR WAY • GLENDALE, CA 91201-2497 • 818-247-6000 • FAX 818-500-9912**  
www.glenair.com **G-18** E-Mail: sales@glenair.com



# 380-115

## EMI/RFI Non-Environmental Backshell with Strain Relief

### Type B - Rotatable Coupling - Low Profile



**TABLE III: ELBOW DIMENSIONS**

Connector Designator F	Connector Designator H	E Max	F Max	G Max	H Max
08	09	.457 (11.6)	1.674 (42.5)	.500 (12.7)	1.684 (42.8)
10	11	.520 (13.2)	1.734 (44.0)	.595 (15.1)	1.804 (45.8)
12	13	.582 (14.8)	1.794 (45.6)	.610 (15.5)	1.824 (46.3)
14	15	.645 (16.4)	1.884 (47.9)	.700 (17.8)	1.894 (48.1)
16	17	.738 (18.7)	1.994 (50.6)	.885 (22.5)	1.984 (50.4)
18	19	.926 (23.5)	2.184 (55.5)	.975 (24.8)	2.154 (54.7)
20	21	.926 (23.5)	2.184 (55.5)	.975 (24.8)	2.154 (54.7)
22	23	1.020 (25.9)	2.334 (59.3)	1.125 (28.6)	2.264 (57.5)
24	25	1.020 (25.9)	2.334 (59.3)	1.125 (28.6)	2.264 (57.5)
28		1.145 (29.1)	2.384 (60.6)	1.225 (31.1)	2.434 (61.8)
32		1.207 (30.7)	2.484 (63.1)	1.575 (40.0)	2.684 (68.2)
36		1.238 (31.4)	2.574 (65.4)	1.775 (45.1)	2.684 (68.2)

**TABLE II: FINISHES**

Symbol	Finish
B	Cadmium Plate, Olive Drab
C	Anodize, Black
GB	Black Anodize, Hard Coat
M	Electroless Nickel
N	Cad Plate, Olive Drab over Electroless Nickel
NF	Cadmium Plate, Olive Drab over Electroless Nickel
MT	Ni-PTFE 1000 Hour Grey™ Nickel Fluorocarbon Polymer
ZN	Zinc-Nickel

**TABLE IV: CABLE CLAMP CABLE RANGE**

Dash No.	T Max	V Max	Cable Range	
			Min	Max
04	.780 (19.8)	.957 (24.3)	.125 (3.2)	.312 (7.9)
06	.780 (19.8)	1.145 (29.1)	.250 (6.4)	.437 (11.1)
08	.780 (19.8)	1.332 (33.8)	.312 (7.9)	.562 (14.3)
10	.780 (19.8)	1.332 (33.8)	.350 (8.9)	.625 (15.9)
12	.811 (20.6)	1.551 (39.4)	.500 (12.7)	.750 (19.1)
16	.905 (23.0)	1.770 (45.0)	.625 (15.9)	.937 (23.8)
20	1.092 (27.7)	2.113 (53.7)	.875 (22.2)	1.250 (31.8)
24	1.124 (28.5)	2.363 (60.0)	1.000 (25.4)	1.375 (34.9)
28	1.399 (35.5)	2.770 (70.4)	1.250 (31.8)	1.625 (41.3)
32	1.399 (35.5)	3.020 (76.7)	1.437 (36.5)	1.875 (47.6)

**APPLICATION NOTES**

1. When maximum cable entry is exceeded, Style II will be supplied. Dimensions F, G, H and J will not apply. Please consult factory.
2. Cable range is defined as the accommodation range for the wire bundle or cable. Dimensions shown are not intended for inspection criteria.
3. Consult factory about shorter lengths on straight backshells.
4. Metric dimensions (mm) are indicated in parentheses.

**TABLE IV (Continued): CABLE CLAMP CABLE RANGE**

Dash No.	W Max	X Max	Y Max	Z Max	Cable Range	
					Min**	Max
03*	.437 (11.1)	.760 (19.3)	.843 (21.4)	.630 (16.0)	.156 (4.0)	.250 (6.4)
04*	.437 (11.1)	.760 (19.3)	.906 (23.0)	.755 (19.2)	.188 (4.8)	.312 (7.9)
06*	.500 (12.7)	.760 (19.3)	1.093 (27.8)	.942 (23.9)	.281 (7.1)	.438 (11.1)
08	.563 (14.3)	.760 (19.3)	1.187 (30.1)	1.067 (27.1)	.344 (8.7)	.562 (14.3)
10	.563 (14.3)	.760 (19.3)	1.281 (32.5)	1.192 (30.3)	.375 (9.5)	.625 (15.9)
12	.563 (14.3)	.760 (19.3)	1.500 (38.1)	1.380 (35.1)	.438 (11.1)	.750 (19.1)
16	.656 (16.7)	1.073 (27.3)	1.719 (43.7)	1.535 (39.0)	.562 (14.3)	.938 (23.8)
20	.656 (16.7)	1.323 (33.6)	2.062 (52.4)	1.848 (46.9)	.750 (19.1)	1.250 (31.8)
24	.656 (16.7)	1.323 (33.6)	2.312 (58.7)	2.255 (57.3)	.781 (19.8)	1.375 (34.9)
28	1.188 (30.2)	1.572 (39.9)	2.719 (69.1)	2.505 (63.6)	.969 (24.6)	1.625 (41.3)
32*	1.187 (30.1)	1.572 (39.9)	2.969 (75.4)	2.755 (70.0)	1.125 (28.6)	1.875 (47.6)
40*	1.125 (28.6)	1.572 (39.9)	3.531 (89.7)	3.255 (82.7)	1.469 (37.3)	2.375 (60.3)

\* Not available in Style M clamp.

\*\* Not Applicable Style D

