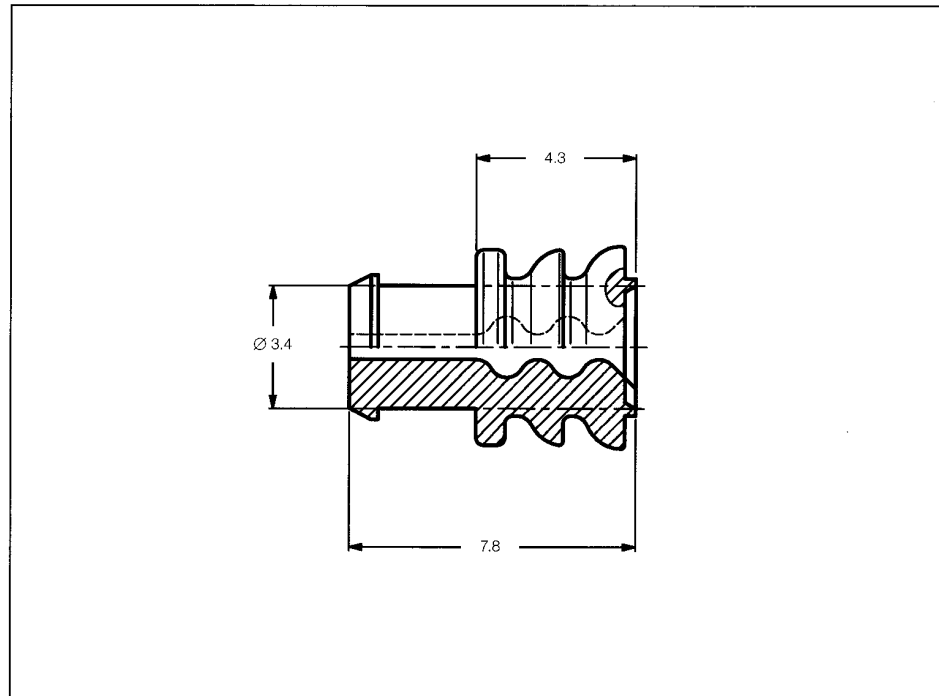


Single Wire Seals and Cavity Plugs

**Single Wire Seals  
and Cavity Plugs  
for AMP MCP 2.8  
Contact System  
(Several Cavity Diameters)**



Insulation Diameter (mm)	Color	Part Number	Package Quantity
1.2-2.1	Blue	828904-1	1,000
		828904-2	10,000
2.2-3.0	White	828905-1	10,000
3.0-3.7	Green	828985-1	5,000
Cavity Plug	Natural	828922-1	10,000
	Brown	828986-1	5,000