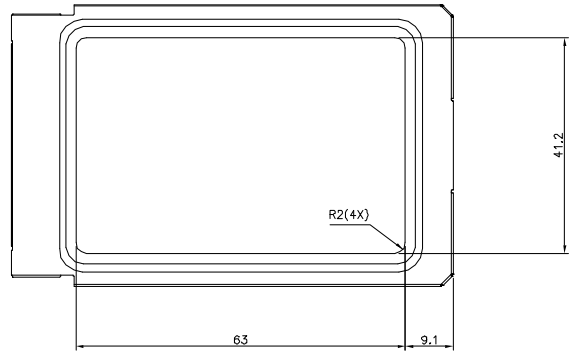
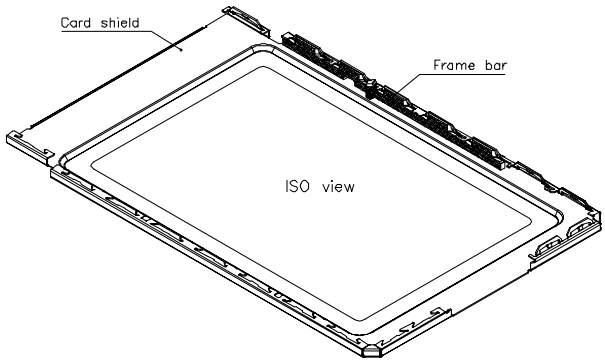
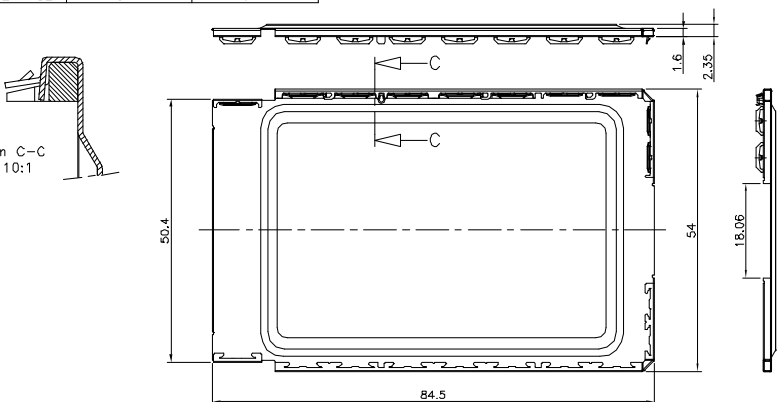
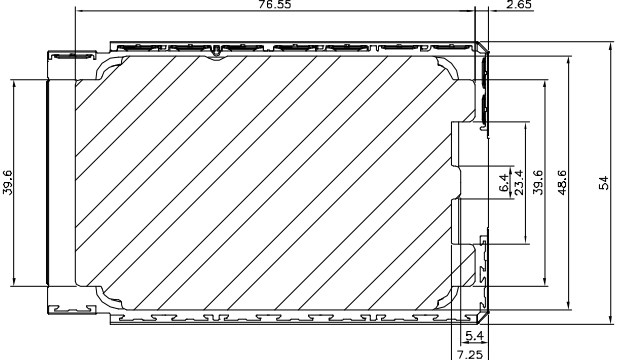


Product number	Insulator	Label recess	Product number	Packaging
83808-2100LF	no	no	83808-xxxxLF	1000 Rocard Shield/Box
83808-2101LF	yes	no	83808-xxxxSLF	200 Rocard Shield/Box
83808-2110LF	no	yes		
83808-2111LF	yes	yes		

Section C-C
Scale 10:1



Version: Label recess
(maximum label thickness 0.07 mm)



Version: Insulator
(thickness 0.07 mm)

MatL code	surface	tolerance	projection	product family
litr	ecm	no	dr	date
A	H80049	CCA	98.02.12	
B	F80195	CCA	98.04.08	
C	F90323	DLE	99.05.04	
D	F10514	DLE	01.09.07	dr
E	F05-0254	DLE	02.09.26	enat
F	F05-0158	DLE	06.02.27	enat
G	F05-0248	DLE	04.07.28	enat
sheet	revision			
index	sheet			

title
ROCARD SHIELD
TYPE II, 1x1/0

scale 2:1

mm

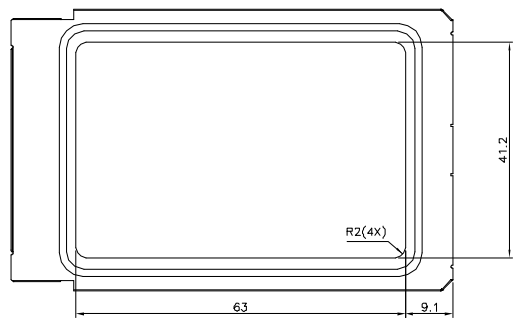
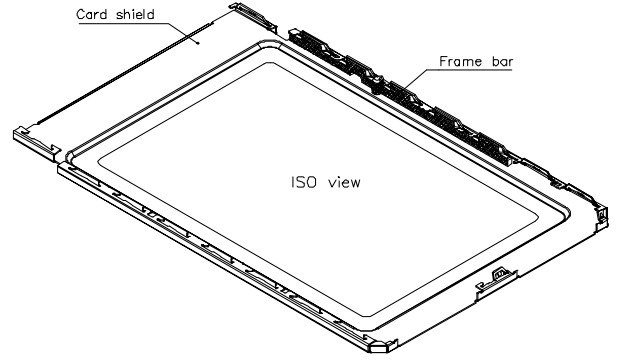
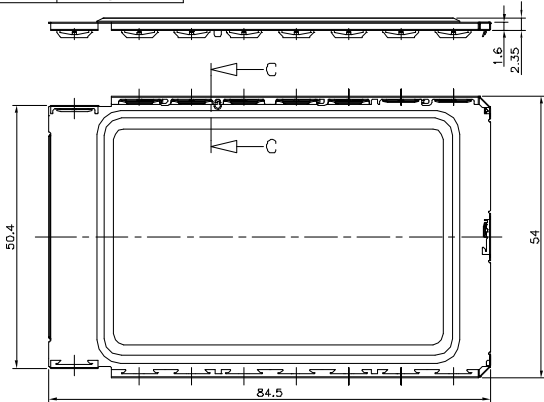
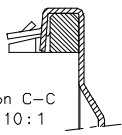
product family
PCMCIA

dwg no
83808

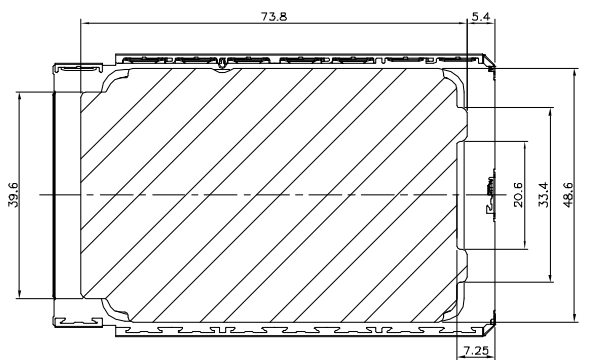
sheet 2 of - size
Az

type
CUSTOMER Drawing

Product number	Insulator	Label recess	Product number	Packaging
83808-22000LF	no	no	83808-xxxxLF	1000 Rocard Shield/Box
83808-22010LF	yes	no	83808-xxxxSLF	200 Rocard Shield/Box
83808-22100LF	no	yes		
83808-22110LF	yes	yes		



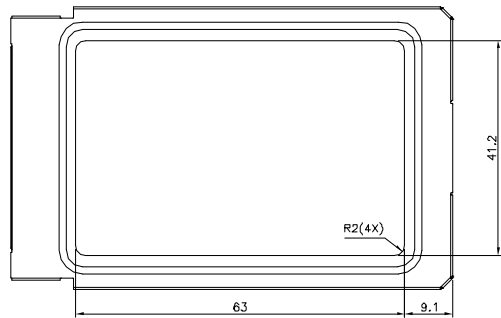
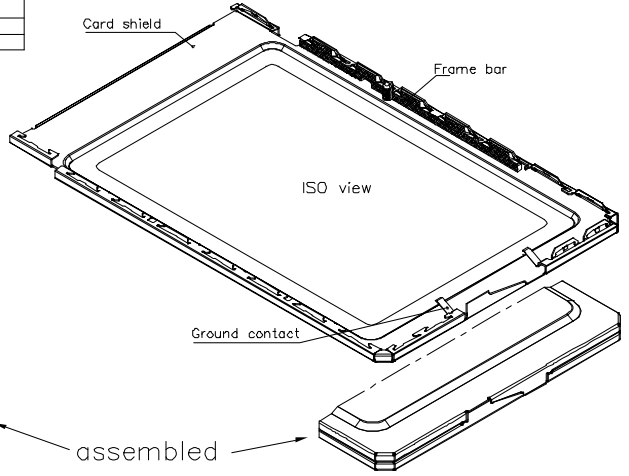
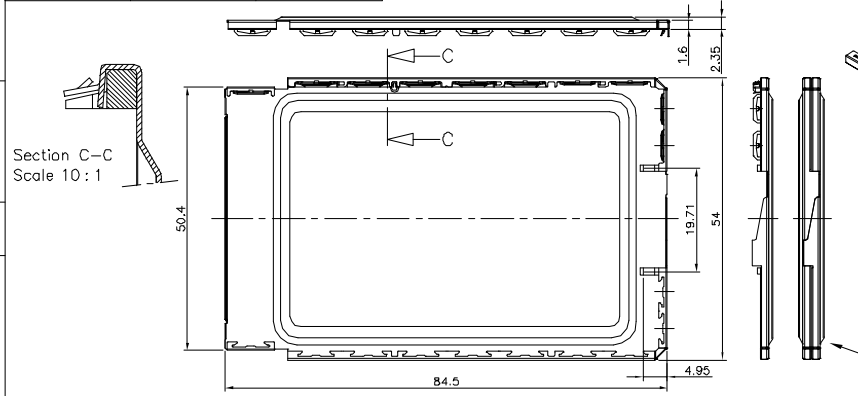
Version: Label recess
(maximum label thickness 0.07 mm)



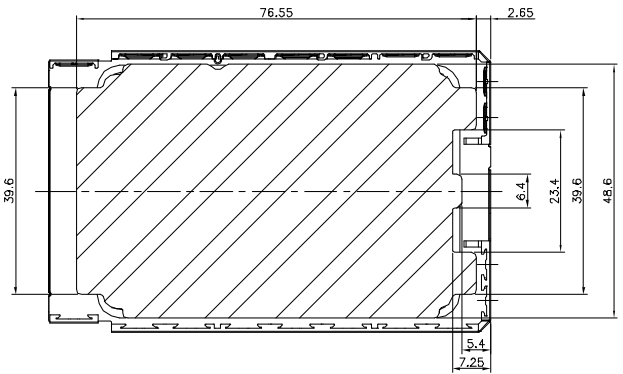
Version: Insulator
(thickness 0.07 mm)

MatL code	surface	tolerance	projection	product family
litr	iso 1302	iso 46	iso 10	PCMCIA
ecm no	date	tolerance unless otherwise specified	mm	ROCARD SHIELD
A	08.02.12	Linear	scale 2:1	TYPE II, 2xl/0
B	08.04.08			dwg no 83808
C	09.05.04			sheet 3 of - size Az
D	01.09.07	H VEREUKEN	06.02.12	type CUSTOMER Drawing
E	05.09.26	F HAUTER	09.05.04	
F	06.02.27	D LESTRANO	09.05.04	
G	04.07.28	F HAUTER	09.05.04	
sheet	revision			
index	sheet			

Product number	Insulator	Label recess	Product number	Packaging
83808-20000LF	no	no	83808-xxxxLF	1000 Rocard Shield/Box
83808-20010LF	yes	no	83808-xxxxSLF	200 Rocard Shield/Box
83808-20100LF	no	yes		
83808-20110LF	yes	yes		



Version: Label recess
(maximum label thickness 0.07 mm)

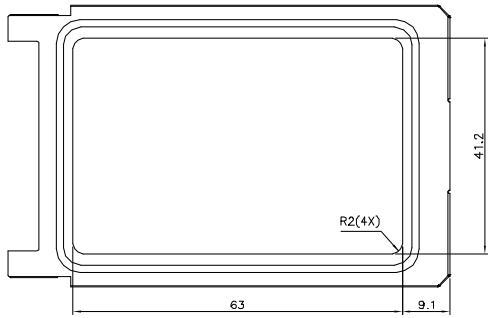
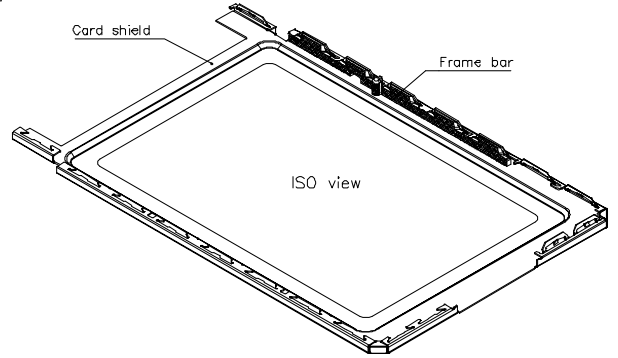
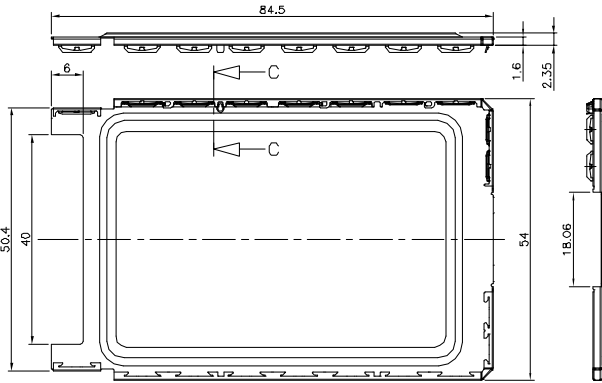
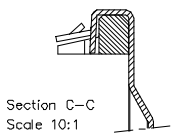


Version: Insulator
(thickness 0.07 mm)

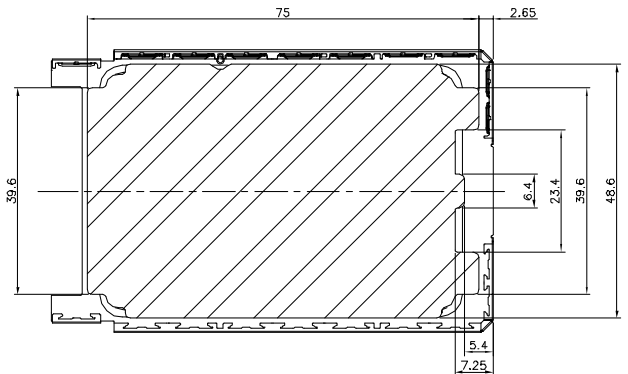
MatL code	surface	tolerance	projection	product family
ltr	ecm	no	dr	date
A	H80049	CCA	98.02.12	angle
B	F80190	CCA	98.04.08	Linear
C	F90323	DLE	99.05.04	scale 2:1
D	F10514	DLE	01.09.07	dr
E	F05-0254	DLE	02.09.26	EMAT
F	F08-0158	DLE	06.02.27	EMAT
G	F08-0248	DLE	04.07.28	EMAT
sheet	revision			
index	sheet			

title
ROCARD SHIELD
TYPE II, CLOSED END
product family
PCMCIA
dwg no
83808
sheet 4 of - size
Az
type
CUSTOMER Drawing

Product number	Insulator	Label recess	Product number	Packaging
83808-21001LF	no	no	83808-xxxxLF	1000 Rocard Shield/Box
83808-21011LF	yes	no	83808-xxxxSLF	200 Rocard Shield/Box
83808-21101LF	no	yes		
83808-21111LF	yes	yes		



Version: Label recess
(maximum label thickness 0.07 mm)



Version: Insulator
(thickness 0.07 mm)

MatL code	surface	tolerance	projection	product family
ltr	ecm	no	dr	date
A	H80049	CCA	98.02.12	
B	F80195	CCA	98.04.08	
C	F80323	DLE	99.05.04	
D	F10514	DLE	01.09.07	dr
E	F05-0254	DLE	02.09.26	enat
F	F05-0158	DLE	06.02.27	kn
G	F05-0248	DLE	04.07.28	rippe
sheet	revision			
index	sheet			

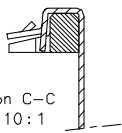
tolerance	ISO 1802	unles	otherwise	specified
mm				
scale	2:1			

title	product family
ROCARD SHIELD TYPEII,1XI/D,CARDBUS	PCMCIA

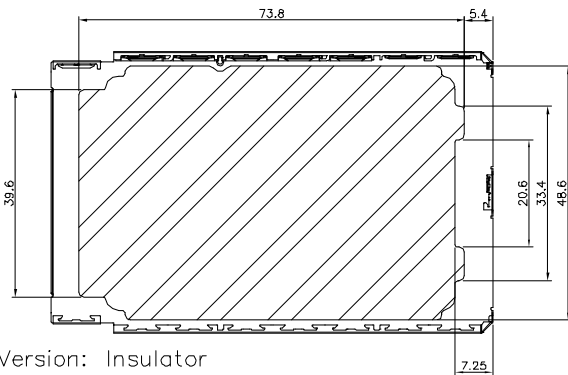
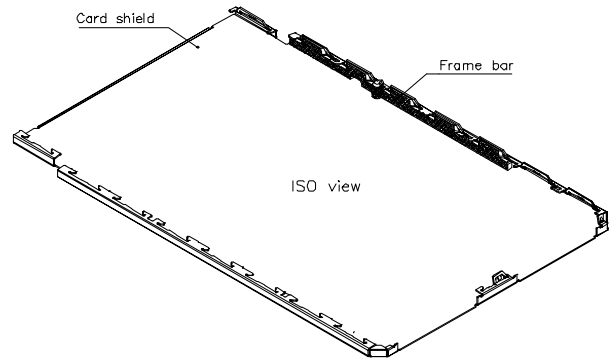
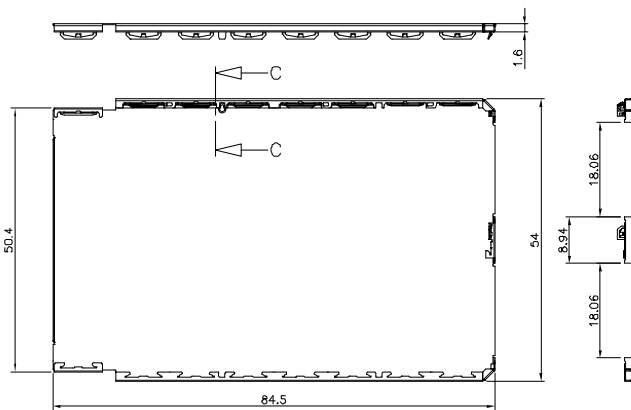
dwg no	sheet	of	size
83808	5	Az	

type
CUSTOMER Drawing

Product number	Insulator	Product number	Packaging
83808-12000LF	no	83808-xxxxLF	1000 Rocard Shield/Box
83808-12010LF	yes	83808-xxxxLFS	200 Rocard Shield/Box



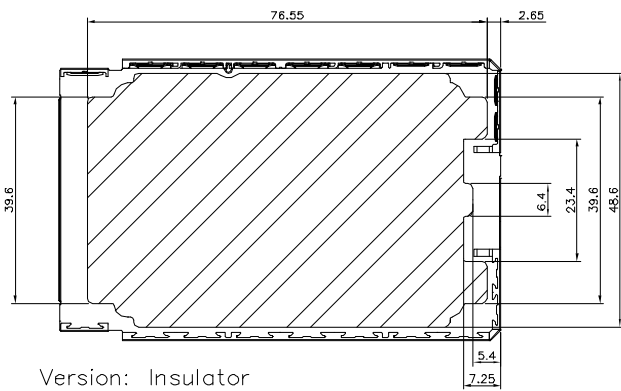
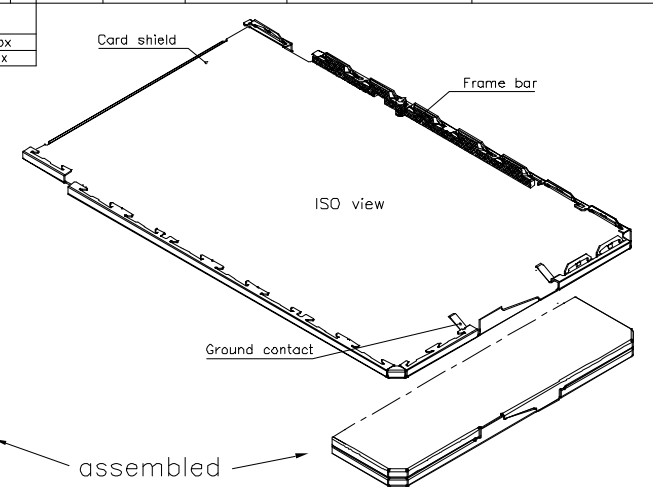
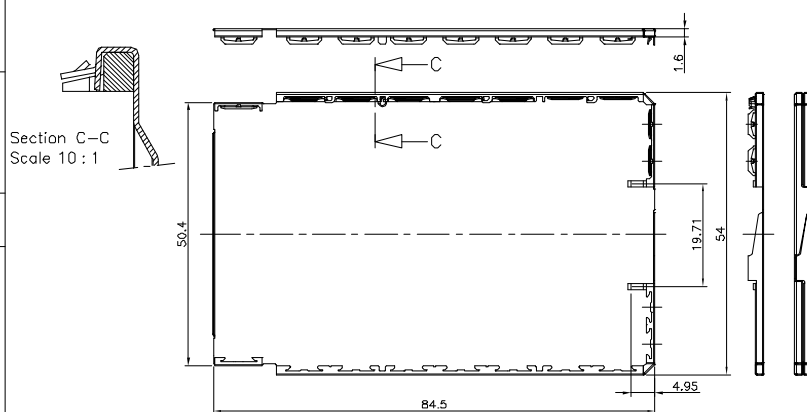
Section C-C
Scale 10:1



Version: Insulator
(thickness 0.07 mm)

MatL code	surface	tolerance	projection	product family
litr	iso 1802	iso 446	iso 10	PCMCIA
ecm no	date	tolerance unless otherwise specified	angle	title
A F80195	06.04.08			ROCARD SHIELD
B F90233	01.09.04	Linear	mm	TYPE 1, 2x1/0
C F10914	01.09.07		scale 2:1	
D F05-024	06.09.26	dr		dwg no
E F08-0136	06.02.27	enat		83808
F F08-0248	06.07.28	enr		sheet 8 of - size
		rippe		Az
sheet	revision	type		CUSTOMER Drawing
index	sheet			

Product number	Insulator	Product number	Packaging
83808-1000LF	no	83808-xxxxLF	1000 Rocard Shield/Box
83808-10010LF	yes	83808-xxxxSLF	200 Rocard Shield/Box

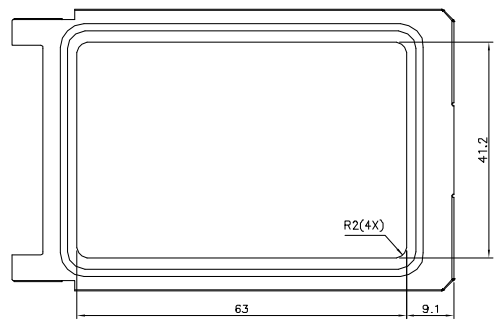
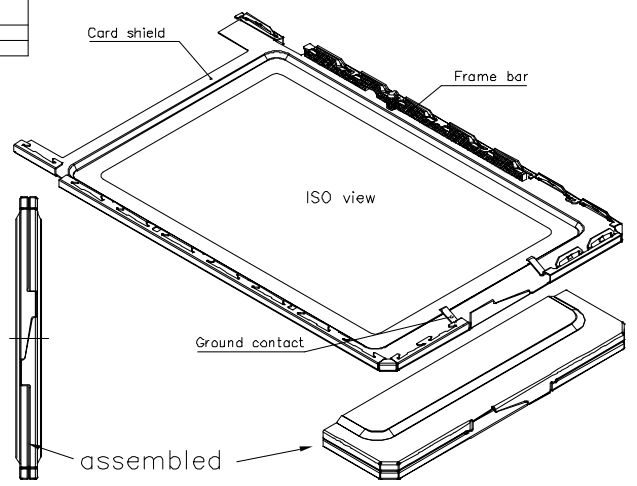
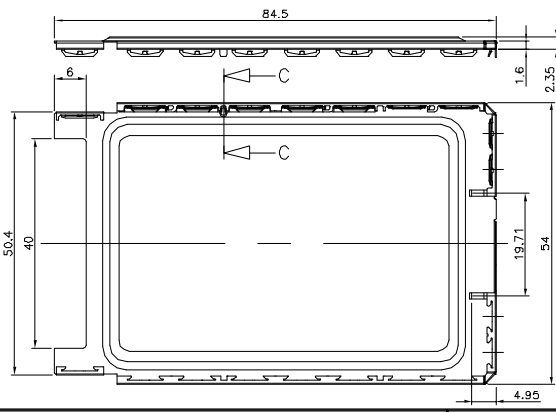
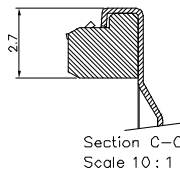


Version: Insulator
(thickness 0.07 mm)

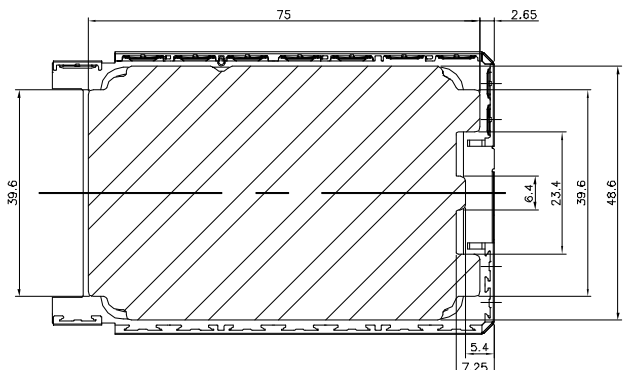
MatL code	surface	tolerance	projection	product family					
ltr	ecm	no	dr	date	ISO 1802	ISO 46	ISO 10	ISO 10	ISO 10
A	F80195	OCA	98.04.08						
B	F90233	DLE	99.08.04	Linear					
C	F10914	DLE	01.09.07						
D	F05-024	DLE	06.09.26	dr	H VEREUKEN	06.02.12			
E	F08-0136	DLE	06.02.27	enat	F. HAUTER	99.05.04			
F	F08-0248	DLE	06.07.28	enr	D. LESIRANO	99.05.04			
					RPPE F. HAUTER	99.05.04			

title	ROCARD SHIELD
product family	PCMCIA
type	TYPE I, CLOSED END
scale	2:1
unit	mm
dwg no	83808
sheet 9 of - size	Az
type	CUSTOMER Drawing

Product number	Insulator	Label recess	Product number	Packaging
83808-20001LF	no	no	83808-xxxxLF	1000 Rocard Shield/Box
83808-20011LF	yes	no	83808-xxxxSLF	200 Rocard Shield/Box
83808-20101LF	no	yes		
83808-20111LF	yes	yes		



Version: Label recess
(maximum label thickness 0.07 mm)



Version: Insulator
(thickness 0.07 mm)

MatL code	surface	tolerance	projection	product family
lit	ecm	no	dr	date
A	FR0655	04E	88.10.25	
B	FR0709	04E	00.01.19	
C	FR0814	04E	01.09.07	
D	FR080254	04E	06.09.26	DR
E	FR080136	04E	06.09.27	ENG
F	FR080348	04E	06.07.28	EN
				FR
sheet	revision	index	sheet	

title	product family
ROCARD SHIELD	PCMCIA
TYPE II, CLOSED, CARBUS	
dwg no	sheet 10 of - size
83808	Az
type	CUSTOMER Drawing