

Extraction Tool Assembly 1804030-1

PROPER USE GUIDELINES

Cumulative Trauma Disorders can result from the prolonged use of manually powered hand tools. Hand tools are intended for occasional use and low volume applications.

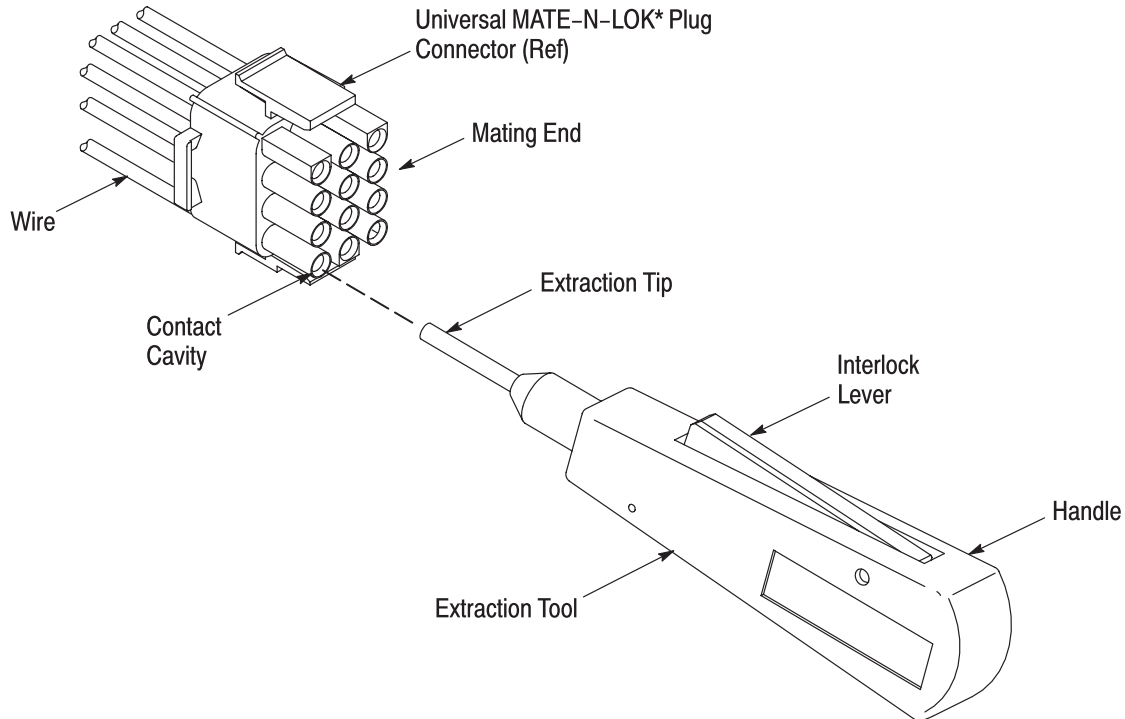



Figure 1

1. INTRODUCTION

Extraction Tool 1804030-1 is designed to remove pin and socket contacts from Universal MATE-N-LOK connectors (refer to Instruction Sheet 408-7714) and Universal MATE-N-LOK II connectors (refer to Instruction Sheet 408-3200).

NOTE  Dimensions in this instruction sheet are in millimeters [with inches in brackets]. Figures and illustrations are for reference only and are not drawn to scale.

2. DESCRIPTION

The extraction tool features an extraction tip, an interlock lever, and handle. The extraction tip is designed to enter the contact cavity at the mating face of connector and release the contact from the connector. When the extraction tip is bottomed, and the handle is pushed toward the connector, a plunger within the handle pushes the contact free from the connector.

3. EXTRACTION PROCEDURE

1. For the Universal MATE-N-LOK connector, grasp the wire of the contact to be removed, and push it toward the mating end of the connector to release the contact locking lances. Hold in place. For the Universal MATE-N-LOK II connector, move the rear housing latch to the pre-stage position.
2. Depress, and hold the interlock lever. Insert the extraction tip into the contact cavity of the contact to be removed, and slide it over the contact. Refer to Figure 1.
3. For the Universal MATE-N-LOK connector, (while pushing the wire toward the tool) continue to insert the extraction tip until it bottoms. For the Universal MATE-N-LOK II connector, continue to insert the extraction tip until it rests on the retention shoulder of the contact.
4. Release the interlock lever, and push the tool handle FULLY; thereby, pushing the contact slightly out of the wire end of the connector.

5. Pull the wire until the contact is out of the connector.



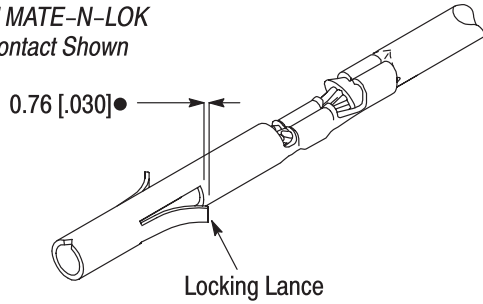
If the extracted contact is NOT damaged, it may be re-inserted. For a contact removed from a Universal MATE-N-LOK connector, the locking lances MUST be reset to their original position as shown in Figure 2. DO NOT re-use a defective or damaged contact.

4. MAINTENANCE AND INSPECTION

The extraction tool should conform to the dimensions given in Figure 3. It is recommended that the tool be inspected upon arrival and at regularly scheduled intervals thereafter to ensure that the tool has not become damaged during handling.

For customer repair service, call 1-800-526-5136.

Universal MATE-N-LOK
Socket Contact Shown



●For pin part number 1954443-1, this dimension is 0.53 mm [.021 in.].

5. REPLACEMENT AND REPAIR

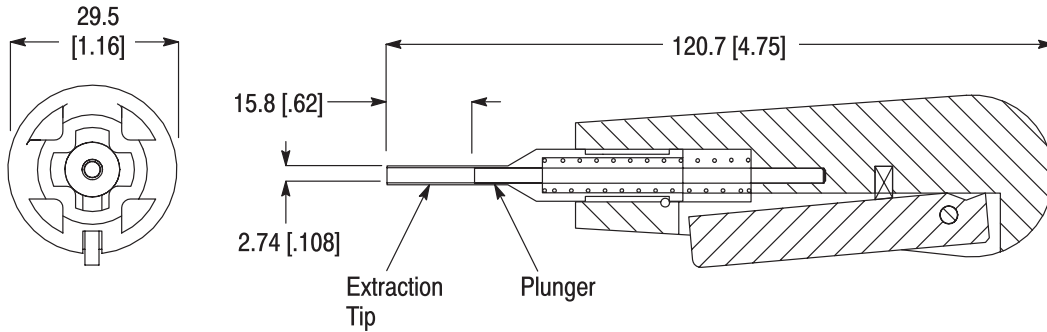
Order replacement extraction tools through your representative, or call 1-800-526-5142, or send a facsimile of your purchase order to 717-986-7605, or write to:

CUSTOMER SERVICE (038-035)
TYCO ELECTRONICS CORPORATION
PO BOX 3608
HARRISBURG PA 17105-3608

6. REVISION SUMMARY

- Updated document to corporate requirements
- Added new text to Figure 2

Figure 2



Weight: 54.4 g [1.92 oz]

Figure 3