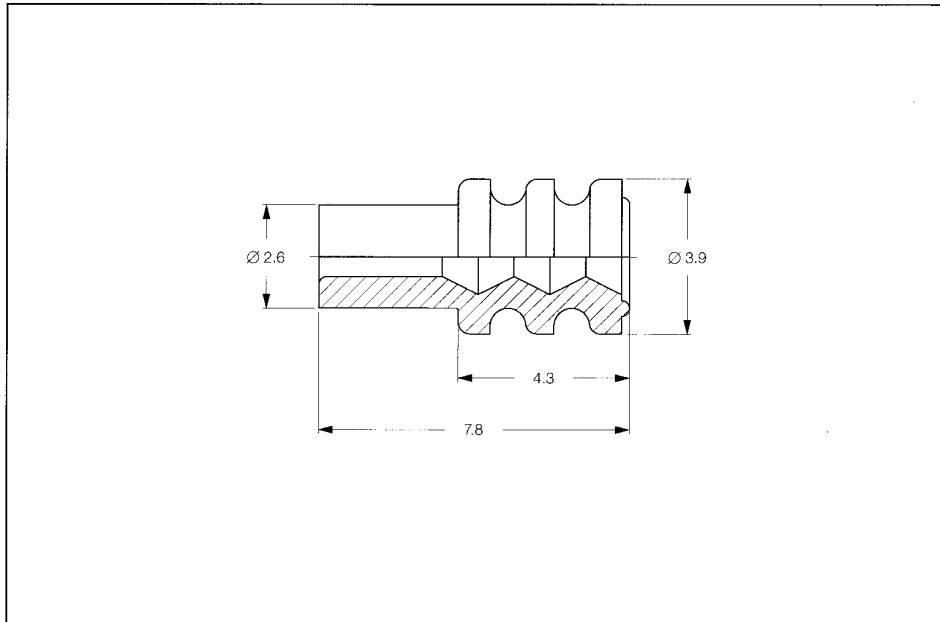


Single Wire Seals and Cavity Plugs

**Single Wire Seals
and Cavity Plugs
for AMP MCP 1.5K
Contact System
(Cavity Diameter 3.6 mm)**



Insulation Diameter (mm)	Color	Part Number	Package Quantity
0.9-1.2	Green	1718705-1	10,000
1.2-1.6	Red	964971-1	10,000
1.4-1.9	Grey	963530-1	10,000
1.9-2.3	Yellow	964972-1	10,000
Cavity Plug	White	963531-1	10,000

