



## AS85049/88, AS85049/89, and AS85049/90 Banding Backshells

**Glenair Connector  
Designator H**

**MIL-DTL-38999  
Series III & IV,  
EN3645**

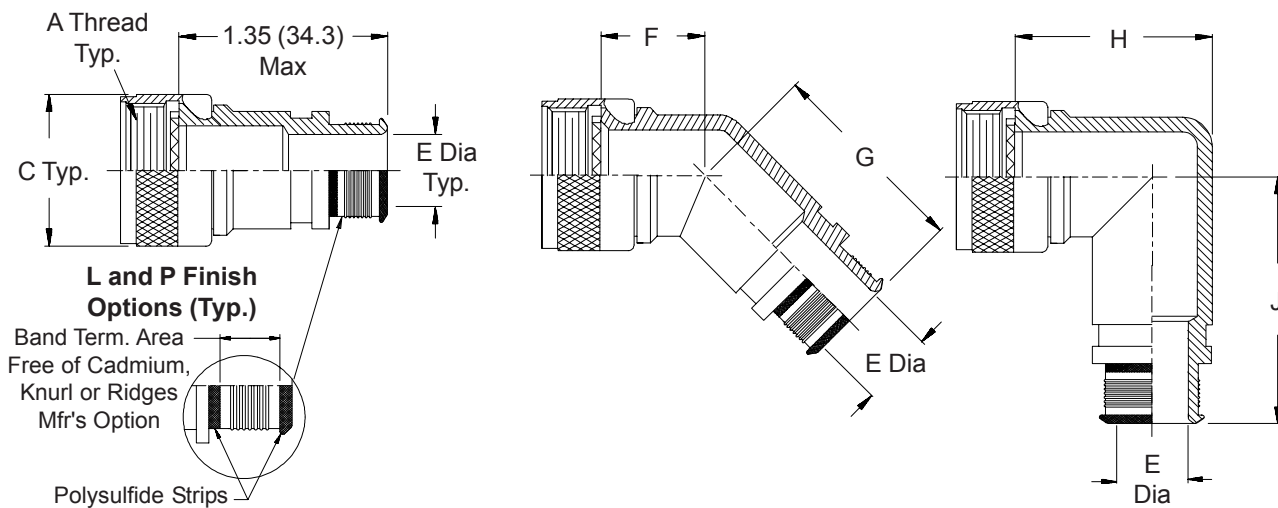
**M85049/88-17 P 02**

Basic Part No.: \_\_\_\_\_  
 M85049/88 = Straight  
 M85049/89 = 45°  
 M85049/90 = 90°

Entry Size \_\_\_\_\_  
 Finish and Material \_\_\_\_\_

Shell Size \_\_\_\_\_

### Self Locking Coupling



**TABLE I**

Shell Size	A Thread Class 2B	C Dia Max	E Dia Cable Entry				F Max	G Max	H Max	J Max
			Size 02		Size 03					
			±.010	(.3)	±.010	(.3)				
9	M12 X 1 - 6H	.86 (21.8)	N/A	.250 (6.4)	1.01 (25.7)	1.16 (29.5)	1.375 (34.9)	1.417 (36.0)		
11	M15 X 1 - 6H	.99 (25.1)	N/A	.312 (7.9)	1.03 (26.2)	1.19 (30.2)	1.437 (36.5)	1.480 (37.6)		
13	M18 X 1 - 6H	1.16 (29.5)	.312 (7.9)	.438 (11.1)	1.06 (26.9)	1.21 (30.7)	1.562 (39.7)	1.553 (39.4)		
15	M22 X 1 - 6H	1.28 (32.5)	.438 (11.1)	.562 (14.3)	1.08 (27.4)	1.24 (31.5)	1.687 (42.8)	1.614 (41.0)		
17	M25 X 1 - 6H	1.41 (35.8)	.500 (12.7)	.625 (15.9)	1.11 (28.2)	1.26 (32.0)	1.750 (44.5)	1.678 (42.6)		
19	M28 X 1 - 6H	1.52 (38.6)	.625 (15.9)	.750 (19.1)	1.12 (28.4)	1.27 (32.3)	1.875 (47.6)	1.733 (44.0)		
21	M31 X 1 - 6H	1.64 (41.7)	.625 (15.9)	.812 (20.6)	1.15 (29.2)	1.30 (33.0)	1.938 (49.2)	1.796 (45.6)		
23	M34 X 1 - 6H	1.77 (45.0)	.688 (17.5)	.938 (23.8)	1.17 (29.7)	1.33 (33.8)	2.062 (52.4)	1.859 (47.2)		
25	M37 X 1 - 6H	1.89 (48.0)	.750 (19.1)	1.000 (25.4)	1.20 (30.5)	1.35 (34.3)	2.125 (54.0)	1.919 (48.7)		

1. For complete dimensions see applicable Military Specification.

2. Metric dimensions (mm) are indicated in parentheses.

**TABLE II**

Finish Option	Finish Option	Finish
Aluminum Material	Composite Material	
G	Not Available	Electroless Nickel (Space Grade)
N	M	Electroless Nickel
P	L	Cadmium Olive Drab Over Electroless Nickel with Polysulfide Sealant Strips
W	J	1,000 Hour Cadmium Olive Drab Over Electroless Nickel