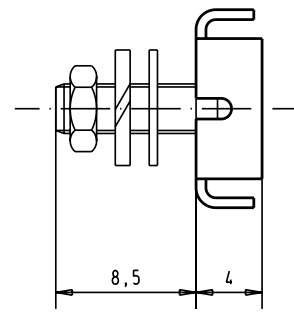
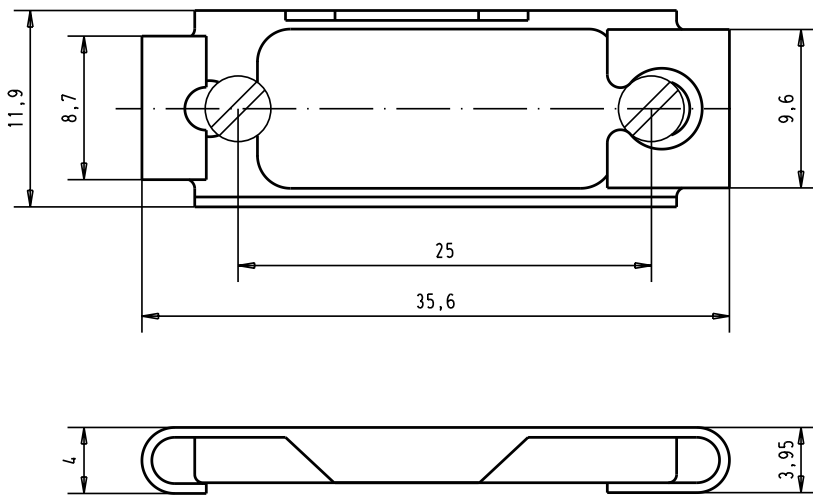




Alle Rechte vorbehalten/ All rights reserved



					Del.	Name	 All Dim. in mm Orig. Size DIN A 4	Slide locking device 9 poles corrosion resistant steel	Maßstab/ Scale 3:1	
					Detail.	28-MAR-02				CV
					Insp.					
					Stand.					
					HARTING EURL F-95972 Paris		 Sub.	TB 09670009914	Blatt/ Page 1 /	
09 67 000 9914		29760	28-MAR-02	CV						
Part number		Mod.	Del.	Name						